



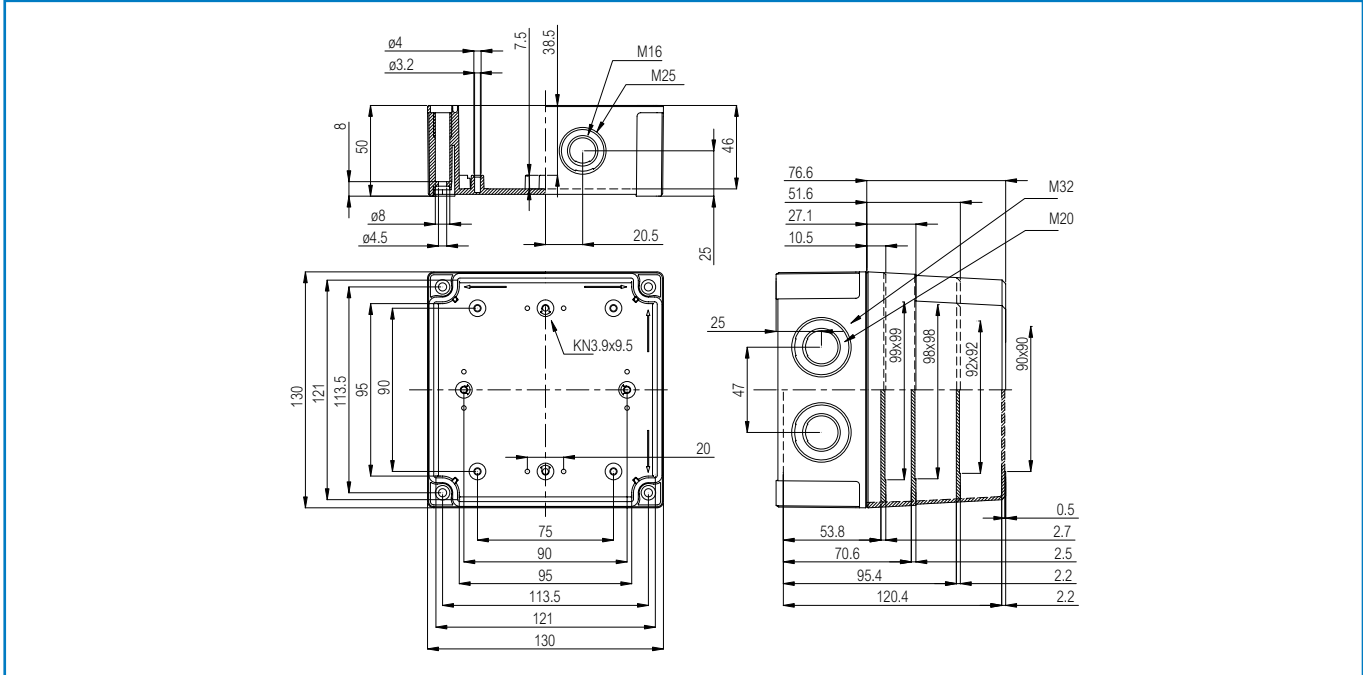
Sample photo

Order symbol: PCM 125/75 G
Product nbr: 6016308
Description: Enclosure, PC
Remarks: Grey cover

EAN: 6418074038043
EI. number:
 Finland 3421636
 Denmark 8212027080
 Italy 7341027
 Sweden 2535315

Including: Base with metric knock-outs and TPE gasket and screws for mounting plate/DIN-rail, cover with polyamide cover screws and wing heads for cover screws.

Dimensions:				Rating:	
	L	W	H		
mm:	130	130	75	Ingress Protection (EN 60529): IP 66/67	
inch:	5.1	5.1	3	Impact Resistance (EN 50102): IK 08	
Materials:				Electrical insulation: Totally insulated	
Material:	PC			Halogen free (DIN/VDE 0472, Part 815): Yes	
Base colour:	RAL 7035			UV resistance: UL 508	
Cover colour:	RAL 7035			Flammability Rating (UL 746 C 5): UL 94 5V	
Cover screws material:	Polyamide			Glow Wire Test (IEC 695-2-1) °C: 960	
Cover screws colour:	Grey			NEMA Class: NEMA 1, 4, 4X, 6	
Gasket material:	TPE			Certificates:	
Temperatures:				Germanischer Lloyd (GL)	
Short term:	-40 ... 120 °C			Underwriters Laboratories	
Continuous:	-40 ... 80 °C			Det Norske Veritas	
Short term:	-40 ... 250 °F			Fimko	
Continuous:	-40 ... 175 °F			Europe EN 50298 1998	
Accessories:				UL Canada	
MIV 125	Mounting plate			Gost R	
MIN 10	DIN-15 Mounting rail				
MIV 10	DIN-35 Mounting rail				
FP A 125/130	Front plate				
HFP 130	Front plate hinge series				



(c) Fibox OY, Data subject to change without notice