

LCD display 80 mm

Part no.

MFD-80

Article no.

265250



Graphics display: 132 × 64 pixels with switchable backlight

Customized laser inscription, MFD-Combination-* possible → 265260

Switchable Status-LED

IP65, removable titanium front frame

Delivery programme

Description			Without keypad, with Moeller logotype NEMA 4x
-------------	--	--	--

General

Standards			EN 61000-6-1/-2/-3/-4, IEC 60068-2-6, IEC 60068-2-27
Weight		kg	0.13
Mounting			2 × 22.5 mm, display fixed with 2 fixing rings. Wall thickness: without top-hat rail (CPU) 1 – 6 mm with top-hat rail 1 – 4 mm

Climatic environmental conditions

Operating ambient temperature		°C	-25 to 55, cold as per IEC 60068-2-1, heat as per IEC 60068-2-2
Condensation			Take appropriate measures to prevent condensation
LCD display (clearly legible)		°C	-5 - 50 - (-10 to 0 when background lighting is switched on (continuous operation))
Storage		°C	-40 - 70
Relative humidity, non-condensing (IEC/EN 60068-2-30)		%	5 - 95
Air pressure (operation)		hPa	795 - 1080

Ambient conditions, mechanical

Pollution degree			3
Protection type (IEC/EN 60529, EN50178, VBG 4)			IP65
Vibrations (IEC/EN 60068-2-6)		Hz	
Constant amplitude 0.15 mm		Hz	10 - 57
Constant acceleration 2 g		Hz	57 - 150
Mechanical shock resistance (IEC/EN 60068-2-27) semi-sinusoidal 15 g/11 ms		Impacts	18
Drop to IEC/EN 60068-2-31	Drop height	mm	50
Free fall, packaged (IEC/EN 60068-2-32)		m	1
Mounting position			Vertical

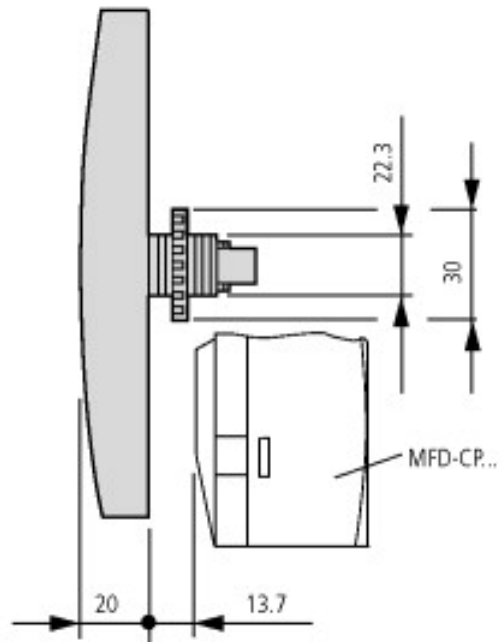
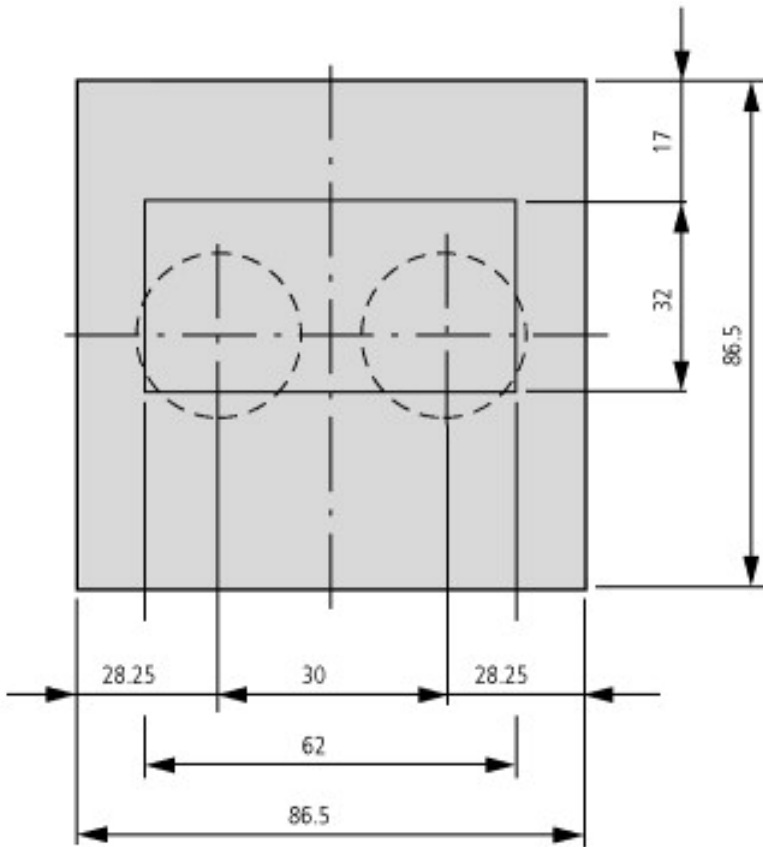
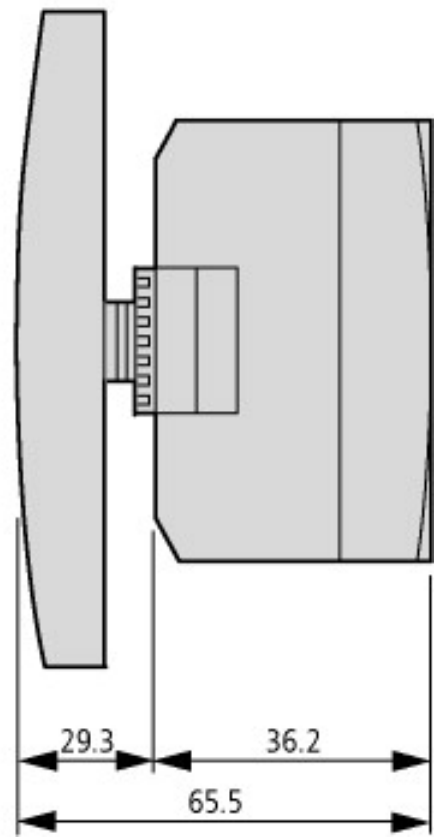
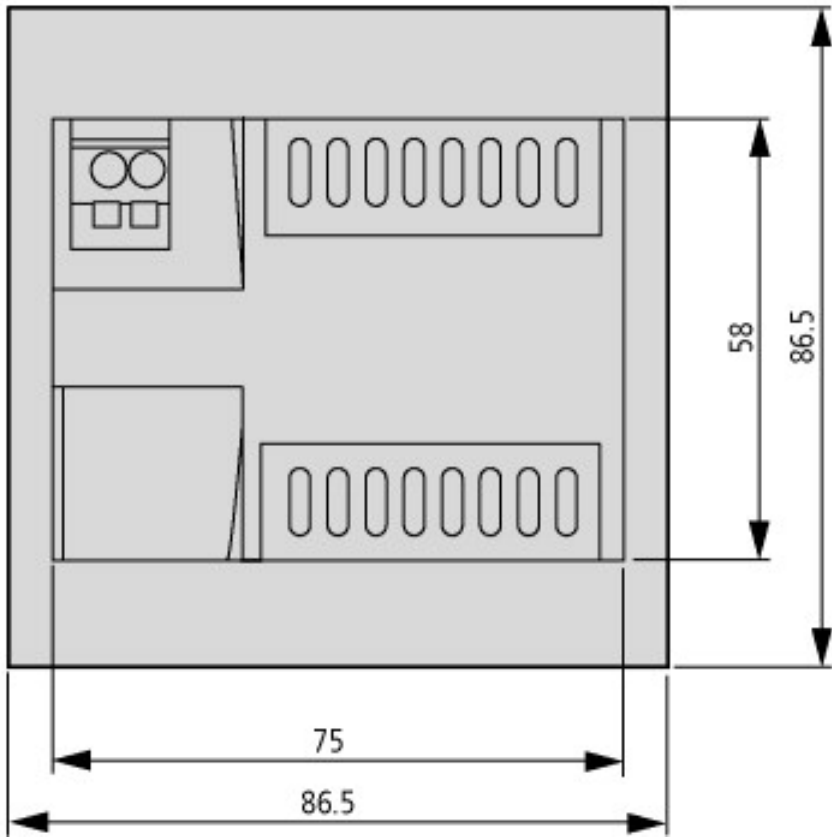
Electromagnetic compatibility (EMC)

elektrostatistische Entladung (ESD), nach IEC EN 61000-4-2		kV	
Air discharge		kV	8
Contact discharge		kV	6
Electromagnetic fields (RFI), to IEC EN 61000-4-2		V/m	10
Radio interference suppression			EN 55011 Class B, EN 55022 Class B
Burst, to IEC/EN 61000-4-4			
Supply cables		kV	2
Signal lines		kV	2
High-energy pulses (surge) (IEC/EN 61000-4-5)		kV	2 (supply cables, symmetrical)
Power pulses (surge), to IEC/EN 61000-4-5		kV	0.5 (supply cables, symmetrical)
Radiated RFI, to IEC/EN 61000-4-6		V	10

Insulation resistance

Clearance in air and creepage distances			EN 50178, UL 508, CSA C22.2, No. 142
Insulation resistance			EN 50178

Dimensions



Additional product information (links)

Installation instructions

AWA2528-2019 multi-function display, control relay easy

ftp://ftp.moeller.net/DOCUMENTATION/AWA_INSTRUCTIONS/20190608.pdf

AWA2528-2175 power supply unit/communication module

ftp://ftp.moeller.net/DOCUMENTATION/AWA_INSTRUCTIONS/21751109.pdf

AWA2528-2174 Protective membrane for Multi-Function-Display

ftp://ftp.moeller.net/DOCUMENTATION/AWA_INSTRUCTIONS/21740604.pdf

Manual

