

Modulostar® CMS10

Modular fuse-holders

FUSE HOLDERS, FUSE BASES AND SUPPORTS

IEC CYLINDRICAL FUSE HOLDERS



The innovative and comprehensive Modulostar® range of Mersen fuse-holders. Modular fuse-holders are finger-safe under IEC standards to an IP20 grade of protection, including fuse changing (with the flick of a finger). Modular fuse-holders are available in 1, 2, 3 or 4 poles, with or without visual blown fuse indicator, in IEC version or IEC + UL version. Multi-pole units can also be field assembled by ordering pin-ties assembly kit. Modulostar® range is made of tough and durable thermoplastic or thermoset material.

TECHNICAL DATA OVERVIEW

Voltage AC	690 VAC
Voltage DC	690 VDC
Amper (A)	32 A
SCCR	200kA
Mounting	Installation on to DIN rails to EN 60715
Product Size	For cylindrical fuse links 10.3x38.1 aM, gG and 10.3x38 Mersen Protistor® and HP6M fuse-links
Number of Poles	1 to 4 poles

FEATURES & BENEFITS

- Finger safe
- Degree of protection: IP20
- Optional visual blown fuse indicator
- DIN rail mounting
- Modular design
- Lockable
- Multi-pole assembly kit available
- Sealable in closed and open position
- Plastic material UL94V2 mini
- Flame retardant materials with glow wire flammability index to 960°C
- Shock and vibration tested for marine and railway applications

APPLICATIONS

- All circuits up to 690V for protection of motors, transformers, low voltage distribution, control circuits, drive protection
- Non-load operation

STANDARDS

- IEC 60269-2 and IEC 60947-3 Compliance
- RoHS Compliant
- Plastic material: NF 16101 & 16102 Requirement 2 Compliant



MERSEN reserves the right to change, update or correct, without notice, any information contained in this datasheet.

PRODUCT RANGE



CMS101



CMS102



CMS103



CMS103N



CMS101I

Modulostar® fuse-holders for 10,3x38,1 fuse-links, without indicator

Catalog number	Reference number	Number of poles/ phases	Design	Weight	Package
CMS810N	D305006	N	CMS10 neutral conductor	65.8 g	12
CMS101	T305020	1	CMS10 single pole	61.3 g	12
CMS101N	V305021	1 + N	CMS10 single pole + neutral conductor	0.1316 kg	6
CMS102	W305022	2	CMS10 double pole	0.1216 kg	6
CMS103	X305023	3	CMS10 triple pole	0.1975 kg	4
CMS103N	Y305024	3 + N	CMS10 triple pole + neutral conductor	0.2633 kg	3
CMS104	Z305025	4	CMS10 quadruple pole	0.2433 kg	3

Modulostar® fuse-holders for 10,3x38,1 fuse-links, with indicator

Catalog number	Reference number	Number of poles/ phases	Design	Weight	Package
CMS101I	A305026	1	CMS10 single pole	60.8 g	12
CMS101NI	B305027	1 + N	CMS10 single pole + neutral conductor	0.1316 kg	6
CMS102I	C305028	2	CMS10 double pole	0.1216 kg	6
CMS103I	D305029	3	CMS10 triple pole	0.1825 kg	4
CMS103NI	E305030	3 + N	CMS10 triple pole + neutral conductor	0.2633 kg	3
CMS104I	F305031	4	CMS10 quadruple pole	0.2433 kg	3

TECHNICAL DATA

	CMS10	CMS10I
Size	10x38	10x38
Number of poles/phases	1, 1+N, 2, 3, 3+N, 4	1, 1+N, 2, 3, 3+N, 4
Conventional free air thermal current with fuse links I _{th}	32 A	32 A
Power dissipation at I _{th}	3 W	3 W
Utilisation category	AC20B/DC20B	AC20B/DC20B
Rated insulation voltage U _i	690 V	690 V
SCCR	200 kA	200 kA
Rated impulse withstand voltage U _{imp}	6 kV	6 kV
Degree of protection	IP 20	IP 20
Voltage limit for blown fuse indicator	-	230 to 690V AC/DC
Indication System	-	with indicator
Connection	Max. tightening torque: 2.2Nm (19lbs.-in) Rigid wire = 1-16mm ² (16-6AWG) Multistrand wire = 0.75-10mm ² (18-8AWG) PZ2 or flat 5.5x1mm screw drivers recommended (max. diameter 6mm)	Max. tightening torque: 2.2Nm (19lbs.-in) Rigid wire = 1-16mm ² (16-6AWG) Multistrand wire = 0.75-10mm ² (18-8AWG) PZ2 or flat 5.5x1mm screw drivers recommended (max. diameter 6mm)
Operating temperature	-25°C to 60°C	-25°C to 60°C
Storage temperature	-25°C to 80°C	-25°C to 80°C
Vibration	Withstand on the 3 main axis*: Sinusoidal vibration testing according to IEC 60068-2-6 2 to 13Hz x= 1 mm peak 13 to 100Hz y= 0.7g peak according to french marine application Random vibration testing according to IEC 61373 Category 1 Class B	Withstand on the 3 main axis*: Sinusoidal vibration testing according to IEC 60068-2-6 2 to 13Hz x= 1 mm peak 13 to 100Hz y= 0.7g peak according to french marine application Random vibration testing according to IEC 61373 Category 1 Class B
Shock	Shock testing according to IEC 61373 Category 1 Class B Shock testing according to IEC 60068-2-27 15g/11ms/18 shocks * for specific usage please contact us	Shock testing according to IEC 61373 Category 1 Class B Shock testing according to IEC 60068-2-27 15g/11ms/18 shocks * for specific usage please contact us

SPECIFIC USAGE CONDITIONS

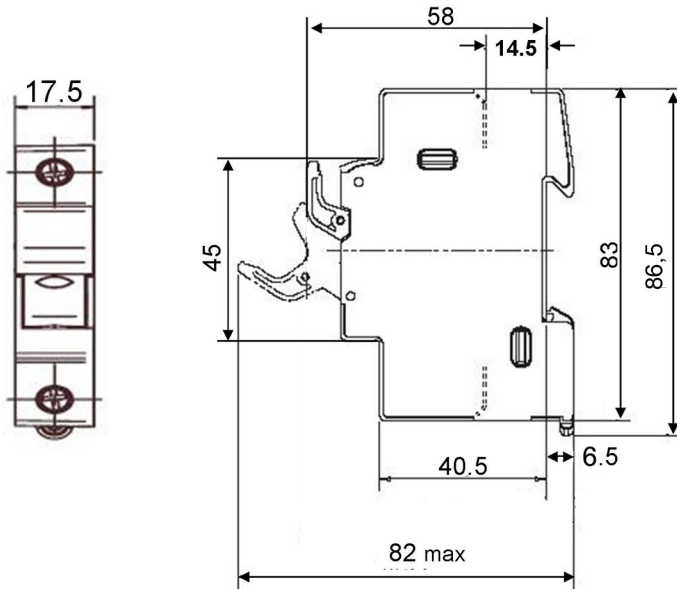
Ambient temperature	>20°C	30°C	40°C	50°C	60°C
Derating factor (I _e)	1	0.95	0.9	0.8	0.7

No of poles (side by side)	1 to 3	>= 4
Derating factor of current (I _{th})	1	0.9

Nominal current of fuse-link gR	20 A	25 A	30 A	32 A
Max. operational current in fuse-holder	19 A	22 A	25 A	27 A
Cable wire section	2.5 mm ²	4 mm ²	6 mm ²	6 mm ²

DIMENSIONS

Modulostar® CMS10 fuse-holders for cylindrical fuse-links class 10x38mm



Dimensions in mm

ACCESSORIES



CMS8010PAK + fuse-holder

Kit for multi phase connection

Catalog number	Reference number	Description	Weight	Package
CMS810PAK	Z233725	Links for connection of multipole units	0.5 g	12



TAGLOCKCMS810

LOCK

Locking devices

Catalog number	Reference number	Description	Weight	Package
TAGLOCKCMS810	A235773	Locking kit (Tag and lockout)	9 g	1
LOCK	M223525	Padlock	0.475 kg	1

MERSEN reserves the right to change, update or correct, without notice, any information contained in this datasheet.

ACCESSORIES



TBB1A



TBB1C



TBB23A

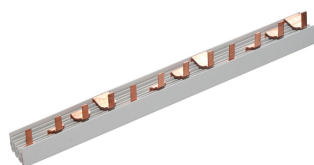


TBB23C

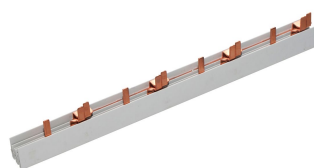
Power supply

Catalog number	Reference number	Description	Application	Weight	Package
TBB1A	D210315	1 phase axial incoming power supply	Max. rms current 90A	10.1 g	50
TBB1C	E210316	1 phase lateral incoming power supply	Max. rms current 90A	10 g	50
TBB23A	F210317	2 & 3 phases axial incoming power supply	Max. rms current 90A	23.3 g	50
TBB23C	G210318	2 & 3 phases lateral incoming power supply	Max. rms current 90A	23.1 g	50

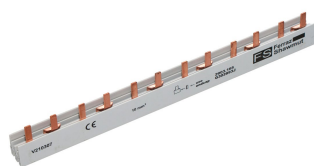
Wiring bars / Insulated bus bars



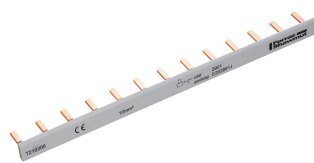
CMS810BB4F3



CMS810BB3F4



CMS810BB2F6



CMS810BB1F13

Catalog number	Reference number	Description	Application	Weight	Package
CMS810BB4F3	X210309	quadruple pole, 10 mm ² , partition 17,5 mm (distance of poles), peg design, L-shaped	Max. rms current 100A, for installation of 3 modules	120 g	10
CMS810BB3F4	W210308	triple pole, 10 mm ² , partition 17,5 mm (distance of poles), peg design, L-shaped	Max. rms current 100A, for installation of 4 modules	84 g	10
CMS810BB2F6	V210307	double pole, 10 mm ² , partition 17,5 mm (distance of poles), peg design, L-shaped	Max. rms current 63A, for installation of 6 modules	80 g	10
CMS810BB1F13	T210306	single pole, 10 mm ² , partition 17,5 mm (distance of poles), peg design, L-shaped	Max. rms current 63A, for installation of 13 modules	33.5 g	10