



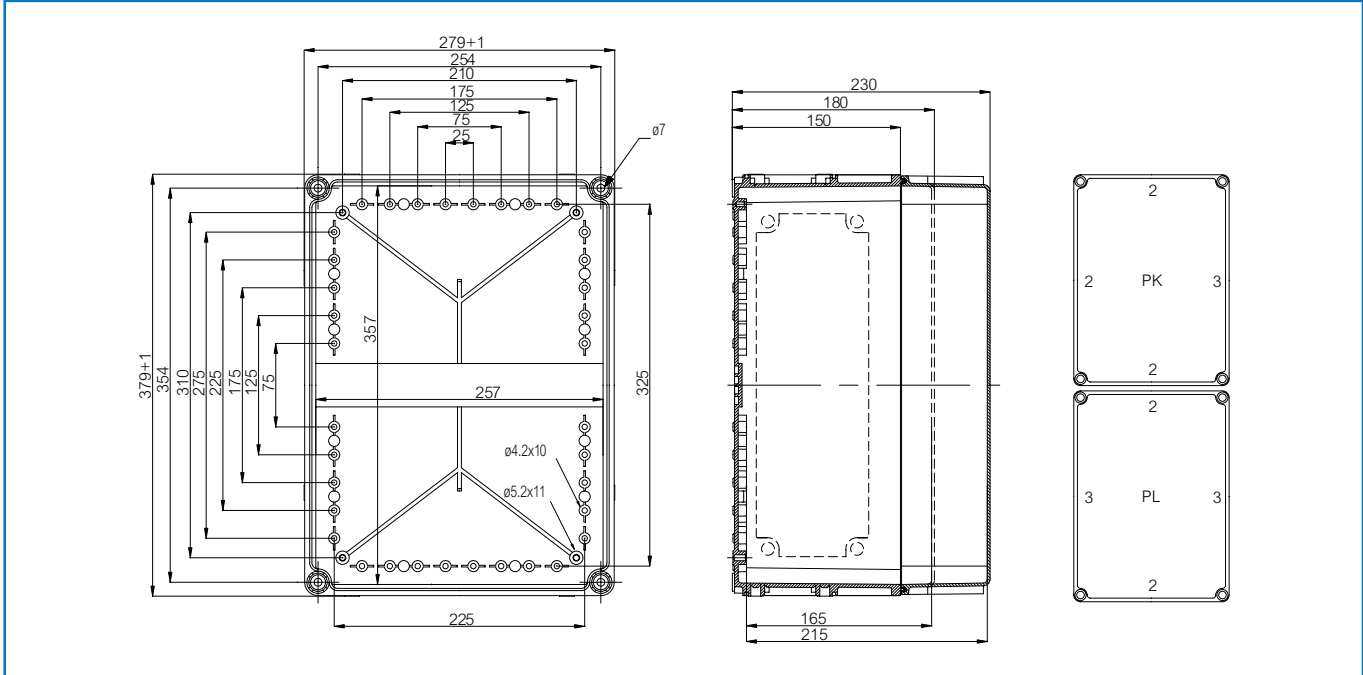
Sample photo

**Order symbol:** EKP 230 G  
**Product nbr:** 2538058  
**Description:** Enclosure, PC  
**Remarks:** Grey cover

**EAN:** 6418074013637  
**EI. number:**  
 Finland 3425428  
 Italy 7501155D  
 Sweden 2538058

**Including:** Flanged Base with screws for mounting plate/DIN-rail, cover with PUR gasket and polyamide cover screws.

Dimensions:		L	W	H	Rating:
mm:		380	280	230	<b>Ingress Protection (EN 60529):</b> IP 66/67
inch:		15	11	9.1	<b>Impact Resistance (EN 50102):</b> IK 08
Materials:					
<b>Material:</b>		PC			
<b>Base colour:</b>		RAL 7035			
<b>Cover colour:</b>		RAL 7035			
<b>Cover screws material:</b>		Polyamide			
<b>Cover screws colour:</b>		Grey			
<b>Gasket material:</b>		Polyurethane			
Temperatures:					
<b>Short term:</b>		-40 ... 120 °C			
<b>Continuous:</b>		-40 ... 80 °C			
<b>Short term:</b>		-40 ... 250 °F			
<b>Continuous:</b>		-40 ... 175 °F			
Accessories:		EKPVT Mounting plate			
EKV 22		DIN-35 Mounting rail			
EKV 32		DIN-35 Mounting rail			
EKPZR		Extension frame			
					Certificates:
					Germanischer Lloyd (GL)
					Underwriters Laboratories
					Det Norske Veritas
					Bureau Veritas
					Fimko
					Lloyds Register of Shipping (LR)
					Europe EN 50298 1998
					UL Canada
					Gost R



(c) Fibox OY, Data subject to change without notice