

Standard auxiliary contact, 1N/O+1N/C, screw connection

**Part no.** NHI11-PKZ0  
**Catalog No.** 072896  
**Eaton Catalog No.** XTPAXSA11  
**EL-Nummer** 0004355131  
**(Norway)**

**Delivery program**

Product range		Accessories
Accessories		Standard auxiliary contact
<b>Contacts</b>		
N/O = Normally open		1 N/O
N/C = Normally closed		1 NC
Contact diagram		
Contact sequence		
Connection technique		Screw terminals
For use with		PKZ0(4) standard auxiliary contacts
For use with		PKZM01 PKZM0 PKZM4 PKZM0-T PKM0 PKE
<p><b>Notes</b> Can be fitted to the right of:                  Motor protective circuit-breaker                  Transformer-protective circuit-breaker                  Motor protective circuit breaker for starter combinations                  Cannot be used for motor starter combinations type MSC-R...                  can be combined with AGM, NHI-E ...</p>		

**Technical data**

**Auxiliary contacts**

Rated impulse withstand voltage	$U_{imp}$	V AC	6000	
Overvoltage category/pollution degree			III/3	
Rated operational voltage	$U_e$	V		
	$U_e$	V AC	500	
	$U_e$	V DC	250	
Safe isolation to EN 61140				
Between auxiliary contacts and main contacts		V AC	690	
Rated operational current	$I_e$	A		
	AC-15			
	220 - 240 V	$I_e$	A	3.5
	380 - 415 V	$I_e$	A	2
	440 V 500 V	$I_e$	A	1
	DC-13 L/R - 100 ms			

24 V	$I_e$	A	2
60 V	$I_e$	A	1
110 V	$I_e$	A	0.5
220 V	$I_e$	A	0.25
Lifespan		S	
Lifespan, mechanical	Operations	$\times 10^6$	> 0.1
Lifespan, electrical	Operations	$\times 10^6$	0.05
Control circuit reliability	Failure rate	$\lambda$	$<10^{-8}$ , < one failure at 100 million operations (at $U_e = 24$ V DC, $U_{min} = 17$ V, $I_{min} = 5.4$ mA)
interlocked opposing contacts			yes
Short-circuit rating without welding			
Fuseless		Type	FAZ-B4/1-HI
Fuse		A gG/gL	10

### Terminal capacities

Solid or flexible conductor, with ferrule		$\text{mm}^2$	0,75 - 2,5
Solid or stranded		AWG	18 - 14

### Rating data for approved types

Pilot Duty			
AC operated			A600
DC operated			Q300
General Use			
AC		V	600
AC		A	5
DC		V	250
DC		A	1

### Design verification as per IEC/EN 61439

Technical data for design verification			
Rated operational current for specified heat dissipation	$I_n$	A	3.5
Heat dissipation per pole, current-dependent	$P_{vid}$	W	0.04
Equipment heat dissipation, current-dependent	$P_{vid}$	W	0
Static heat dissipation, non-current-dependent	$P_{vs}$	W	0
Heat dissipation capacity	$P_{diss}$	W	0
Operating ambient temperature min.		°C	-25
Operating ambient temperature max.		°C	55
IEC/EN 61439 design verification			
10.2 Strength of materials and parts			
10.2.2 Corrosion resistance			
10.2.3.1 Verification of thermal stability of enclosures			Meets the product standard's requirements.
10.2.3.2 Verification of resistance of insulating materials to normal heat			Meets the product standard's requirements.
10.2.3.3 Verification of resistance of insulating materials to abnormal heat and fire due to internal electric effects			Meets the product standard's requirements.
10.2.4 Resistance to ultra-violet (UV) radiation			Meets the product standard's requirements.
10.2.5 Lifting			Does not apply, since the entire switchgear needs to be evaluated.
10.2.6 Mechanical impact			Does not apply, since the entire switchgear needs to be evaluated.
10.2.7 Inscriptions			Meets the product standard's requirements.
10.3 Degree of protection of ASSEMBLIES			Does not apply, since the entire switchgear needs to be evaluated.
10.4 Clearances and creepage distances			Meets the product standard's requirements.
10.5 Protection against electric shock			Does not apply, since the entire switchgear needs to be evaluated.
10.6 Incorporation of switching devices and components			Does not apply, since the entire switchgear needs to be evaluated.
10.7 Internal electrical circuits and connections			Is the panel builder's responsibility.
10.8 Connections for external conductors			Is the panel builder's responsibility.
10.9 Insulation properties			
10.9.2 Power-frequency electric strength			Is the panel builder's responsibility.
10.9.3 Impulse withstand voltage			Is the panel builder's responsibility.

10.9.4 Testing of enclosures made of insulating material			Is the panel builder's responsibility.
10.10 Temperature rise			The panel builder is responsible for the temperature rise calculation. Eaton will provide heat dissipation data for the devices.
10.11 Short-circuit rating			Is the panel builder's responsibility. The specifications for the switchgear must be observed.
10.12 Electromagnetic compatibility			Is the panel builder's responsibility. The specifications for the switchgear must be observed.
10.13 Mechanical function			The device meets the requirements, provided the information in the instruction leaflet (IL) is observed.

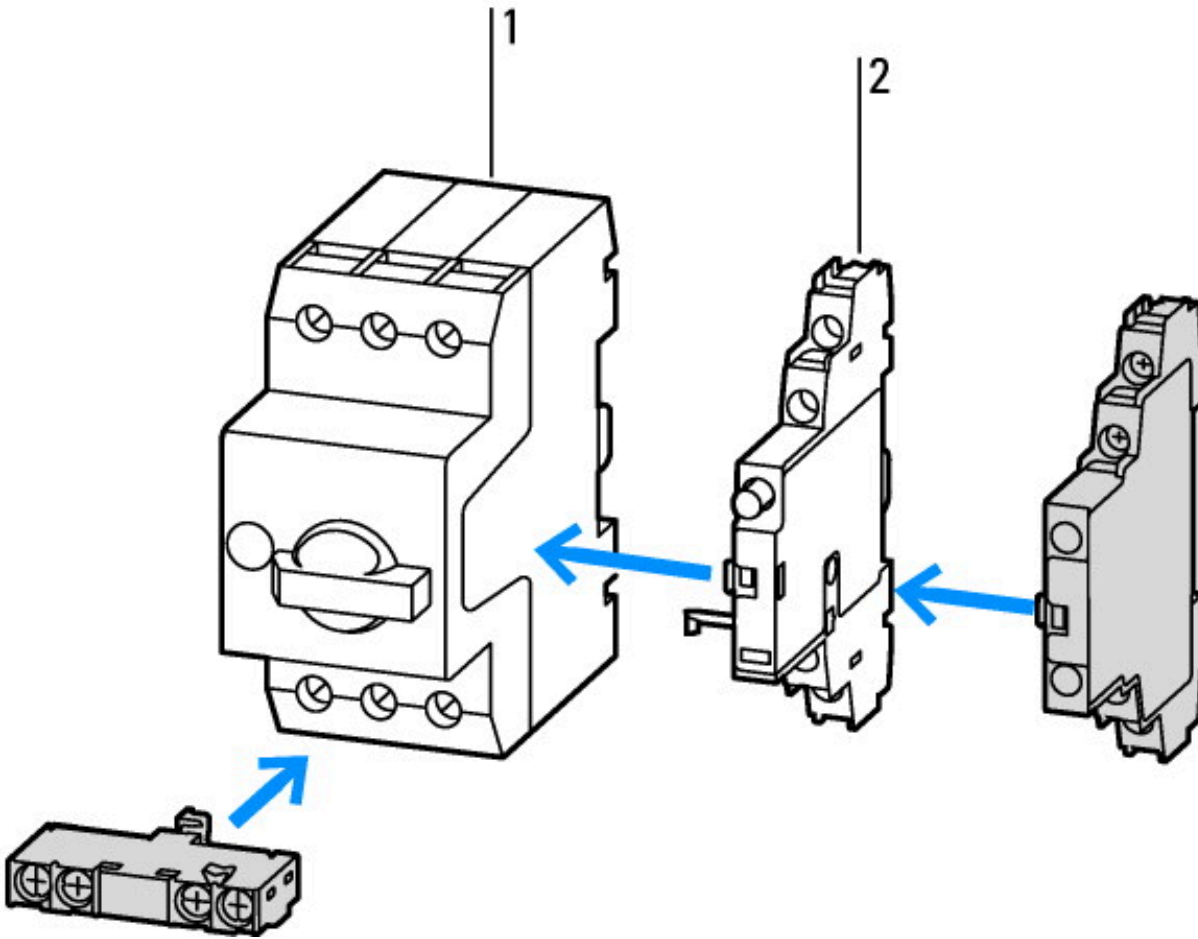
## Technical data ETIM 7.0

Low-voltage industrial components (EG000017) / Auxiliary contact block (EC000041)			
Electric engineering, automation, process control engineering / Low-voltage switch technology / Component for low-voltage switching technology / Auxiliary switch block (ecI@ss10.0.1-27-37-13-02 [AKN342013])			
Number of contacts as change-over contact			0
Number of contacts as normally open contact			1
Number of contacts as normally closed contact			1
Number of fault-signal switches			0
Rated operation current I <sub>e</sub> at AC-15, 230 V		A	3.5
Type of electric connection			Screw connection
Model			Top mounting
Mounting method			Side mounting
Lamp holder			None

## Approvals

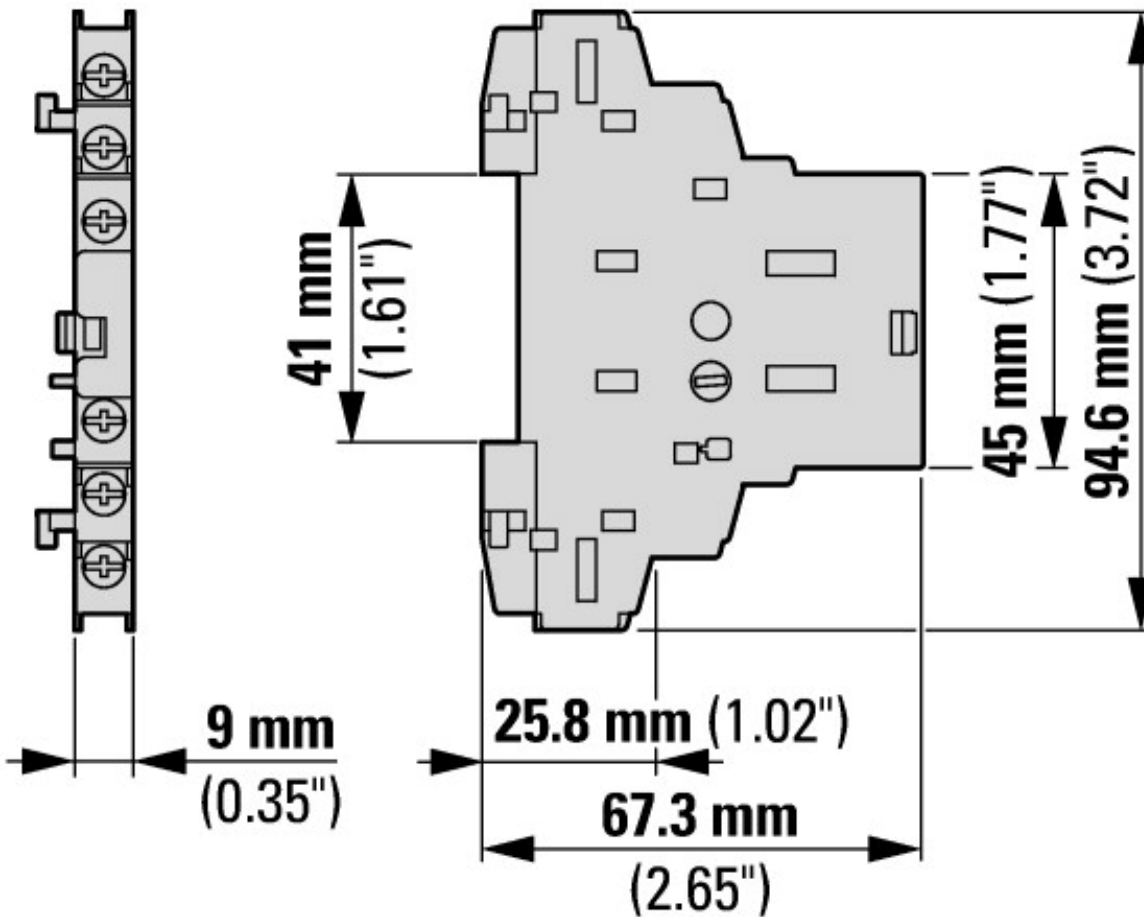
Product Standards			UL 508; CSA-C22.2 No. 14; IEC60947-4-1; CE marking
UL File No.			E36332
UL Category Control No.			NLRV
CSA File No.			165628
CSA Class No.			3211-05
North America Certification			UL listed, CSA certified
Specially designed for North America			No

## Characteristics



- 1: Motor-protective circuit-breakers
- 2: Trip-indicating auxiliary contact

## Dimensions



## Additional product information (links)

<b>IL03402034Z (AWA1210-1945) Motor-protective circuit-breaker, Starter</b>	
IL03402034Z (AWA1210-1945) Motor-protective circuit-breaker, Starter	<a href="ftp://ftp.moeller.net/DOCUMENTATION/AWA_INSTRUCTIONS/IL03402034Z2018_06.pdf">ftp://ftp.moeller.net/DOCUMENTATION/AWA_INSTRUCTIONS/IL03402034Z2018_06.pdf</a>
<b>IL03407011Z (AWA1210-1925) Motor-protective circuit-breaker</b>	
IL03407011Z (AWA1210-1925) Motor-protective circuit-breaker	<a href="ftp://ftp.moeller.net/DOCUMENTATION/AWA_INSTRUCTIONS/IL03407011Z2018_04.pdf">ftp://ftp.moeller.net/DOCUMENTATION/AWA_INSTRUCTIONS/IL03407011Z2018_04.pdf</a>
Motor starters and "Special Purpose Ratings" for the North American market	<a href="http://www.eaton.eu/ecm/groups/public/@pub/@europe/@electrical/documents/content/pct_3258146.pdf">http://www.eaton.eu/ecm/groups/public/@pub/@europe/@electrical/documents/content/pct_3258146.pdf</a>
Busbar Component Adapters for modern Industrial control panels	<a href="http://www.moeller.net/binary/ver_techpapers/ver960en.pdf">http://www.moeller.net/binary/ver_techpapers/ver960en.pdf</a>