

ENSTO

FPT2222FE416

Fire protection junction box

Code	FPT2222FE416
GTIN	6438100180867
ENumber	
Name	Fire protection junction box Ensto Vulcano 220 x 220 mm, FE, 4 x 2,5-16 mm ² , E90
Description	Fire protection junction boxes are designed and manufactured to maintain functionality for 30-90 minutes in a case of fire.
Vendor	Ensto Finland Oy



Technical specification

Technical specification

Content:	Enclosure base, cover, cover screw with gasket and cage nuts, screw anchors for wall/ceiling mounting
-----------------	---

Dimensions

Conductor cross-section:	16 mm ²
Size:	220 x 220 x 115 mm

Temperatures

Ambient temperature :	-25 °C...+40 °C, +35°C (24 h)
------------------------------	--------------------------------

Electrical values

Nominal insulation voltage:	750 V
Nominal current A:	76 A

Materials

Base:	Mild steel, polyester painted
Cover:	Mild steel, polyester painted
Cover screws:	Steel
Gasket:	Polyurethane

Colors

Color: Orange
Color code: RAL2003

Mechanical

Impact strength: IK10

Certificates

Standards: EN 60670-1

Ratings

Degree of protection: IP65
Fire resistance class: E30-E90
ETIM class: EC002600

ETIM

ETIM

Width: 220 mm
Colour: Orange
Material: Steel
Length: 220 mm
Depth: 115 mm
Degree of protection (IP): IP65
Mounting method: Wall-/ceiling mounting
Surface protection: Untreated
Halogen free: true
Cover model: Blind cover
Max. conductor cross section: 16 mm²
Equipped with: Support rail
Shape: Rectangular
For tubediameter: Other
Inlet from the rear: false
Number of inlets: 12
Type of housing feed-through: Seal membrane
Cover: Not transparent
Cover attachment: Screwed
Sealable: false
Rated insulation voltage Ui: 750 V
Circuit integrity: E 90
For Ex-zone gas: None
For Ex-Zone dust: None
Operation temperature: -25 ... 40 °C
Castable: false
Casting compound included: false
Weatherproof: true
With screening: false
Tackable: false

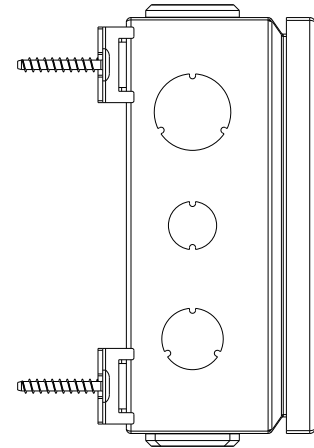
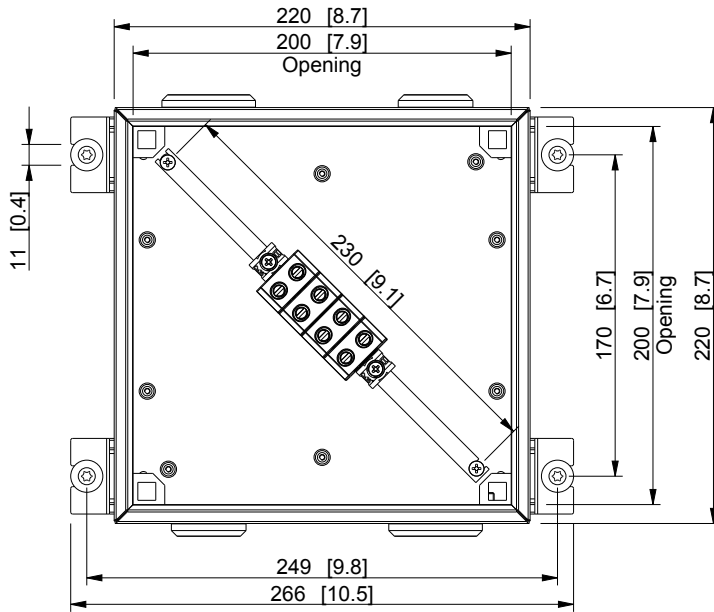
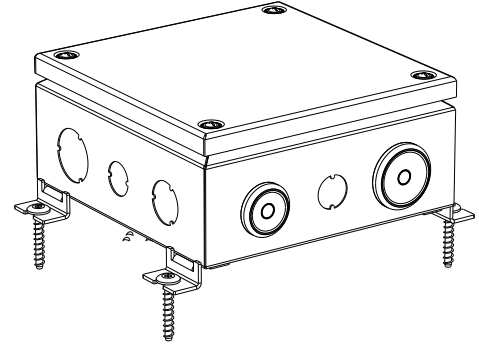
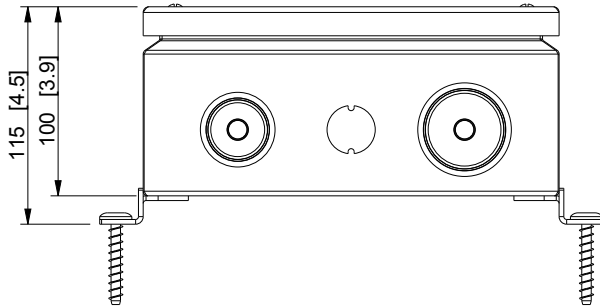
Explosion-tested version: false

Packaging


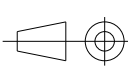
Default package

Unit: PCS
Size: 1
Length: 305 mm
Width: 305 mm
Height: 210 mm
Weight (brt): 3.084 kg
Volume: 7.91

ID	Description	Date	By	Appr.
A		01.03.15	PKos	
B	Dimensions updated	28.12.15	TK	



Dimensions in mm [inches]

model drawing FPT2222FE416 PART PROCUS_FPT2222FE DRAWING	Material: Mild steel, polyester painted		Color: RAL2003	Weight (kg): 2.954		
	 Ensto Finland Oy Ensto Industrial Solutions			220x220mm, Fe, 4xKR16 Fire safety box		
					Replaces:	Replaced:
	Scale	Date	27.02.15		Drw No:	B
	1:4	By	PKos		Ref:	FPT
	-	Checked			Code:	FPT2222FE416
-	Ctrl		Sheet No:			