

# ENSTO

## FPT1010PP46

### Fire protection junction box

Code	FPT1010PP46
GTIN	6438100180782
ENumber	
Name	Fire protection junction box Ensto Vulcano 100 x 100 mm, PP, 4 x 1,5-6 mm <sup>2</sup> , E90
Description	Fire protection junction boxes are designed and manufactured to maintain functionality for 30-90 minutes in a case of fire.
Vendor	Ensto Finland Oy



## Technical specification

### Technical specification

<b>Content:</b>	Enclosure base, cover, cover screw, cover line, fastening plate, screw anchors for wall/ceiling mounting, terminal rail, terminal rail mounting screws, ceramic terminals, PE terminal(s), rubber grommets
-----------------	--

### Dimensions

<b>Conductor cross-section:</b>	1,5-6 mm <sup>2</sup>
<b>Size:</b>	100 x 100 x 53.5 mm

### Temperatures

<b>Ambient temperature :</b>	-25 °C...+40 °C, +35°C ( 24 h)
------------------------------	--------------------------------

### Electrical values

<b>Nominal insulation voltage:</b>	750 V
<b>Nominal current A:</b>	41 A

### Materials

<b>Base:</b>	Polypropylene
<b>Cover:</b>	Polypropylene
<b>Cover screws:</b>	Polycarbonate
<b>Gasket:</b>	Polyurethane

## Colors

<b>Color:</b>	Orange
<b>Color code:</b>	RAL2003

## Features

<b>Screw head:</b>	Slothead
--------------------	----------

## Certificates

<b>Standards:</b>	EN 60670-1
-------------------	------------

## Ratings

<b>Degree of protection:</b>	IP65
<b>ETIM class:</b>	EC002600

## ETIM

---

### ETIM

<b>Width:</b>	100 mm
<b>Colour:</b>	Orange
<b>Material:</b>	Plastic
<b>Length:</b>	100 mm
<b>Depth:</b>	53.5 mm
<b>Degree of protection (IP):</b>	IP65
<b>Mounting method:</b>	Wall-/ceiling mounting
<b>Surface protection:</b>	Untreated
<b>Halogen free:</b>	true
<b>Cover model:</b>	Blind cover
<b>Max. conductor cross section:</b>	6 mm <sup>2</sup>
<b>Equipped with:</b>	Support rail
<b>Shape:</b>	Square
<b>For tubediameter:</b>	25 mm
<b>Inlet from the rear:</b>	true
<b>Number of inlets:</b>	10
<b>Type of housing feed-through:</b>	Seal membrane
<b>Cover:</b>	Not transparent
<b>Cover attachment:</b>	Screwed
<b>Sealable:</b>	true
<b>Rated insulation voltage Ui:</b>	750 V
<b>Circuit integrity:</b>	E 90
<b>For Ex-zone gas:</b>	None
<b>For Ex-Zone dust:</b>	None
<b>Operation temperature:</b>	-25 ... 40 °C
<b>Castable:</b>	false
<b>Casting compound included:</b>	false
<b>Weatherproof:</b>	false
<b>With screening:</b>	false
<b>Tackable:</b>	false

**Explosion-tested version:** false

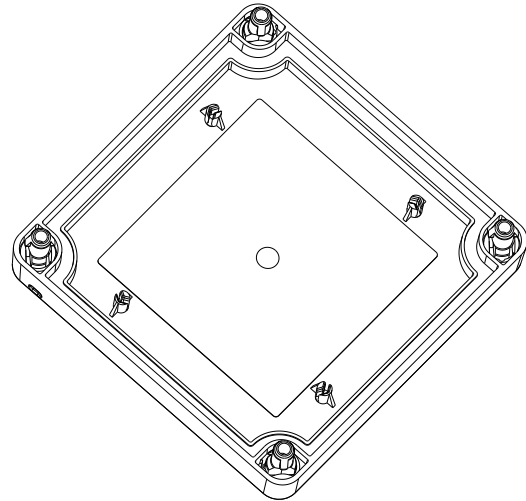
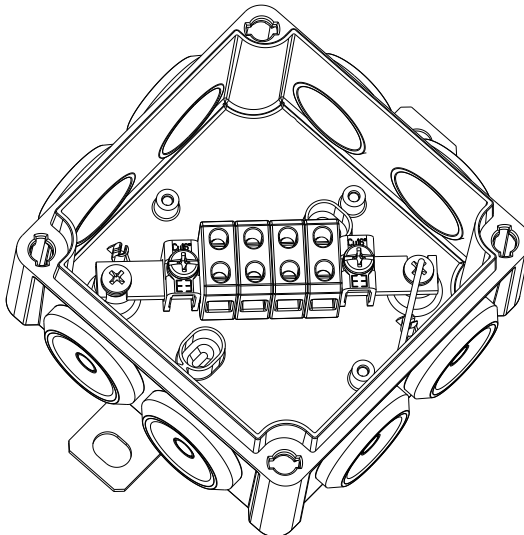
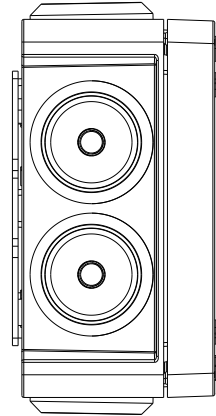
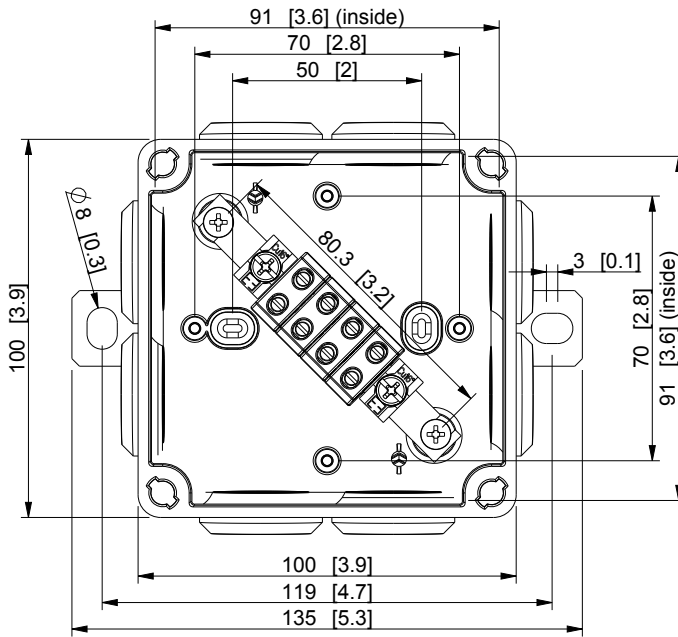
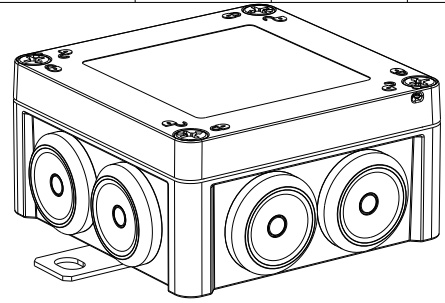
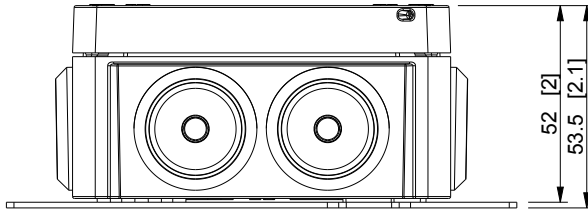
## Packaging

---

### Default package

**Unit:** PCS  
**Size:** 8  
**Length:** 500 mm  
**Width:** 146 mm  
**Height:** 120 mm  
**Weight (brt):** 2.504 kg  
**Volume:** 8.76

ID	Description	Date	By	Appr.
A		29.03.15	PKos	
B	Updated dimensions	28.12.15	TK	



Dimensions in mm [inches]

model FPT1010PP46 PART drawing PR_FPT1010PP DRAWING	Material: PP		Color: RAL2003	Weight (kg): 0.185	
	 Ensto Finland Oy Ensto Industrial Solutions		100x100mm, PP, 4xKR6		Replaces:
					Replaced:
	Scale	Date	24.02.15		
	1:2	By	AKu		
	-	Checked			
-	Ctrl				
Fire safety box				Drw No: B	
				Ref: Fire safety box	
				Code: FPT1010PP46	
				Sheet No:	