

# Red Spot centre bolted tags fuse links



## Product description

Eaton's Bussmann® series Red Spot centre tagged BS fuse links (in sizes B1 to B4 and C1 to C3 and D1) are specifically designed for the protection of general industrial applications, e.g. power distribution, cable protection, motor protection.

## Features

- Good peak and let-through current limitation
- 1:1.6 Selective coordinate ratio between 'downstream' and 'upstream' fuse
- gM type offer enhanced motor starting capability
- Power loss values well within the limits of IEC 60269-2

**Catalogue symbol:**

- TB(amp)
- TBC(amp)
- TC(amp)
- TF(amp)
- TKF(amp)
- TKM(amp)
- TMF(amp)
- TM(amp)
- TMT(amp)
- TTM(amp)
- TLM(amp)
- TT(amp)
- TLU(amp)
- TXU(amp)

**Standard/Agency information:**

- BS88-2
- IEC 60269-2

**Breaking range and utilisation category:**

- gG
- gM

**Technical data:**

- Breaking capacity: AC: ASTA 20 certified to 80 kA, generally at 660 Volts a.c. to BS88-2 1988 (IEC 60269-2)
- Minimum interrupting rating:  $1.6 \times I_n$

**Packaging:**

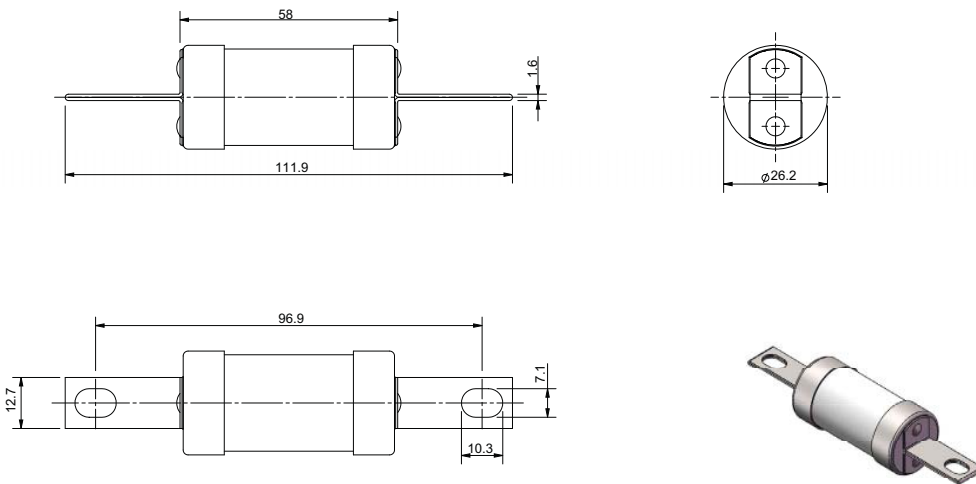
- TB and TBC: 20
- TC and TF: 10
- TKF: 5
- TKM, TME, TM, TMT, TTM, TLM, TT, TLU and TXU: 1

Red Spot centre bolted tags fuse links

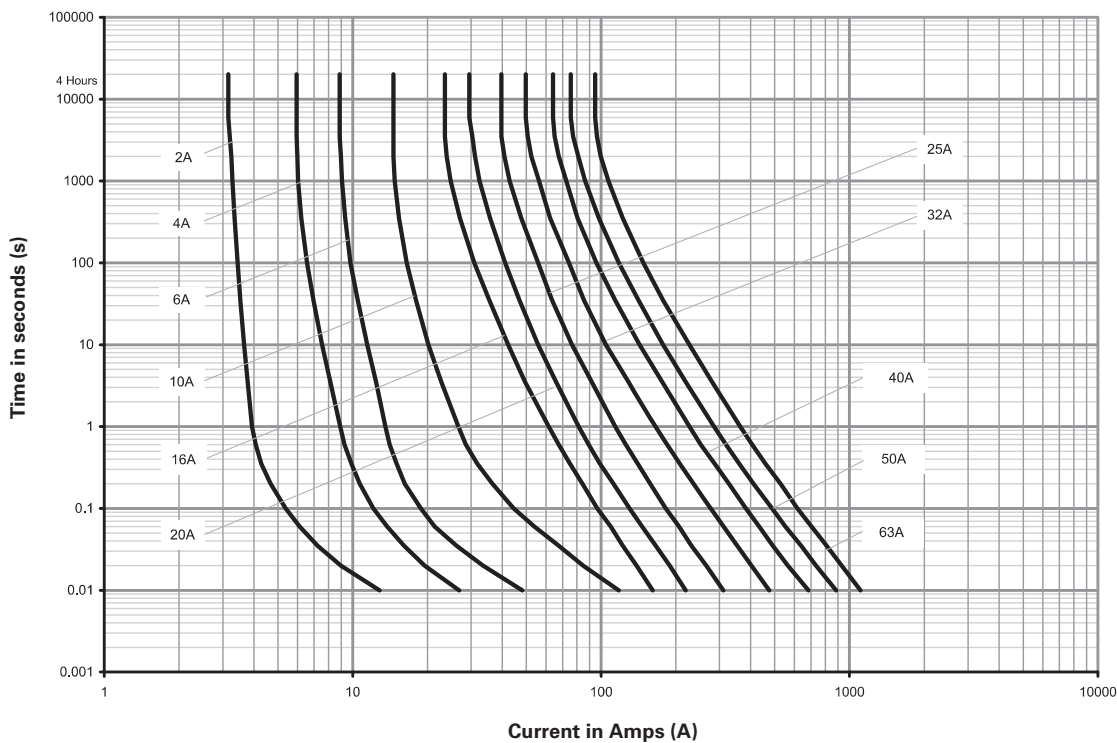
TB

Catalogue numbers	Rated voltage	Rated current (Amps)	Breaking capacity	Operating class	I <sup>2</sup> t (A <sup>2</sup> s)		Fixing centre (mm)	Pack quantity	Alternative fuse links	Compatible fuse holders			
					Pre-arcing	Total at rated voltage							
TB2	660 V a.c. / 460 V d.c.	2	80 kA	gG	2	15	97	20	AC at 550 V a.c.	N/A			
TB4		4	80 kA	gG	7	50							
TB6	6	80 kA	gG	22	150								
TB10	10	80 kA	gG	170	1000								
TB16	16	80 kA	gG	150	1100								
TB20	20	80 kA	gG	300	1670								
TB25	25	80 kA	gG	500	3400								
TB32	32	80 kA	gG	1080	5900								
TB40	40	80 kA	gG	1920	8380	97					20	BC at 550 V a.c.	N/A
TB50	50	80 kA	gG	3410	13,260								
TB63	63	80 kA	gG	6500	25,000								

Dimensions - mm



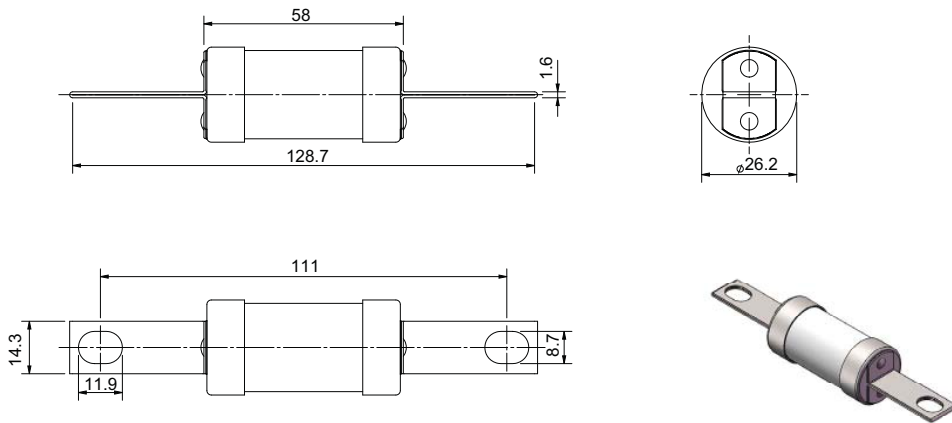
Time current curve



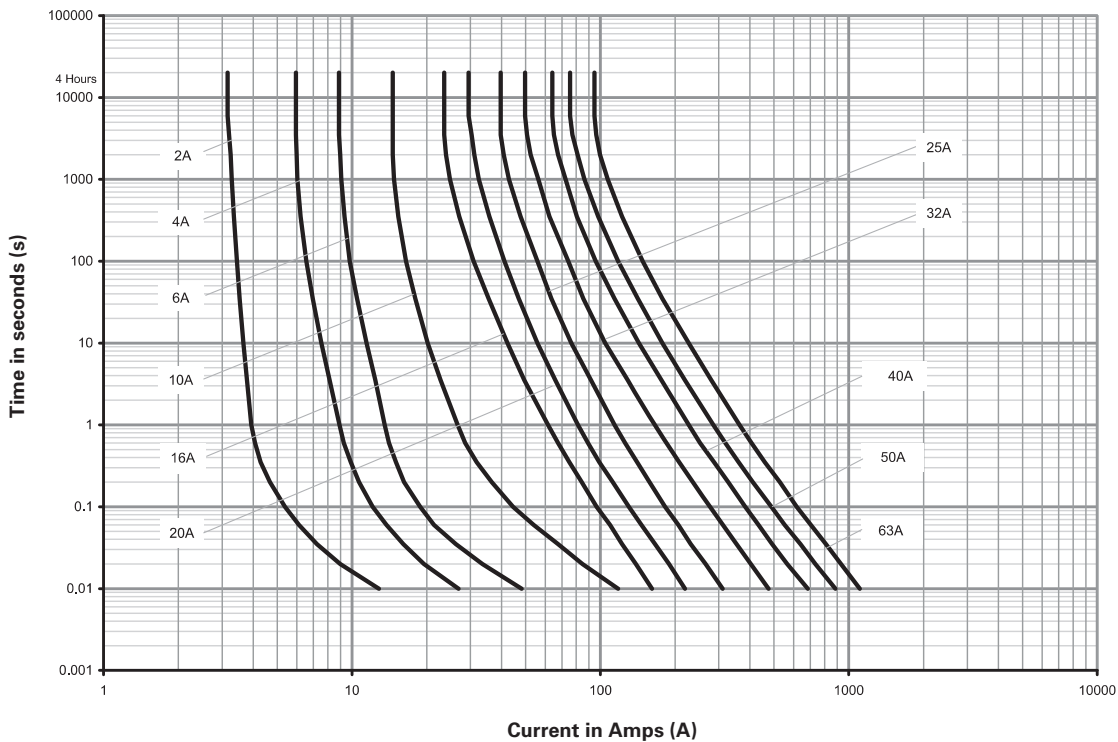
TBC

Catalogue numbers	Rated voltage	Rated current (Amps)	Breaking capacity	Operating class	I <sup>2</sup> t (A <sup>2</sup> s)		Fixing centre (mm)	Pack quantity	Alternative fuse links	Compatible fuse holders			
					Pre-arcing	Total at rated voltage							
TBC2	660 V a.c./ 460 V d.c.	2	80 kA	gG	2	15	111	20	AD at 550 V a.c.	RS200			
TBC4		4	80 kA	gG	7	50							
TBC6	6	80 kA	gG	22	150								
TBC10	10	80 kA	gG	170	1000								
TBC16	16	80 kA	gG	150	1100								
TBC20	20	80 kA	gG	300	1670								
TBC25	25	80 kA	gG	500	3400								
TBC32	32	80 kA	gG	1080	5900								
TBC40	40	80 kA	gG	1920	8380	111					20	BD at 550 V a.c.	RS200
TBC50	50	80 kA	gG	3410	13,260								
TBC63	63	80 kA	gG	6500	25,000								

Dimensions - mm



Time current curve

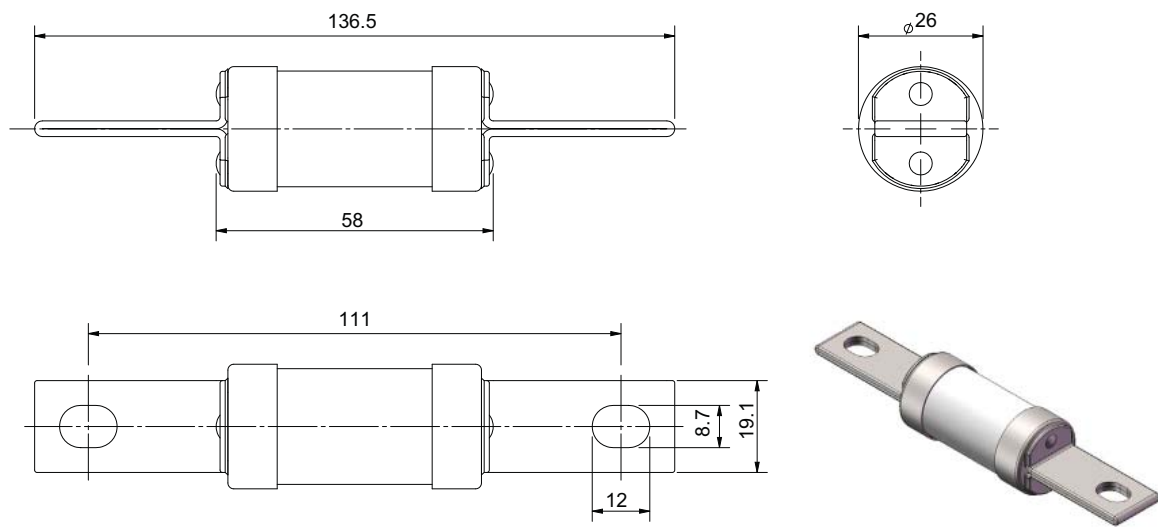


Red Spot centre bolted tags fuse links

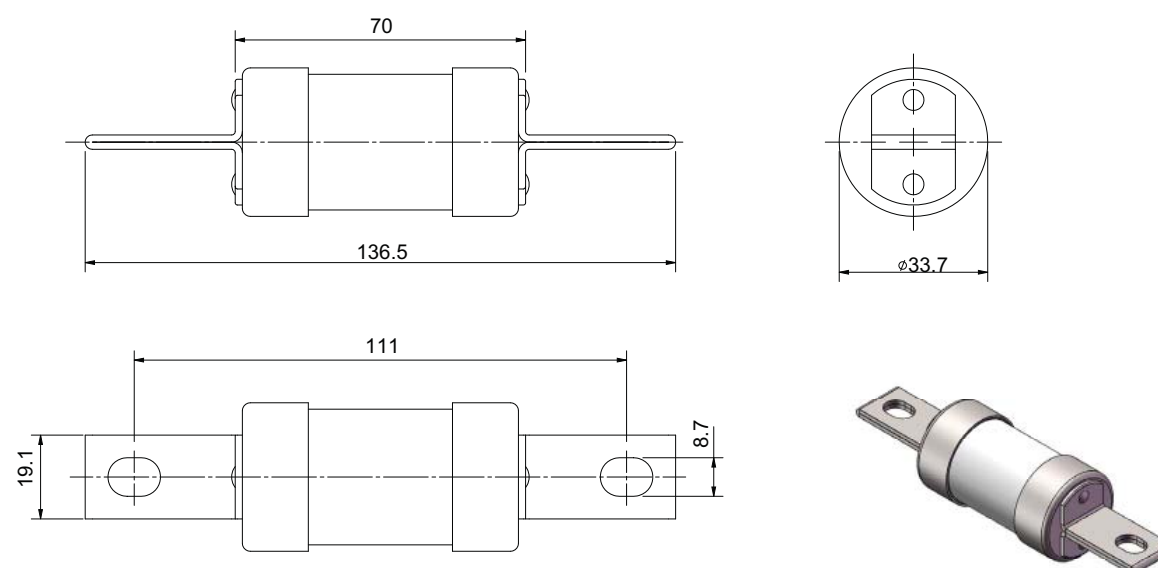
TC

Catalogue numbers	Rated voltage	Rated current (Amps)	BS reference	Breaking capacity	Operating class	$I^2t (A^2s) \times 10^3$		Fixing centre (mm)	Pack quantity	Alternative fuse links	Compatible fuse holders
						Pre-arcing	Total at rated voltage				
TC80	660-690 V a.c./ 350 V d.c.	80	B1	80 kA	gG	14	66	111	10	L09-660	RS200
TC100		100				17	100				
TC100M125		100M125		80 kA	gM	25	140			CD at 550 V a.c.	
TC100M160		100M160		80 kA	gM	62	270				
TC100M200		100M200		80 kA	gM	105	430				

Dimensions - mm



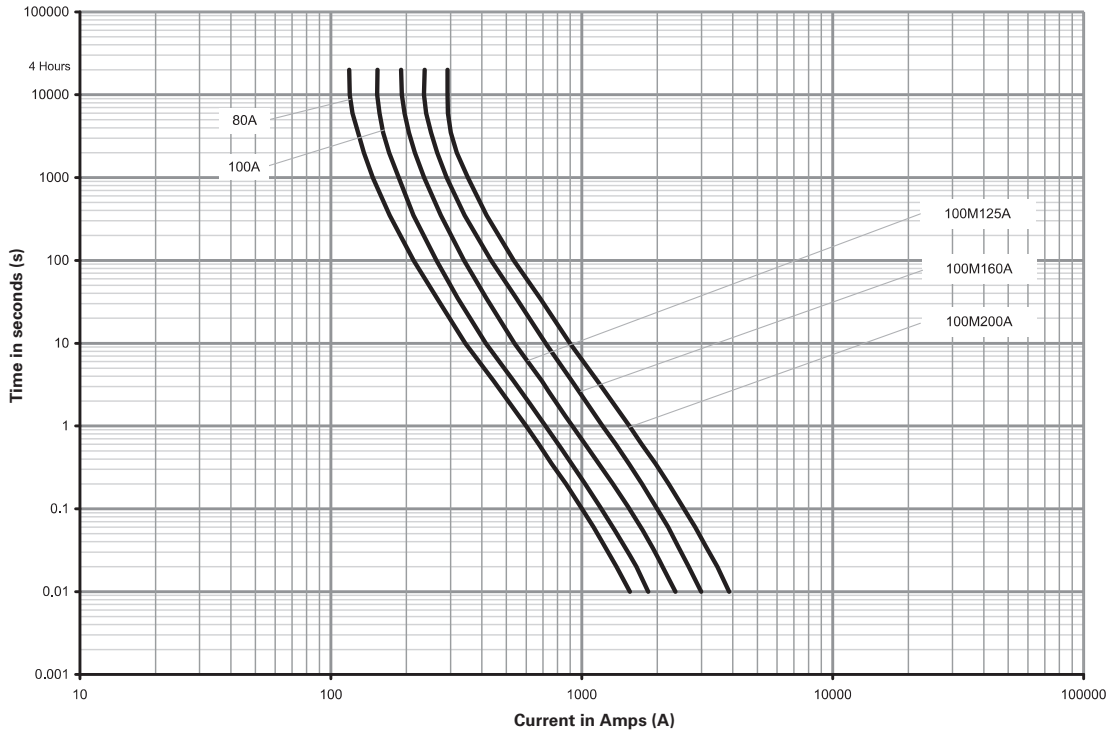
TC80 and TC100



TC100M125 to TC100M200

**TC**

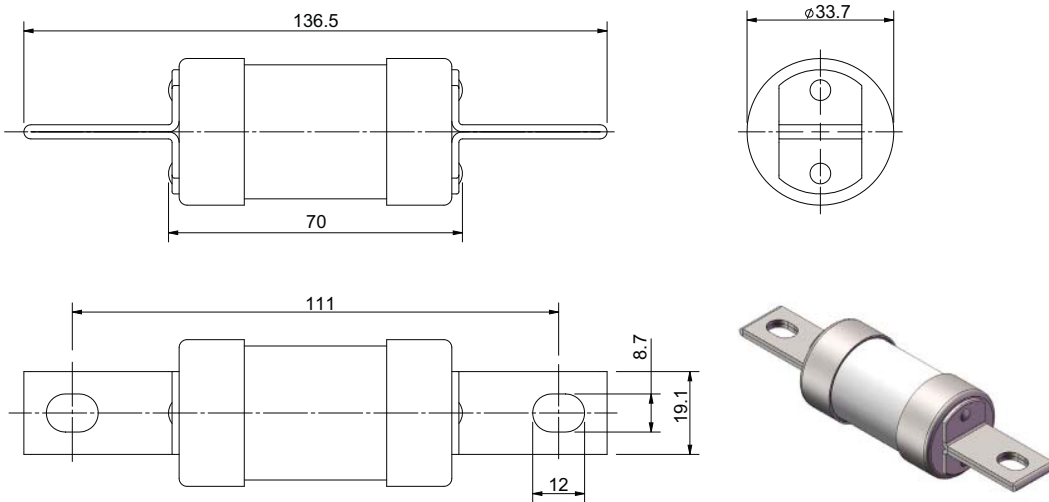
**Time current curve**



**TF**

Catalogue numbers	Rated voltage	Rated current (Amps)	BS reference	Breaking capacity	Operating class	I <sup>2</sup> t (A <sup>2</sup> s) x 10 <sup>3</sup>		Fixing centre (mm)	Pack quantity	Alternative fuse links	Compatible fuse holders
						Pre-arcing	Total at rated voltage				
TF125	660-690 V a.c./350 V d.c.	125	B2	80 kA	gG	25	140	111	10	M09-660	RS200
TF160		160				62	270				
TF200		200				105	430				
TF200M250	660-690 V a.c./460 V d.c.	200M250		80 kA	gM	200	870			DD at 415 V a.c.	
TF200M315	550 V a.c.	200M315		80 kA	gM	300	1050				

**Dimensions - mm**

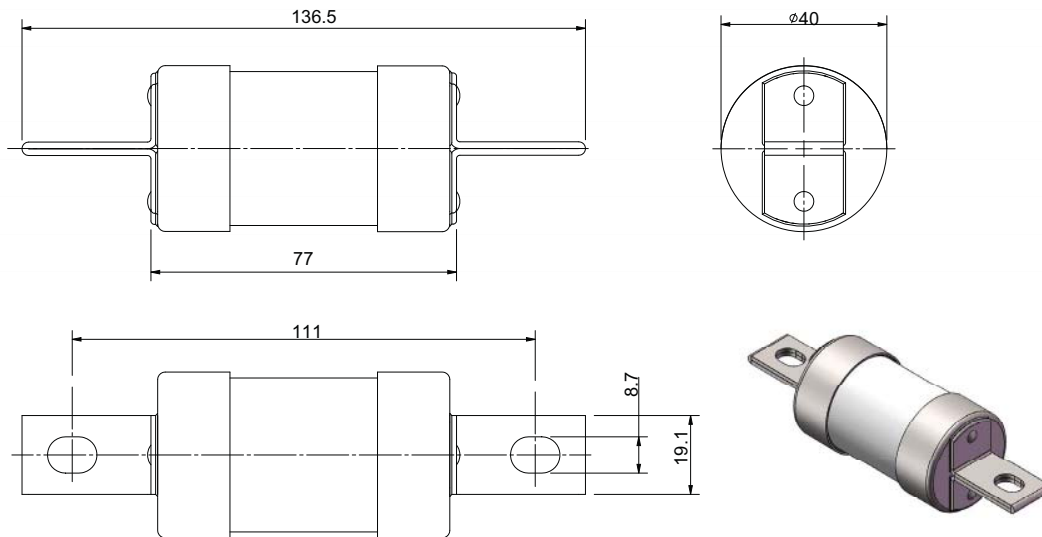


**TF125 to TF200**

Red Spot centre bolted tags fuse links

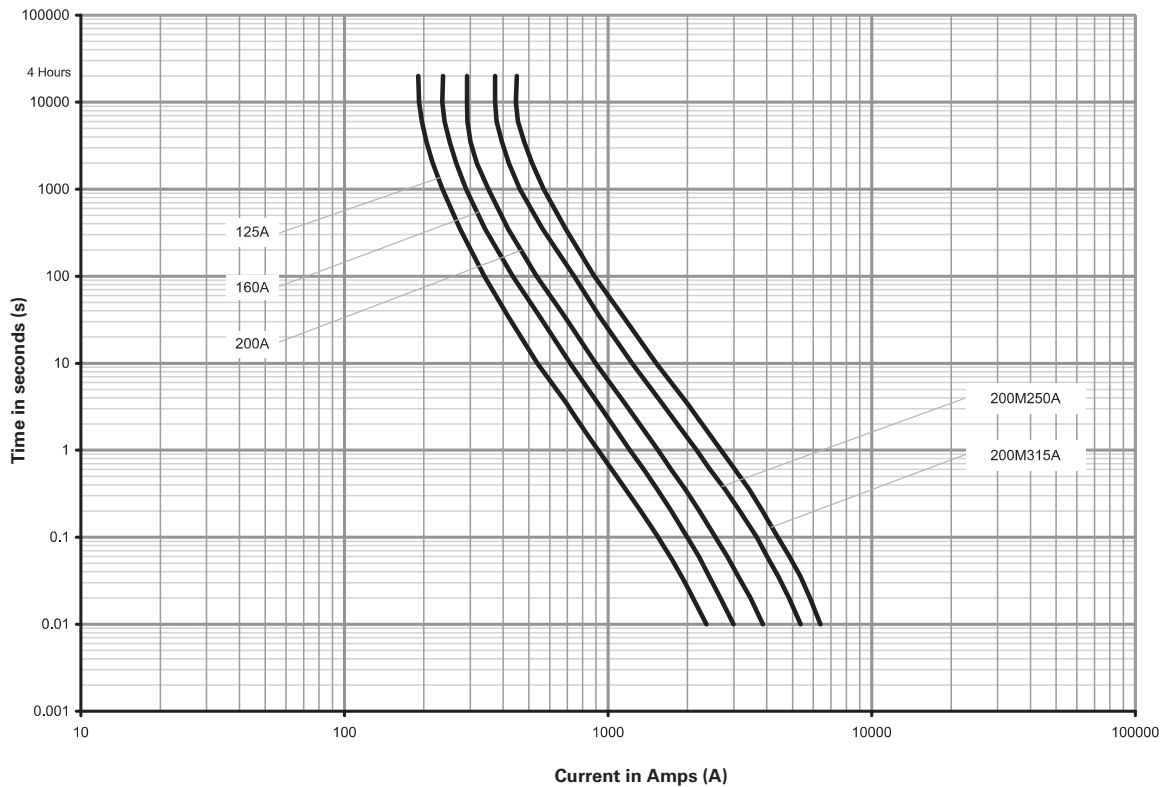
TF

Dimensions - mm



TF200M250 and TF200M315

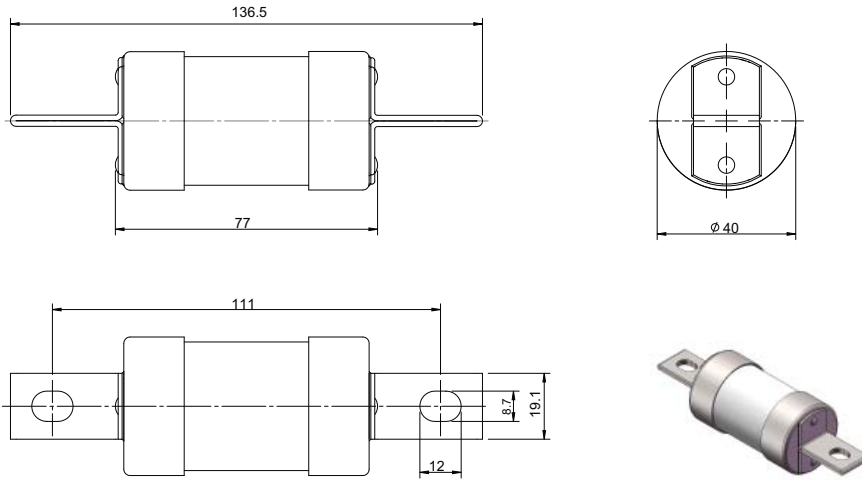
Time current curve



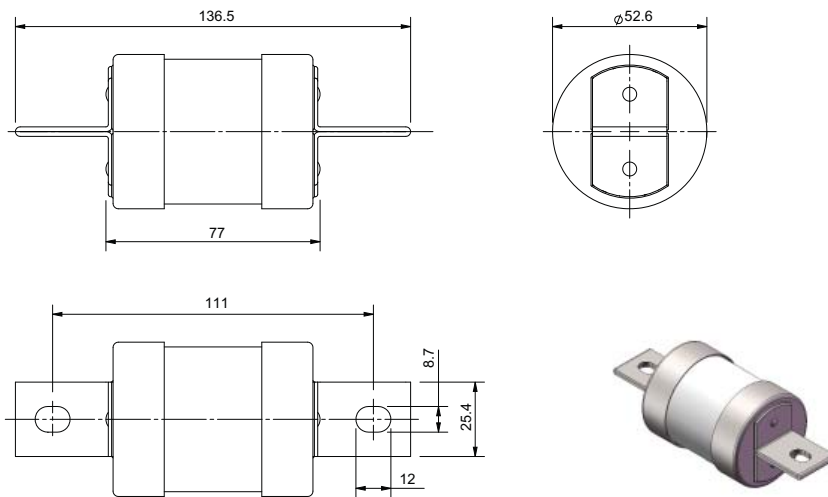
TKF

Catalogue numbers	Rated voltage	Rated current (Amps)	BS reference	Breaking capacity	Operating class	$I^2t (A^2s) \times 10^3$		Fixing centre (mm)	Pack quantity	Alternative fuse links	Compatible fuse holders
						Pre-arcing	Total at rated voltage				
TKF250	660-690 V a.c./ 460 V d.c.	250	B3	80 kA	gG	200	870	111	5	N09-660	N/A
TKF315		315		80 kA	gG	300	1350			ED at 415 V a.c.	
TKF315M355		315M355		80 kA	gM	500	2250				

Dimensions - mm



TKF250



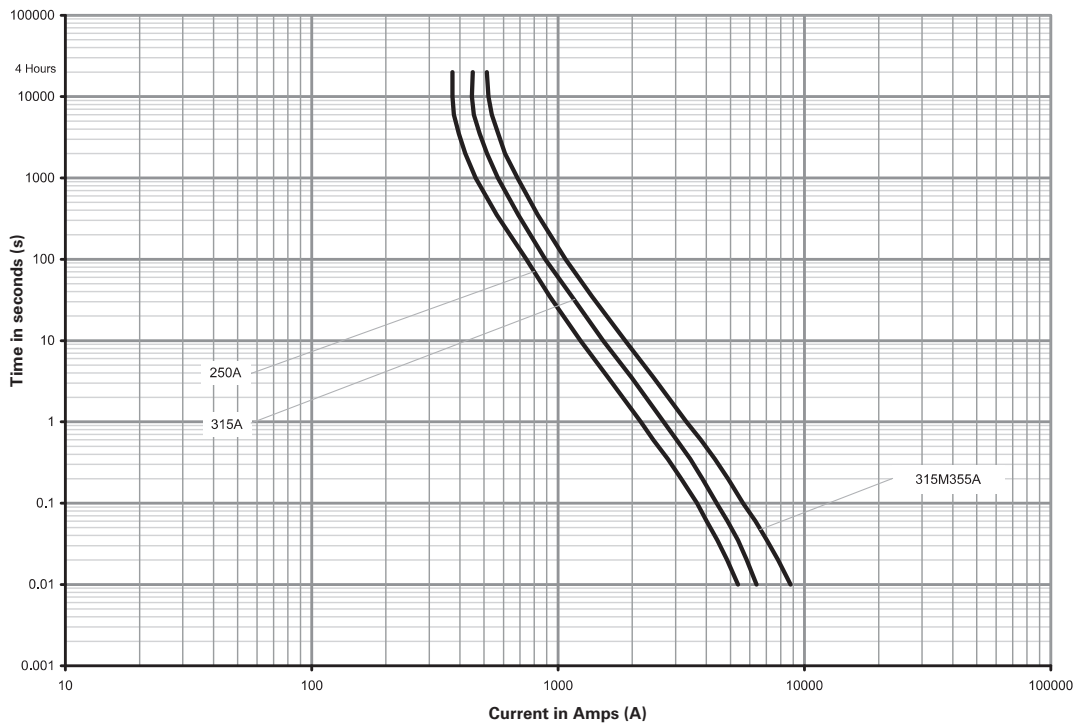
TKF315 and TKF315M355



# Red Spot centre bolted tags fuse links

## TKF

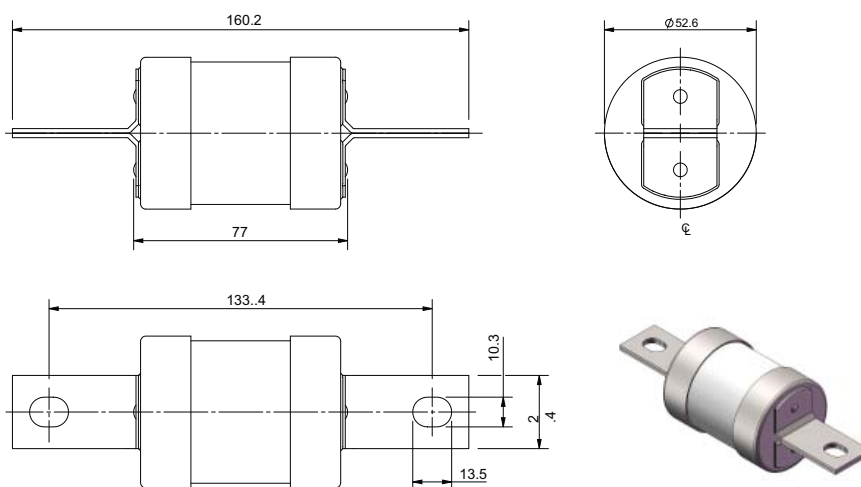
### Time current curve



## TKM

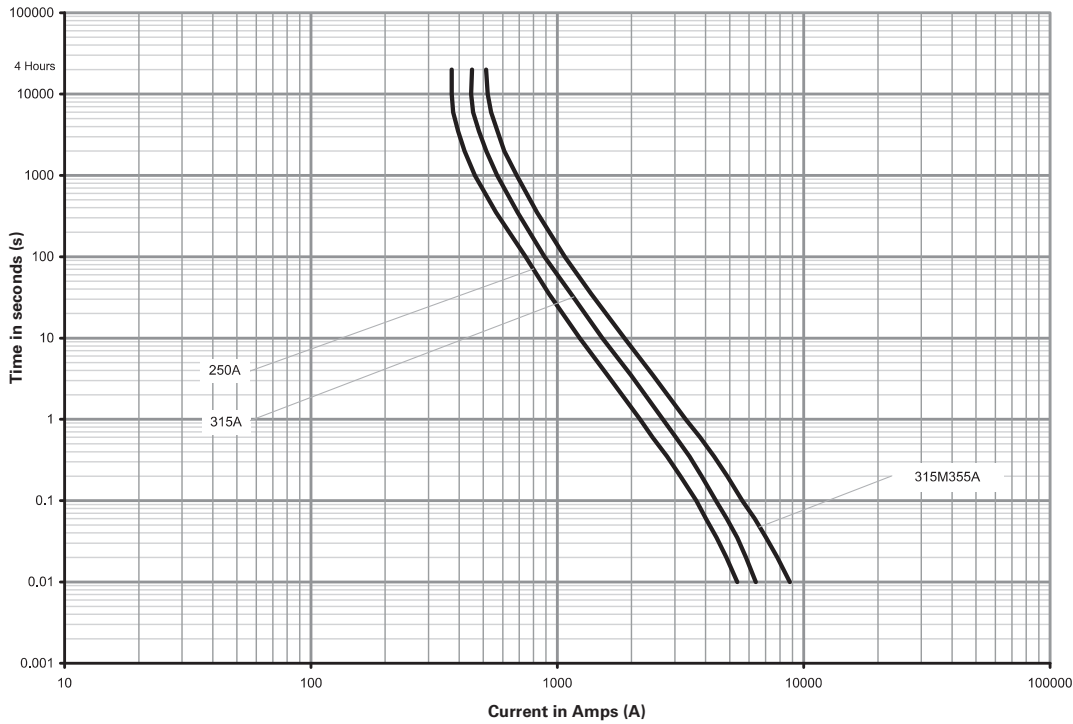
Catalogue numbers	Rated voltage	Rated current (Amps)	Breaking capacity	Operating class	$I^2t$ (A <sup>2</sup> s) x 10 <sup>3</sup>		Fixing centre (mm)	Pack quantity	Alternative fuse links	Compatible fuse holders
					Pre-arcing	Total at rated voltage				
TKM250	660-690 V a.c./ 460 V d.c	250	80 kA	gG	200	870	133	1	N11-660	RS400
TKM315		315	80 kA	gG	300	1350			EFS at 415 V a.c.	
TKM315M355		315M355	80 kA	gM	500	2250				

### Dimensions - mm



**TKM**

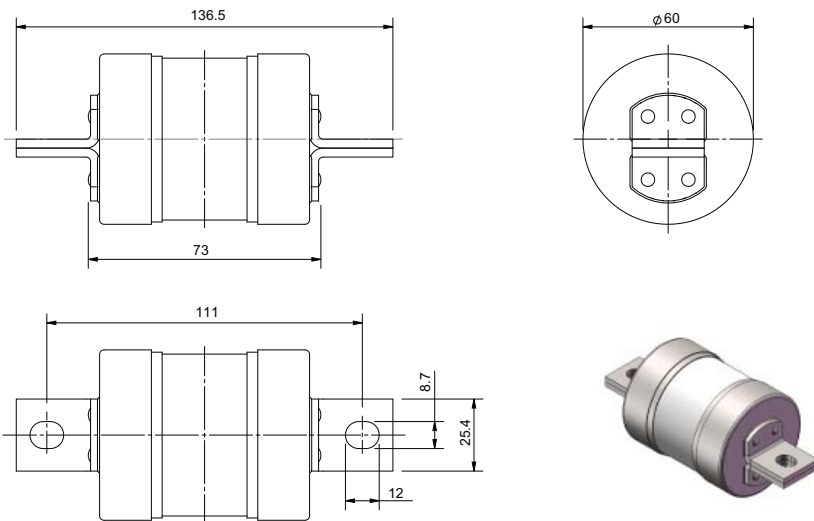
**Time current curve**



**TMF**

Catalogue numbers	Rated voltage	Rated current (Amps)	BS reference	Breaking capacity	Operating class	$I^2t$ (A <sup>2</sup> s) x 10 <sup>3</sup>		Fixing centre (mm)	Pack quantity	Alternative fuse links	Compatible fuse holders
						Pre-arcing	Total at rated voltage				
TMF355	660-690 V a.c./ 460 V d.c.	355	B4	80 kA	gG	500	2250	111	1	P09-660	N/A
TMF400		400		80 kA	gG	640	3000				
TMF400M450		400M450		80 kA	gM	800	3800			ED at 415 V a.c.	

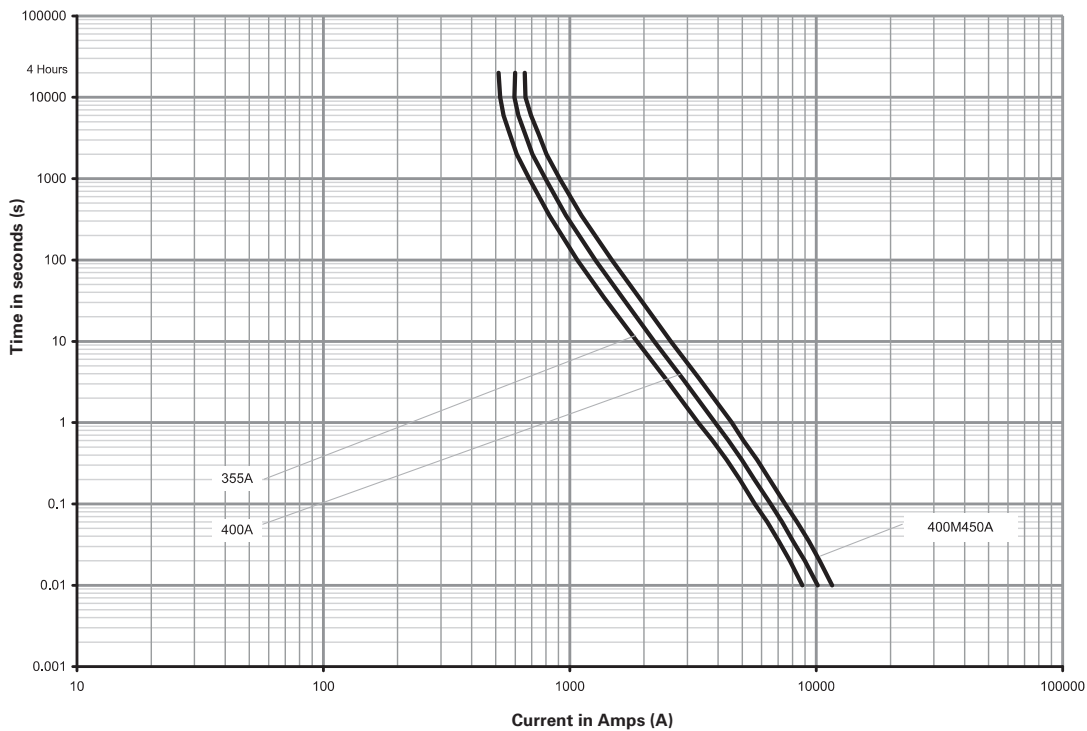
**Dimensions - mm**



# Red Spot centre bolted tags fuse links

## TMF

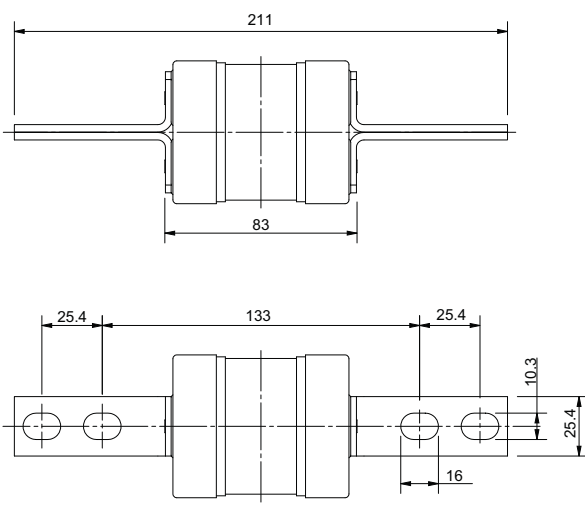
### Time current curve



## TM

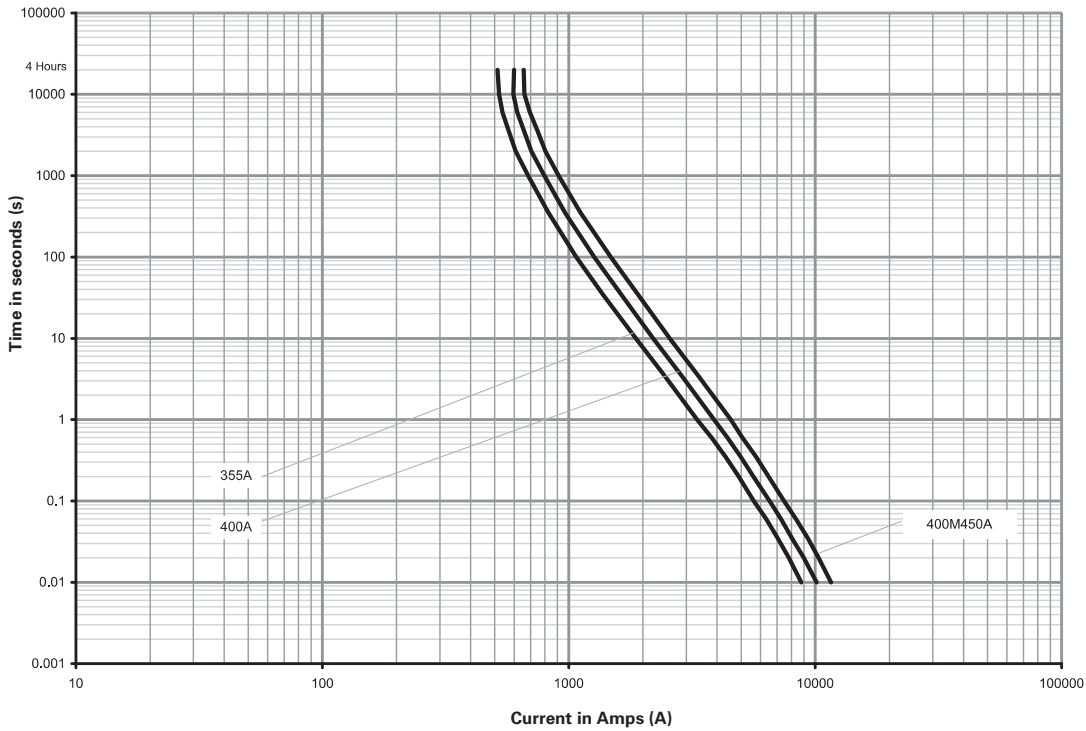
Catalogue numbers	Rated voltage	Rated current (Amps)	BS reference	Breaking capacity	Operating class	$I^2t$ (A <sup>2</sup> s) x 10 <sup>3</sup>		Fixing centre (mm)	Pack quantity	Alternative fuse links	Compatible fuse holders
						Pre-arcing	Total at rated voltage				
TM355	660-690 V a.c./ 460 V d.c.	355	C1	80 kA	gG	500	2250	133/184	1	P11/660	RS400
TM400		400		80 kA	gG	640	3000			EF at 415 V a.c.	
TM400M450		400M450		80 kA	gM	800	3800				

### Dimensions - mm



**TM**

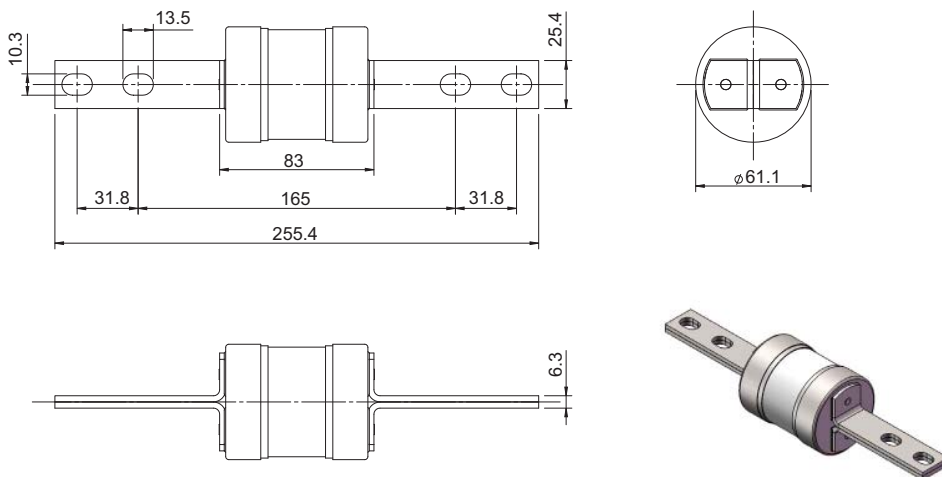
**Time current curve**



**TMT**

Catalogue numbers	Rated voltage	Rated current (Amps)	Breaking capacity	Operating class	I <sup>2</sup> t (A <sup>2</sup> s) x 10 <sup>3</sup>		Fixing centre (mm)	Pack quantity	Alternative fuse links	Compatible fuse holders
					Pre-arcing	Total at rated voltage				
TMT355	660 V a.c.	355	80 kA	gG	500	2250	165	1	P12-660	N/A
TMT400		400	80 kA	gG	640	3000				

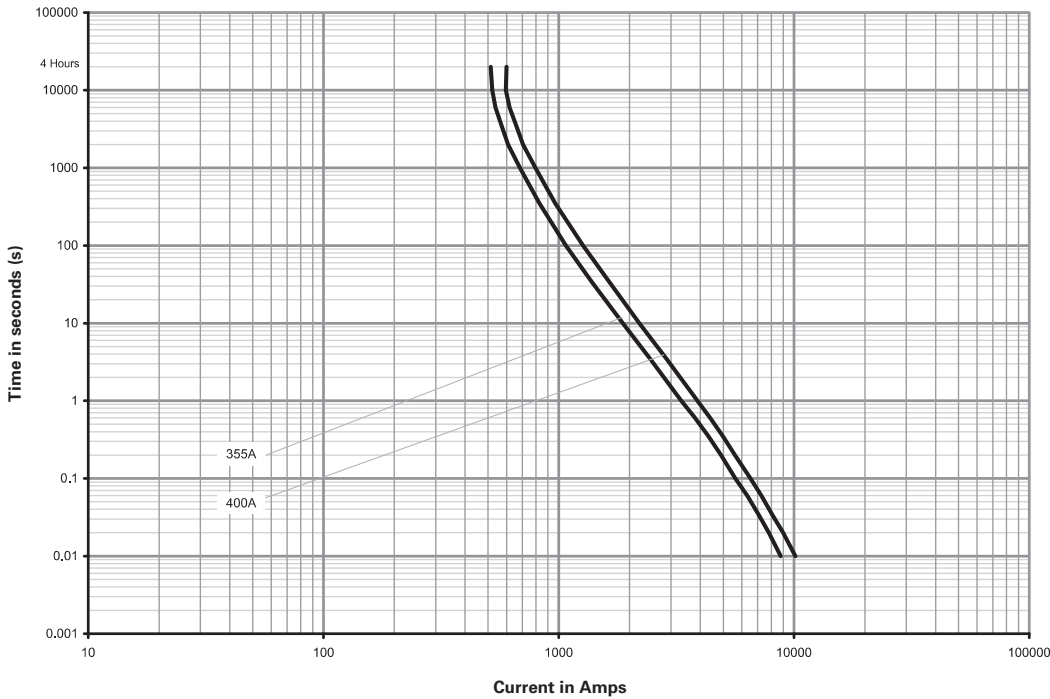
**Dimensions - mm**



Red Spot centre bolted tags fuse links

TMT

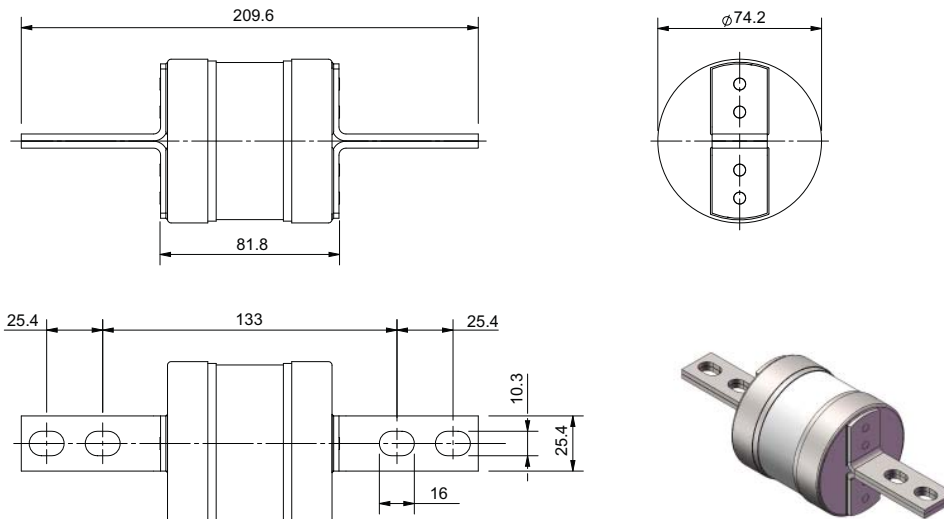
Time current curve



TTM

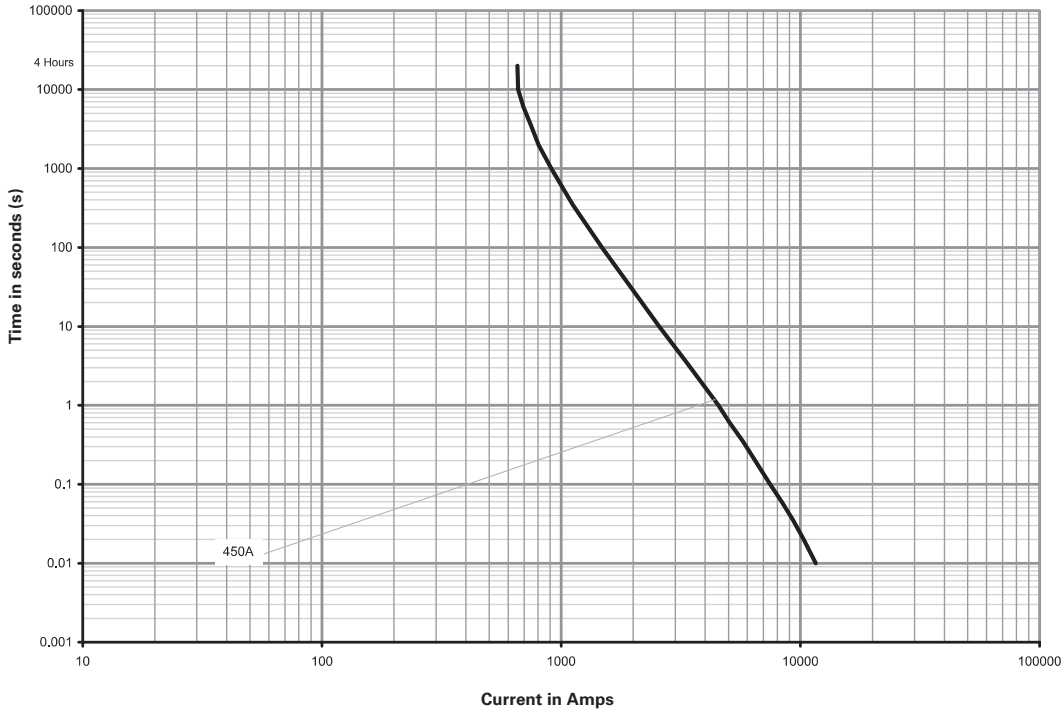
Catalogue numbers	Rated voltage	Rated current (Amps)	BS reference	Breaking capacity	Operating class	$I^2t$ (A <sup>2</sup> s) x 10 <sup>3</sup>		Fixing centre (mm)	Pack quantity	Alternative fuse links	Compatible fuse holders
						Pre-arcing	Total at rated voltage				
TTM450	660-690 V a.c./ 450 V d.c.	450	C2	80 kA	gG	800	3800	133/184	1	R11-660	N/A
TTM500		500		80 kA	gG	1050	4500				
TTM560		560		80 kA	gG	1400	5400				
TTM630		630		80 kA	gG	2000	7500				
TTM630M670		630M670		80 kA	gM	2400	9000				

Dimensions - mm

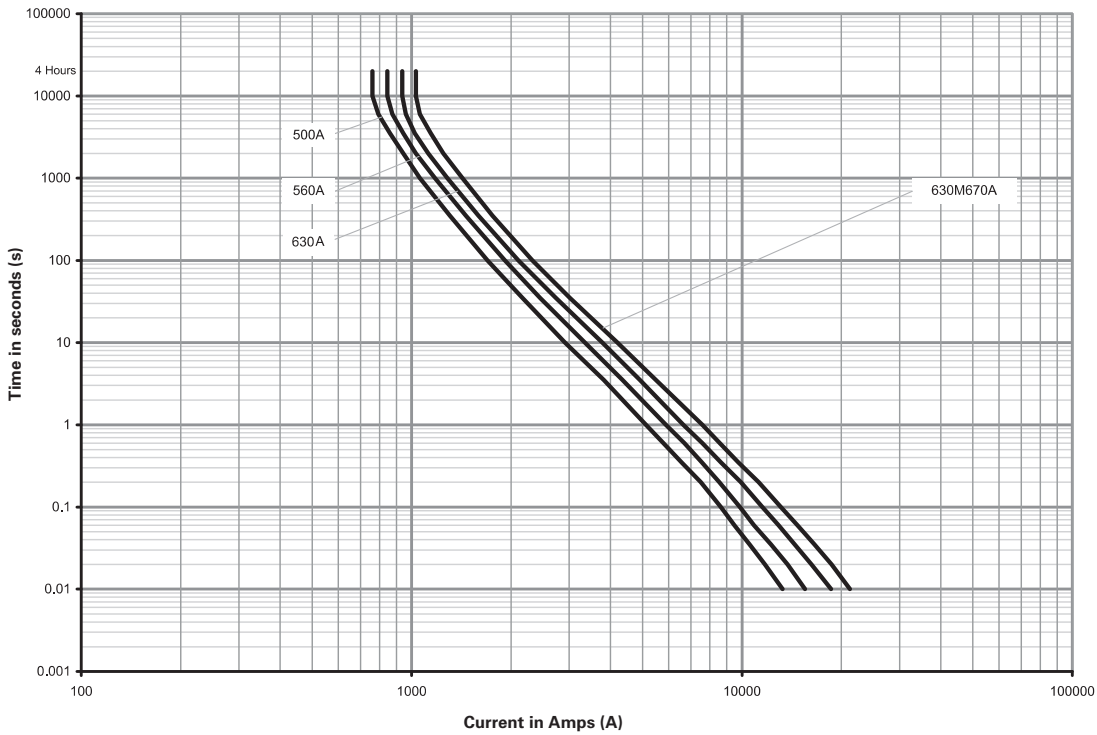


**TTM**

**Time current curve**



**TTM450**



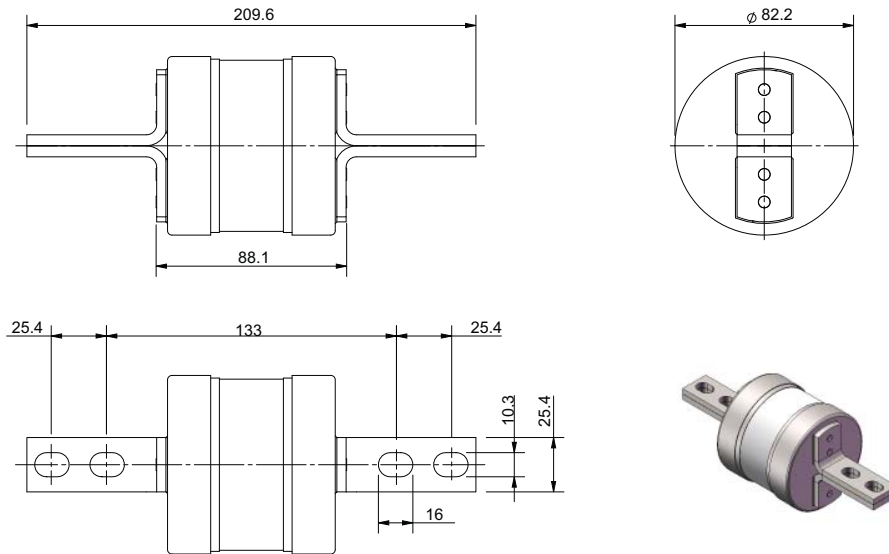
**TTM500 to TTM630M670**

Red Spot centre bolted tags fuse links

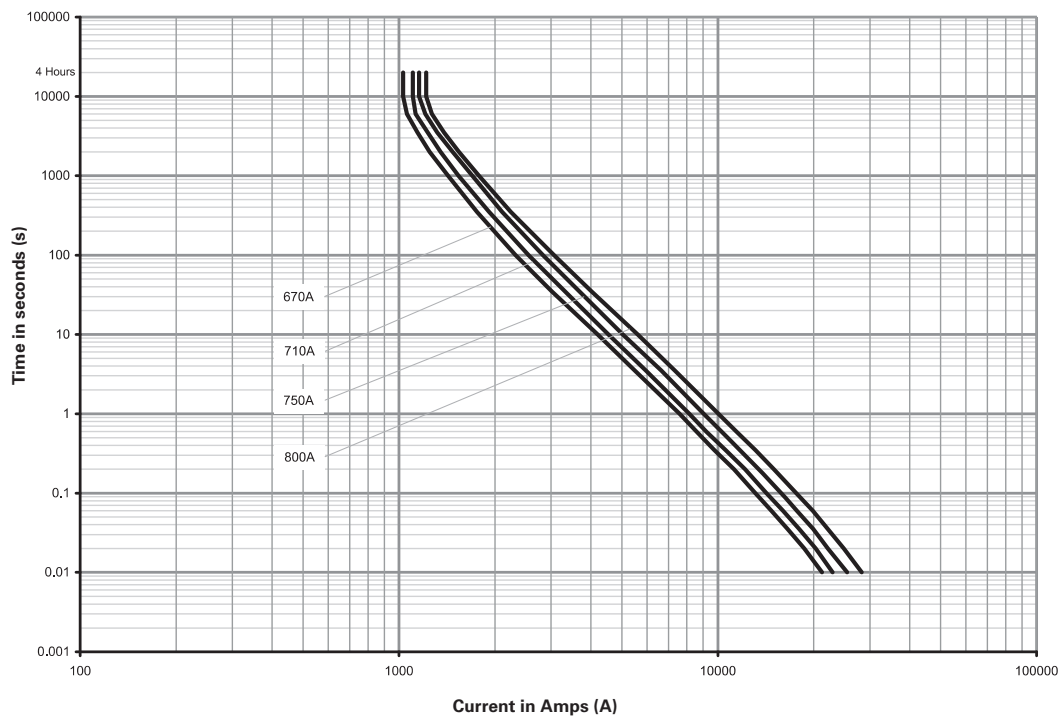
TLM

Catalogue numbers	Rated voltage	Rated current (Amps)	BS reference	Breaking capacity	Operating class	I <sup>2</sup> t (A <sup>2</sup> s) x 10 <sup>3</sup>		Fixing centre (mm)	Pack quantity	Alternative fuse links	Compatible fuse holders
						Pre-arcing	Total at rated voltage				
TLM670	660-690 V a.c./ 350 V d.c.	670	C3	80 kA	gG	2400	9000	133/184	1	GF at 550 V a.c.	N/A
TLM710		710		80 kA	gG	2800	9700				
TLM750	750	80 kA	gG	3700	12000						
TLM800	800	80 kA	gG	4400	15000						

Dimensions - mm



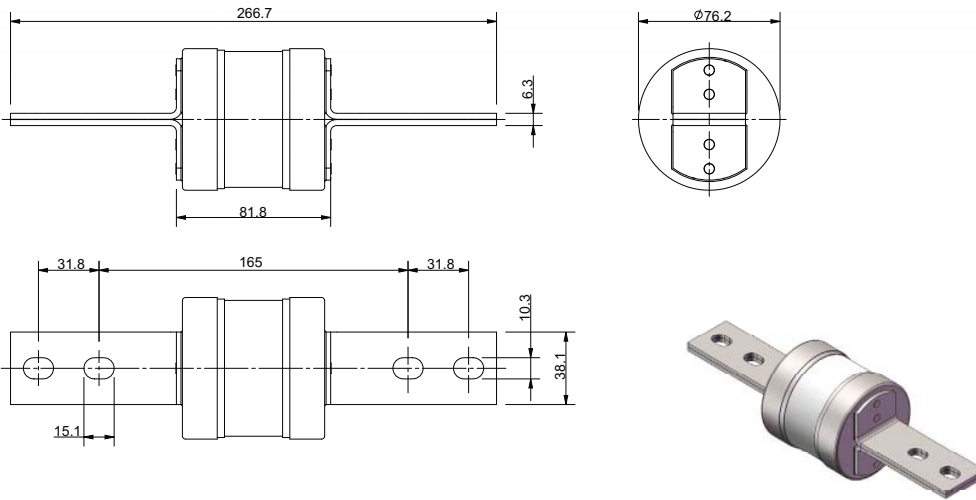
Time current curve



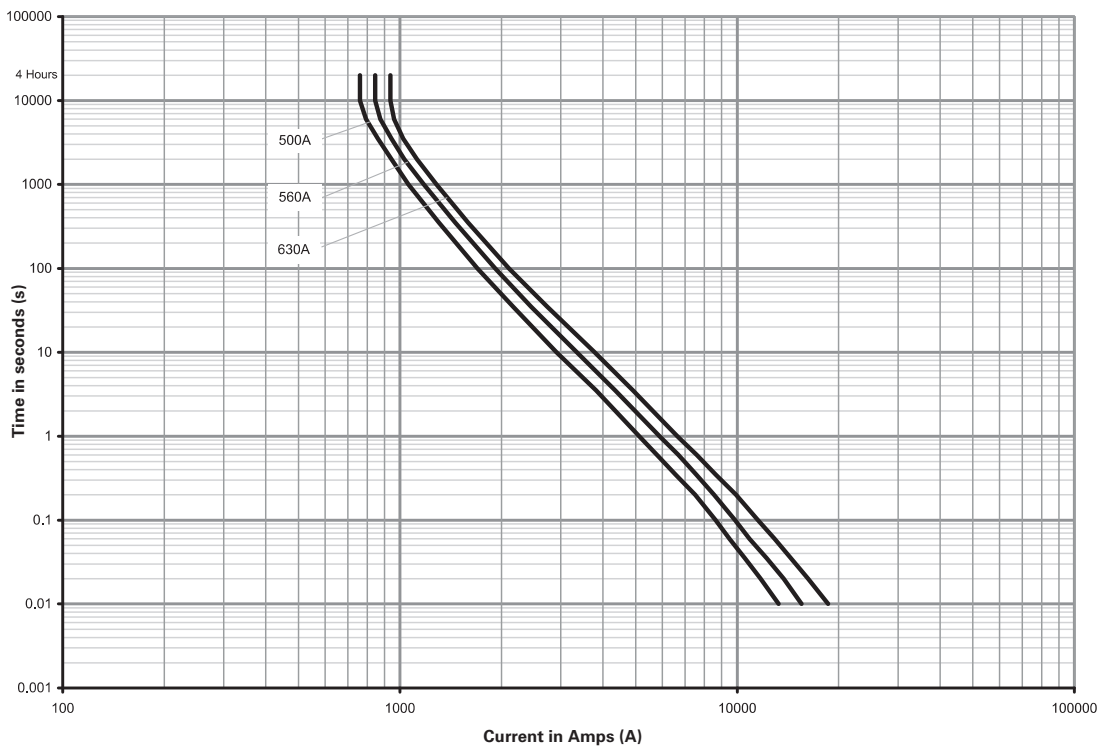
TT

Catalogue numbers	Rated voltage	Rated current (Amps)	Breaking capacity	Operating class	I <sup>2</sup> t (A <sup>2</sup> s) x 10 <sup>3</sup>		Fixing centre (mm)	Pack quantity	Alternative fuse links	Compatible fuse holders
					Pre-arcing	Total at rated voltage				
TT500	660 V a.c./ 450 V d.c.	500	80 kA	gG	1050	4500	165	1	R12-660	
TT560		560	80 kA	gG	1400	5400				
TT630		630	80 kA	gG	2000	7500			FG at 550 V a.c.	

Dimensions - mm



Time current curve



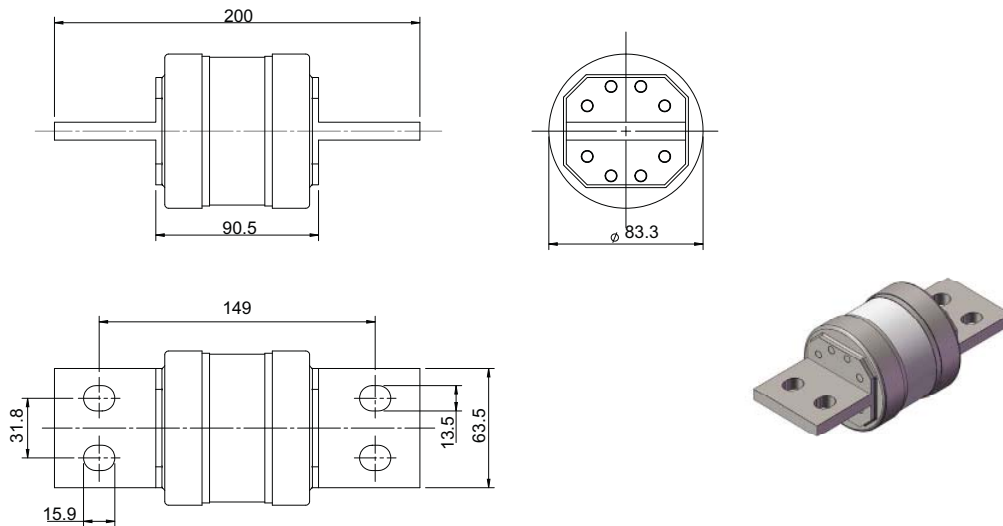


Red Spot centre bolted tags fuse links

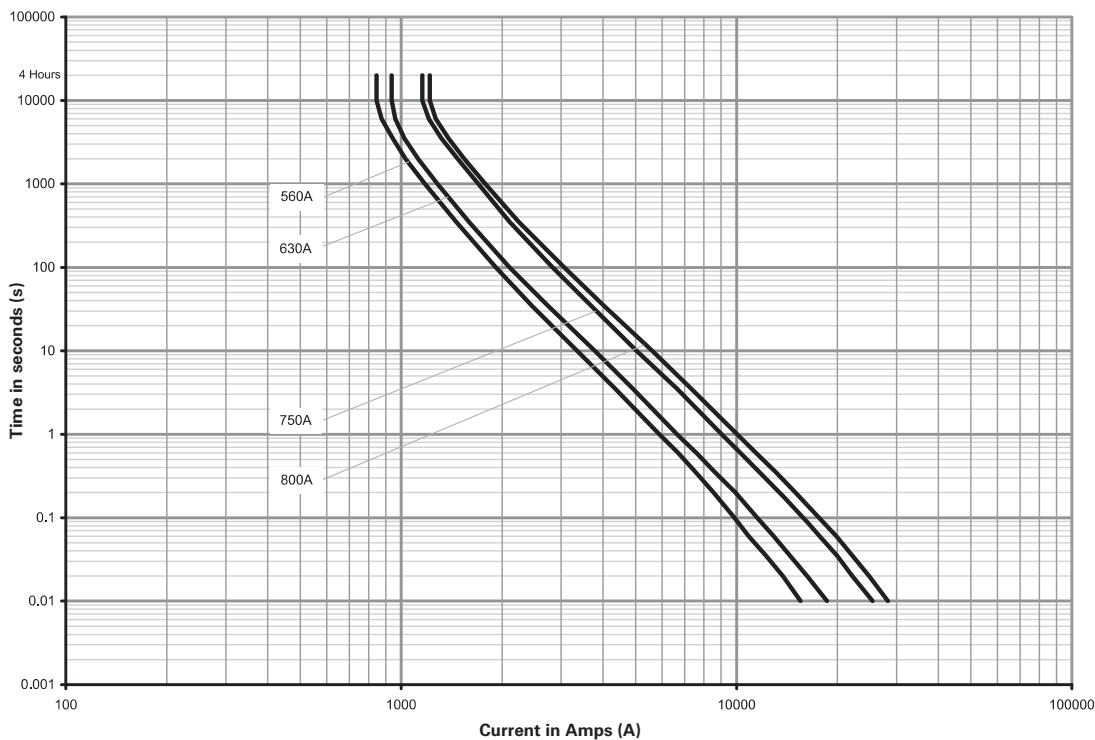
TLU

Catalogue numbers	Rated voltage	Rated current (Amps)	BS reference	Breaking capacity	Operating class	I <sup>2</sup> t (A <sup>2</sup> s) x 10 <sup>3</sup>		Fixing centre (mm)	Pack quantity	Alternative fuse links	Compatible fuse holders
						Pre-arcing	Total at rated voltage				
TLU560	660 V a.c./ 350 V d.c.	560	D1	80 kA	gG	1400	5400	149	1	GH at 550 V a.c.	N/A
TLU630		630		80 kA	gG	2000	7500				
TLU750		750		80 kA	gG	3700	12,000				
TLU800		800		80 kA	gG	4400	15,000				

Dimensions - mm



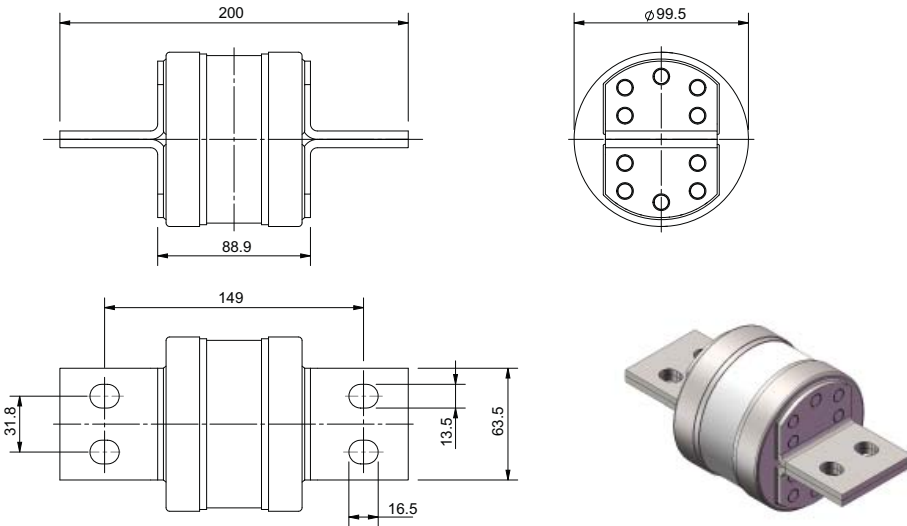
Time current curve



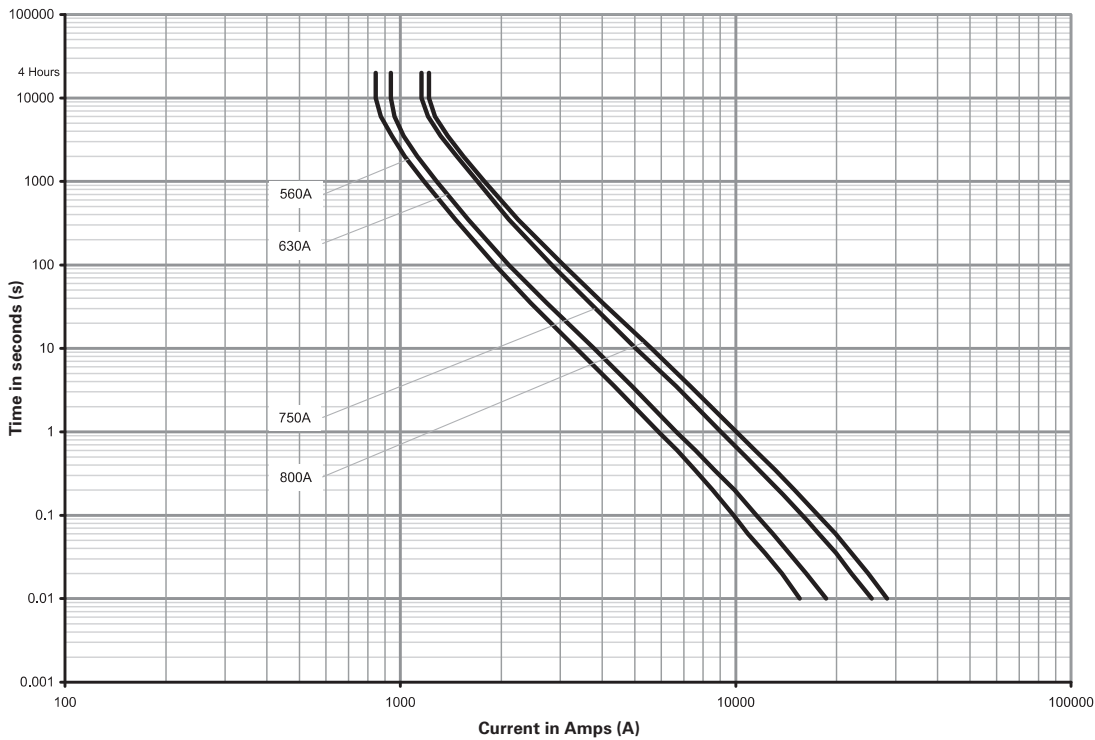
TXU

Catalogue numbers	Rated voltage	Rated current (Amps)	BS reference	Breaking capacity	Operating class	$I^2t$ (A <sup>2</sup> s) x 10 <sup>3</sup>		Fixing centre (mm)	Pack quantity	Alternative fuse links	Compatible fuse holders
						Pre-arcing	Total at rated voltage				
TXU1000	660-690 V a.c./	1000	D1	80 kA	gG	5300	17500	149	1	GH at 550 V a.c.	N/A
TXU1250	350 V d.c.	1250		80 kA	gG	10000	29000				

Dimensions - mm



Time current curve



**Eaton**  
EMEA Headquarters  
Route de la Longeraie 7  
1110 Morges, Switzerland

Eaton Electrical Products Limited  
Melton Road  
Burton-on-the-Wolds  
Leicestershire, LE12 5TH  
United Kingdom

© 2017 Eaton  
All Rights Reserved  
PDF Only  
Publication No. 10078  
October 2017

Changes to the products, to the information contained in this document, and to prices are reserved; so are errors and omissions. Only order confirmations and technical documentation by Eaton is binding. Photos and pictures also do not warrant a specific layout or functionality. Their use in whatever form is subject to prior approval by Eaton. The same applies to Trademarks (especially Eaton, Moeller, and Cutler-Hammer). The Terms and Conditions of Eaton apply, as referenced on Eaton Internet pages and Eaton order confirmations.

Eaton is a registered trademark.

All other trademarks are property of their respective owners.