

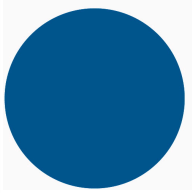


Indicator light, RMQ-Titan, Flush, Blue

Part no. **M22-L-B**  
 Catalog No. **216775**  
 Alternate Catalog No. **M22-L-BQ**  
 EL-Nummer **4355336**  
 (Norway)



**Delivery program**

|                            |  |  |  |
|----------------------------|--|--|--|
| Product range              |  |  | RMQ-Titan  |
| Basic function             |  |  | Indicator lights   |
| Single unit/Complete unit  |  |  | Single unit  |
| Design                     |  |  | Flush  |
| <b>Colour</b>              |  |  |  |
| Lens                       |  |  | Blue   |
| Lens                       |  |  |  |
| Degree of Protection       |  |  | IP66, IP67, IP69   |
| Connection to SmartWire-DT |  |  | yes<br>with SWD-RMQ connections  |
| Front dimensions           |  |  | 29,7   |

**Technical data**

**General**

|                             |  |                 |  |
|-----------------------------|--|-----------------|--|
| Standards                   |  |                 | IEC/EN 60947<br>VDE 0660   |
| Climatic proofing           |  |                 | Damp heat, constant, to IEC 60068-2-78<br>Damp heat, cyclic, to IEC 60068-2-30   |
| Degree of Protection        |  |                 | IP66, IP67, IP69   |
| Ambient temperature         |  |                 |  |
| Open                        |  | °C              | -25 - +70  |
| Mounting position           |  |                 | As required  |
| Mechanical shock resistance |  | g               | 30<br>Shock duration 11 ms<br>Sinusoidal<br>according to IEC 60068-2-27  |
| Terminal capacities         |  | mm <sup>2</sup> |  |
| Solid                       |  | mm <sup>2</sup> | 0.5 - 1.5  |
| Stranded                    |  | mm <sup>2</sup> | 0.5 - 1.5  |
| shipping classification     |  |                 | DNV<br>GL<br>LR  |
|                             |  |                 |    |

**Contacts**

|                                       |                  |      |       |
|---------------------------------------|------------------|------|-------|
| Rated impulse withstand voltage       | U <sub>imp</sub> | V AC | 4000  |
| Rated insulation voltage              | U <sub>i</sub>   | V    | 250   |
| Overvoltage category/pollution degree |                  |      | III/3 |

## Design verification as per IEC/EN 61439

| Technical data for design verification   |            |    |  |
|--|------------|----|--|
| Rated operational current for specified heat dissipation   | $I_n$      | A  | 0  |
| Heat dissipation per pole, current-dependent   | $P_{vid}$  | W  | 0  |
| Equipment heat dissipation, current-dependent  | $P_{vid}$  | W  | 0  |
| Static heat dissipation, non-current-dependent   | $P_{vs}$   | W  | 0  |
| Heat dissipation capacity  | $P_{diss}$ | W  | 0  |
| Operating ambient temperature min.   |            | °C | -25  |
| Operating ambient temperature max.   |            | °C | 70   |
| IEC/EN 61439 design verification   |            |    |  |
| 10.2 Strength of materials and parts   |            |    |  |
| 10.2.2 Corrosion resistance  |            |    |  |
|  |            |    | Meets the product standard's requirements.   |
| 10.2.3.1 Verification of thermal stability of enclosures   |            |    |  |
|  |            |    | Meets the product standard's requirements.   |
| 10.2.3.2 Verification of resistance of insulating materials to normal heat   |            |    |  |
|  |            |    | Meets the product standard's requirements.   |
| 10.2.3.3 Verification of resistance of insulating materials to abnormal heat and fire due to internal electric effects |            |    |  |
|  |            |    | Meets the product standard's requirements.   |
| 10.2.4 Resistance to ultra-violet (UV) radiation   |            |    |  |
|  |            |    | Please enquire   |
| 10.2.5 Lifting   |            |    |  |
|  |            |    | Does not apply, since the entire switchgear needs to be evaluated.                                       |
| 10.2.6 Mechanical impact   |            |    |  |
|  |            |    | Does not apply, since the entire switchgear needs to be evaluated.                                       |
| 10.2.7 Inscriptions  |            |    |  |
|  |            |    | Meets the product standard's requirements.   |
| 10.3 Degree of protection of ASSEMBLIES  |            |    |  |
|  |            |    | Does not apply, since the entire switchgear needs to be evaluated.                                       |
| 10.4 Clearances and creepage distances   |            |    |  |
|  |            |    | Meets the product standard's requirements.   |
| 10.5 Protection against electric shock   |            |    |  |
|  |            |    | Does not apply, since the entire switchgear needs to be evaluated.                                       |
| 10.6 Incorporation of switching devices and components   |            |    |  |
|  |            |    | Does not apply, since the entire switchgear needs to be evaluated.                                       |
| 10.7 Internal electrical circuits and connections  |            |    |  |
|  |            |    | Is the panel builder's responsibility.   |
| 10.8 Connections for external conductors   |            |    |  |
|  |            |    | Is the panel builder's responsibility.   |
| 10.9 Insulation properties   |            |    |  |
| 10.9.2 Power-frequency electric strength   |            |    |  |
|  |            |    | Is the panel builder's responsibility.   |
| 10.9.3 Impulse withstand voltage   |            |    |  |
|  |            |    | Is the panel builder's responsibility.   |
| 10.9.4 Testing of enclosures made of insulating material   |            |    |  |
|  |            |    | Is the panel builder's responsibility.   |
| 10.10 Temperature rise   |            |    |  |
|  |            |    | Not applicable.  |
| 10.11 Short-circuit rating   |            |    |  |
|  |            |    | Is the panel builder's responsibility. The specifications for the switchgear must be observed.           |
| 10.12 Electromagnetic compatibility  |            |    |  |
|  |            |    | Is the panel builder's responsibility. The specifications for the switchgear must be observed.           |
| 10.13 Mechanical function  |            |    |  |
|  |            |    | The device meets the requirements, provided the information in the instruction leaflet (IL) is observed. |

## Technical data ETIM 7.0

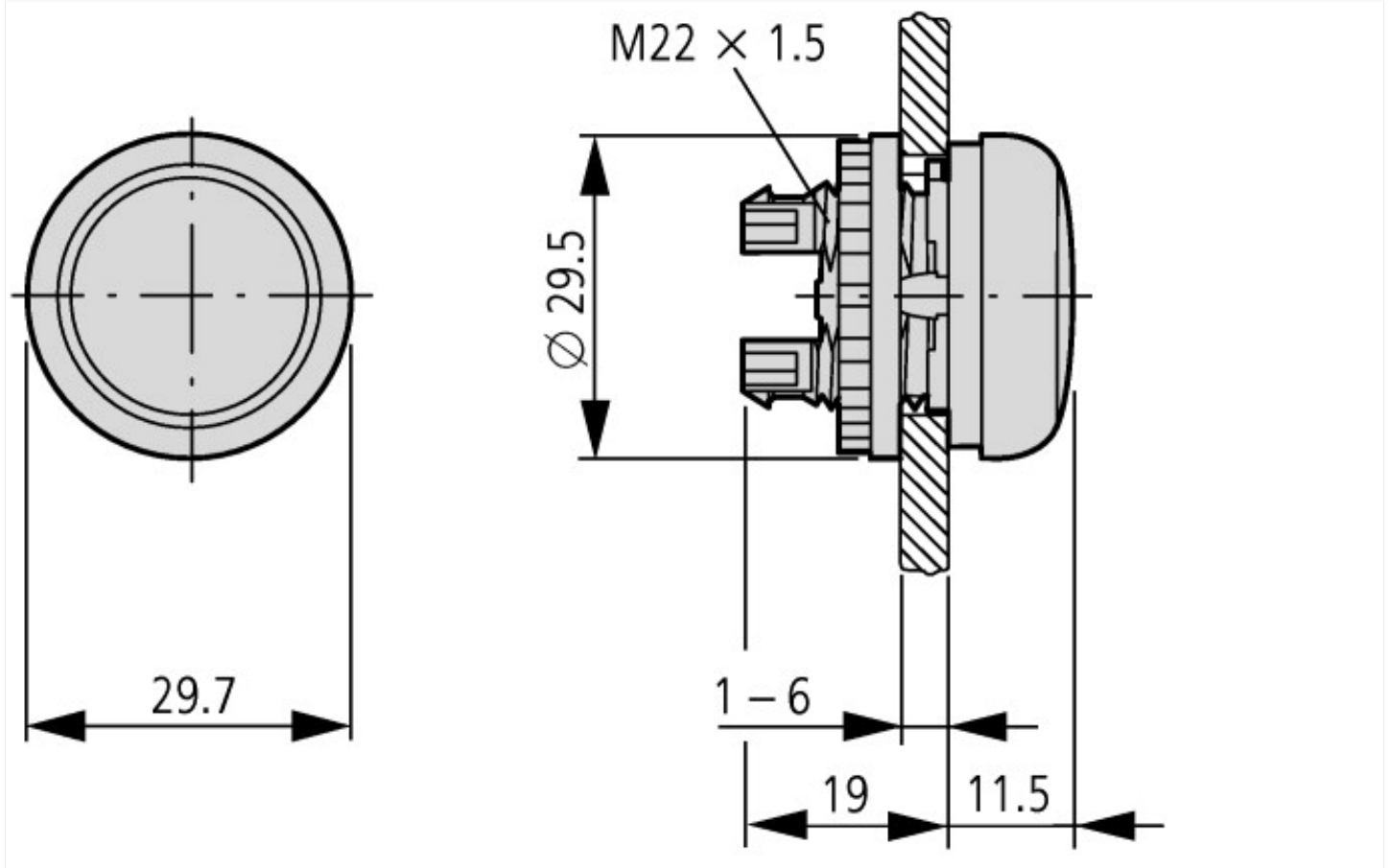
| Low-voltage industrial components (EG000017) / Front element for indicator light (EC000223)  |  |    |            |
|--|--|----|------------|
| Electric engineering, automation, process control engineering / Low-voltage switch technology / Command and alarm device / Front element for warning lights (ecl@ss10.0.1-27-37-12-11 [AKF029014]) |  |    |            |
| Suitable for number of built-in signal lights  |  |    | 1          |
| Colour lens  |  |    | Blue       |
| Construction type lens   |  |    | Round      |
| Hole diameter  |  | mm | 22,5       |
| Width opening  |  | mm | 0          |
| Height opening   |  | mm | 0          |
| With front ring  |  |    | Yes        |
| Material front ring  |  |    | Plastic    |
| Colour front ring  |  |    | Chrome     |
| Type of lens   |  |    | Flat       |
| Degree of protection (IP), front side  |  |    | IP67/IP69K |

## Approvals

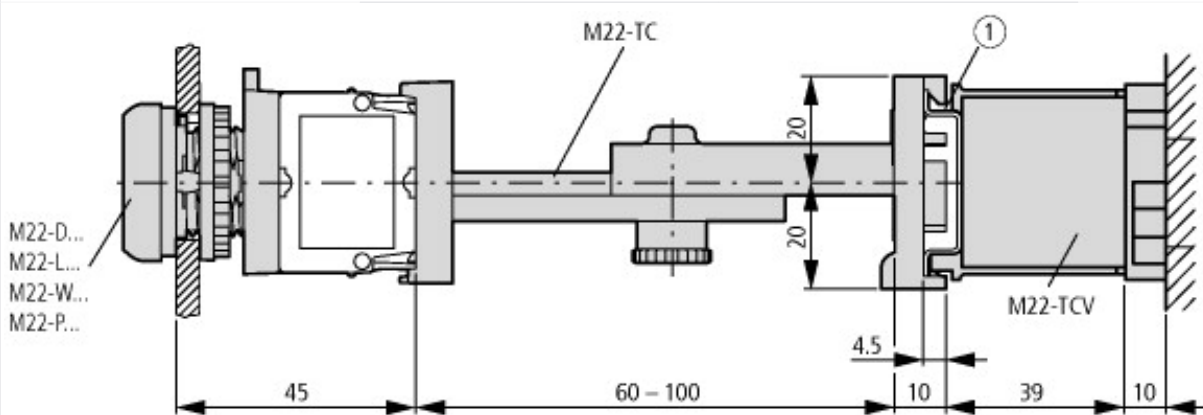
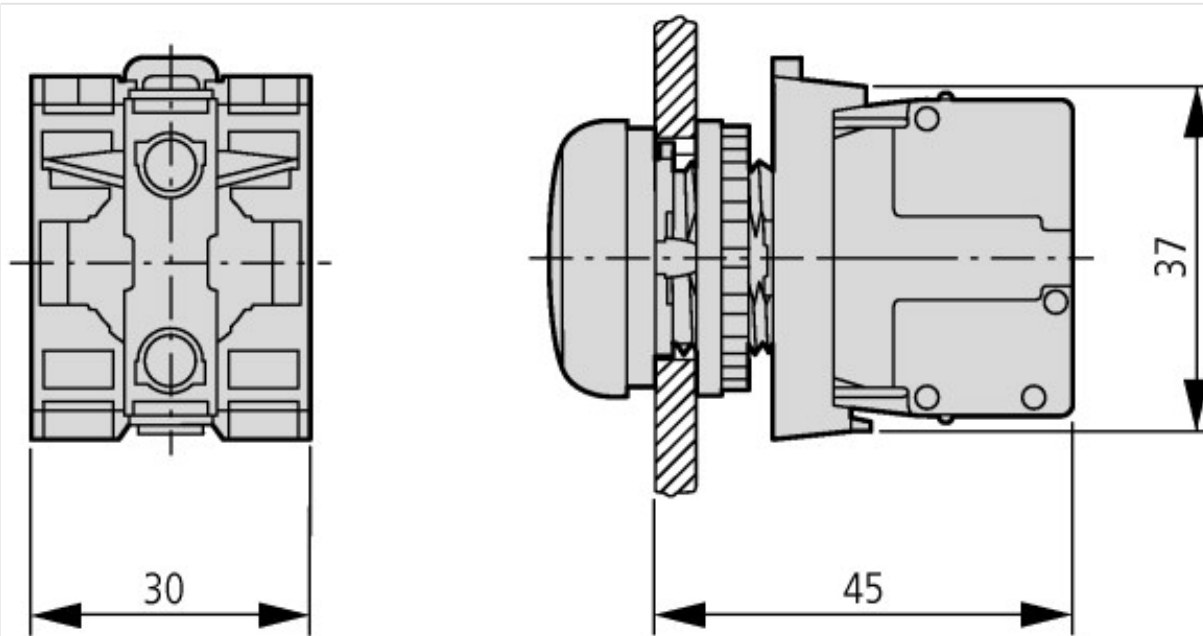
|                   |  |  |  |
|-------------------|--|--|--|
| Product Standards |  |  | IEC/EN 60947-5; UL 508; CSA-C22.2 No. 14-05; CSA-C22.2 No. 94-91; CE marking |
| UL File No.       |  |  | E29184   |

|                             |  |                            |
|-----------------------------|--|----------------------------|
| UL Category Control No.     |  | NKCR                       |
| CSA File No.                |  | 012528                     |
| CSA Class No.               |  | 3211-03                    |
| North America Certification |  | UL listed, CSA certified   |
| Degree of Protection        |  | UL/CSA Type 3R, 4X, 12, 13 |

## Dimensions







Pushbuttons and indicator lights with M22-TC telescopic clip and M22-TCV extension

① Top-hat rail to IEC/EN 60715

## Assets (links)

[Declaration of CE Conformity](#)

00003256

## Additional product information (links)

**IL04716002Z (AWA1160-1745) RMQ-Titan System**

IL04716002Z (AWA1160-1745) RMQ-Titan System

[ftp://ftp.moeller.net/DOCUMENTATION/AWA\\_INSTRUCTIONS/IL04716002Z2018\\_10.pdf](ftp://ftp.moeller.net/DOCUMENTATION/AWA_INSTRUCTIONS/IL04716002Z2018_10.pdf)