

Jaguar CUB Series



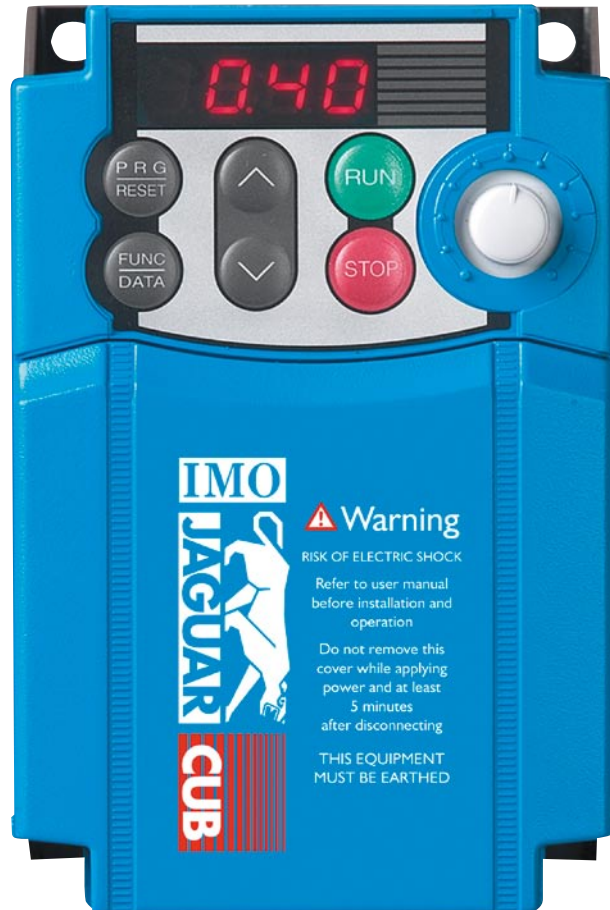
General Purpose AC Variable Speed Drives

1Ø, 230V / 50~60Hz, 0.4~2.2kW (½~3HP)

3Ø, 400V / 50~60Hz, 0.4~4.0kW (½~5HP)

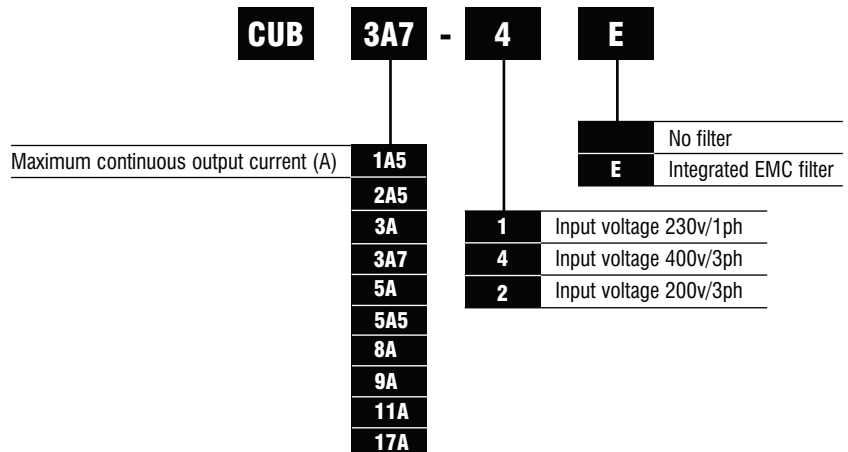


- IP20 side-by-side mounting
- Optional integrated EMI filtered models
- CE marked, UL / cUL approved
- Revolutionary diagnostics
- DC injection braking for fast stopping
- Input and output phase-loss protection
- High performance STV control
- PID control mode as standard
- Impact load stall prevention
- 7 user-configurable preset speeds
- 3 user-defined skip frequencies
- Sink / source logic
- Optional Copy unit / remote operator
- Timer / one-shot operating mode
- Loss-of-load output signal
- Inputs configurable for ON/NOT-ON operation
- Life time / service due alarm output
- Internal brake chopper
- RS485/Modbus RTU communication options
- Jaguar Loader diagnostic software



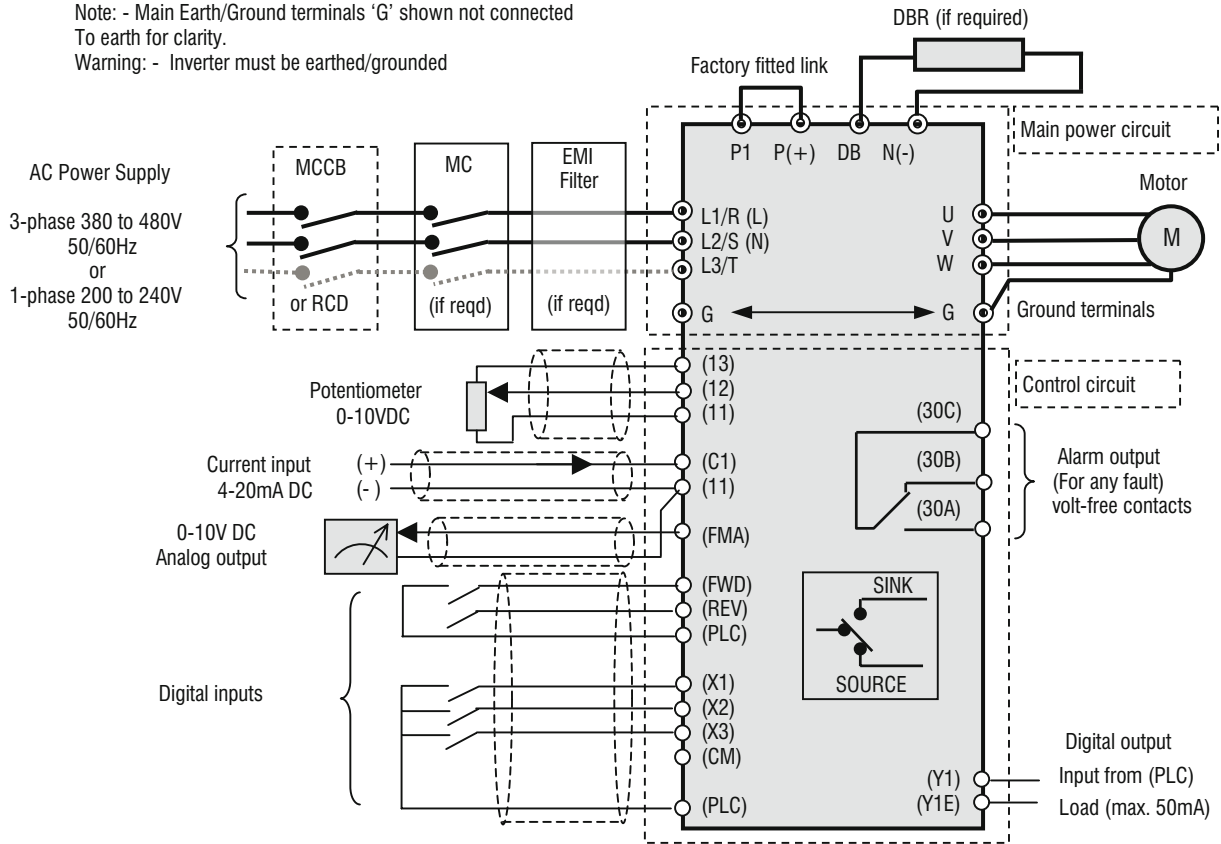
actual size

Options and ordering codes



Power & Control connections

Note: - Main Earth/Ground terminals 'G' shown not connected
To earth for clarity.
Warning: - Inverter must be earthed/grounded



Specifications & Dimensions

All Models:

- Overload (A) = 150% for 60s, 200% for 0.5s
- Maximum operating temperature = 50°C
- Maximum output frequency = 400Hz
- Carrier frequency = 0.75~15kHz

Frame size	H(mm)	H(inches)	W(mm)	W(inches)
1	120	4.72	80	3.15
2	130	5.12	110	4.33
3	180	7.09	140	5.51

Part Number CUB...	1-phase input 200-240V ±10% 50/60Hz ±5%							
	3A-1	3A-1E	5A-1	5A-1E	8A-1	8A-1E	11A-1	11A-1E
Motor rating (kW)	0.37/0.55	0.37/0.55	0.75/1.1	0.75/1.1	1.5	1.5	2.2	2.2
Motor rating (H.P)	0.5	0.5	1	1	2	2	3	3
Rated output current (A)	3.0	3.0	5.0	5.0	8.0	8.0	11.0	11.0
Frame size	1	1	1	2	2	3	3	3
Depth (mm)	97	117	142	141	151	184	141	184
Depth (inches)	3.82	4.60	5.50	5.55	5.94	7.24	5.55	7.28

Part Number CUB...	3-phase input 380-480V +10% -15% 50/60Hz ±5%									
	1A5-4	1A5-4E	2A5-4	2A5-4E	3A7-4	3A7-4E	5A5-4	5A5-4E	9A-4	9A-4E
Motor rating (kW)	0.37/0.55	0.37/0.55	0.75/1.1	0.75/1.1	1.5	1.5	2.2	2.2	3.7/4.0	3.7/4.0
Motor rating (H.P)	0.5	0.5	1	1	2	2	3	3	5	5
Rated output current (A)	1.5	1.5	2.5	2.5	3.7	3.7	5.5	5.5	9.0	9.0
Frame size	2	2	2	2	2	3	2	3	3	3
Depth (mm)	117	160	141	184	141	184	141	184	141	184
Depth (inches)	4.6	6.3	5.55	7.24	5.55	7.24	5.55	7.28	5.55	7.28