

# TOUCH-SAFE HEATER (SEMICONDUCTOR)

CS 060 | 50 W to 150 W



- > Low surface temperature
- > Quick mounting due to clip fixing
- > Double insulated (plastic)
- > Wide voltage range
- > Small size

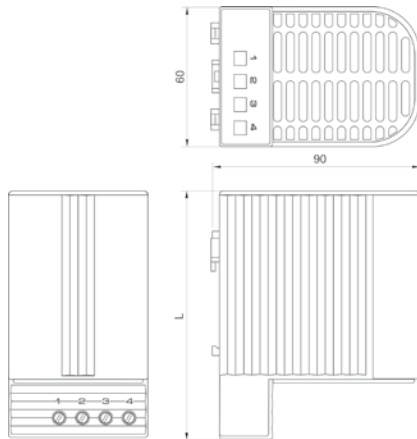
Touch-safe heater for the use in enclosures with electrical/electronic components. The design of the heater supports the natural convection which results in a high air-current of warm air. The surface temperatures on the accessible side surfaces of the housing are kept down as a result of the heater design. Our complete range of thermostats and hygrostats can directly be connected to the heater CS 060. This heater is also available in a version with plug-in thermostat requiring no additional wiring (CSF 060). The heaters are designed for permanent operation.



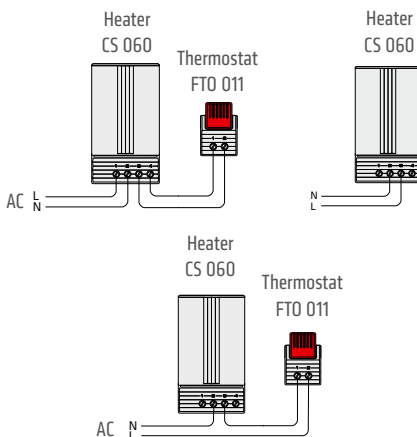
## TECHNICAL DATA

|                                  |  |
|----------------------------------|--|
| Operating voltage                | AC/DC 120 – 240 V <sup>1</sup> (min. 110 V, max. 265 V)  |
| Heating element                  | PTC resistor – temperature limiting                      |
| Surface temperature              | < +80 °C (+176 °F), except upper protective grille       |
| Connection                       | 4-pole terminal 2.5 mm <sup>2</sup> , torque 0.8 Nm max. |
| Casing                           | plastic according to UL94 V-0, black                     |
| Mounting                         | clip for 35 mm DIN rail, EN 60715                        |
| Fitting position                 | vertical airflow (air outlet up, connection on bottom)   |
| Operating/Storage temperature    | -45 to +70 °C (-49 to +158 °F)                           |
| Operating/Storage humidity       | max. 90 % RH (non-condensing)                            |
| Protection type/Protection class | IP20 / II (double insulated)                             |
| Approvals                        | VDE, UL File No. E150057, EAC                            |
| Note                             | other voltages on request                                |

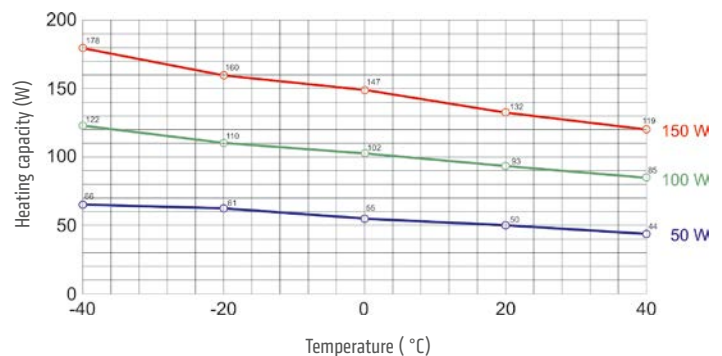
<sup>1</sup> Operating with voltages below AC/DC 140 V reduces heating performance by approx. 10 %.



Examples of connection



Heating capacity / Ambient temperature diagram CS 060



| Art. No.   | Heating capacity <sup>2</sup> | Inrush current (max.) | Recommended pre-fuse T (time-delay) | Air outlet temperature <sup>3</sup> | Dimensions       | Weight (approx.) |
|------------|-------------------------------|-----------------------|-------------------------------------|-------------------------------------|------------------|------------------|
| 06000.0-00 | 50 W                          | 2.5 A                 | 4.0 A                               | +86 °C (+186.8 °F)                  | 110 x 60 x 90 mm | 0.3 kg           |
| 06010.0-00 | 100 W                         | 4.5 A                 | 8.0 A                               | +120 °C (+248 °F)                   | 110 x 60 x 90 mm | 0.3 kg           |
| 06020.0-00 | 150 W                         | 8.0 A                 | 10.0 A                              | +145 °C (+293 °F)                   | 150 x 60 x 90 mm | 0.5 kg           |

<sup>2</sup> ambient temperature – see Heating capacity / ambient temperature diagram; <sup>3</sup> measured 50 mm above protective grille