



Product designation				Power contactor
Product type designation				BF80
<b>Contact characteristics</b>				
Number of poles	nr.			4
Rated insulation voltage U <sub>i</sub>	V			1000
Rated impulse withstand voltage U <sub>imp</sub>	kV			8
Operating frequency	Operational frequency min	Hz	25	
	Operational frequency max	Hz	400	
	Conventional free air thermal current I <sub>th</sub>	A	115	
Operating current	Operational current AC1 (≤40°C)	A	115	
	Operational current AC3 (≤440V ≤55°C)	A	80	
	Operational current AC4 (400V)	A	38	
Rated operational power AC1 (T≤40°C)	230V	kW	43	
	400V	kW	76	
	500V	kW	95	
	690V	kW	120	
Rated operational power AC3 (T≤55°C)	230V	kW	22	
	400V	kW	45	
	415V	kW	45	
	440V	kW	45	
	500V	kW	55	
	690V	kW	55	
	1000V	kW	37	
Short-time allowable current for 10s (IEC/EN60947-1)	A	640		
Protection fuse	gG (IEC)	A	125	
	aM (IEC)	A	80	
Making capacity (RMS value)	A	800		
Breaking capacity at voltage	Breaking capacity 440V	A	640	
	Breaking capacity 500V	A	625	
	Breaking capacity 690V	A	456	
Resistance per pole (average value)	mΩ	0.6		
Power dissipation per pole (average value)	Power dissipation pole (average value) I <sub>th</sub>	W	7.9	
	AC3	W	3.8	
Tightening torque for terminals	min	Nm	4	
	max	Nm	5	
	min	lbft	2.95	
	max	lbft	3.69	

Tightening torque for coil terminal

min	Nm	0.8
max	Nm	1
min	lbft	0.8
max	lbft	0.74

max number of wires simultaneously connectable

nr.	2
-----	---

Conductor section

AWG

min	14
max	2

Flexible w/o lug conductor section

min	mm <sup>2</sup>	1.5
max	mm <sup>2</sup>	35

Flexible c/w lug conductor section

min	mm <sup>2</sup>	1.5
max	mm <sup>2</sup>	35

Power terminal protection according to IEC/EN 60529

IP20 front

Auxiliary contact characteristics

Operational current AC1 (≤40°C)

A	115
---	-----

Operating current DC13

110V	A	Screw / DIN rail 35mm
------	---	--------------------------

Ambient conditions

Temperature

Operating temperature

min	°C	-50
max	°C	70

Storage temperature

min	°C	-60
max	°C	80

Max altitude

m	3000
---	------

Operating position

normal allowable	Vertical plan ±30°
---------------------	-----------------------

Mounting

Screw / DIN rail  
35mm

Weight

g	1.24
---	------

Operations

Mechanical life

Cycles	1500000
--------	---------

Electrical life

Cycles	1300000
--------	---------

Safety related data

Performance level B10d according to EN/ISO 13489-1

rated load	Cicli	1300000
mechanical load	Cicli	15000000

Mirror contats according to IEC/EN 609474-4-1

yes

EMC compatibility

yes

AC coil operating

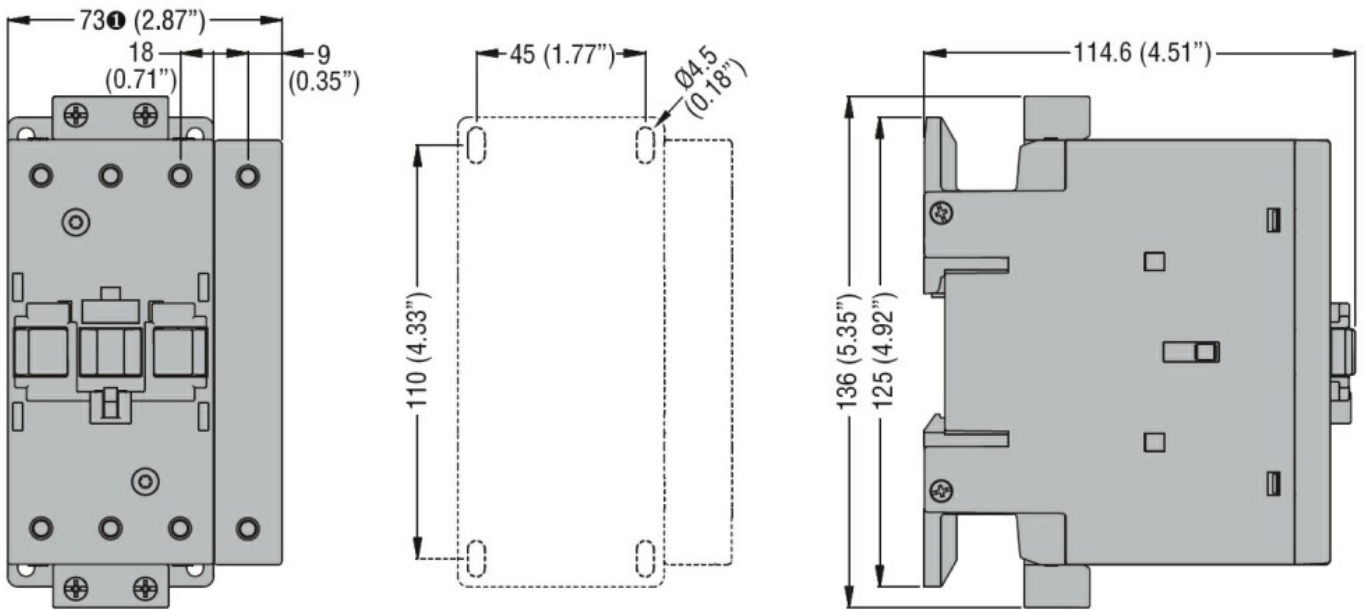
AC operating voltage

of 50/60Hz coil powered at 50Hz  
pick-up

min	%Us	0.8
max	%Us	1.1

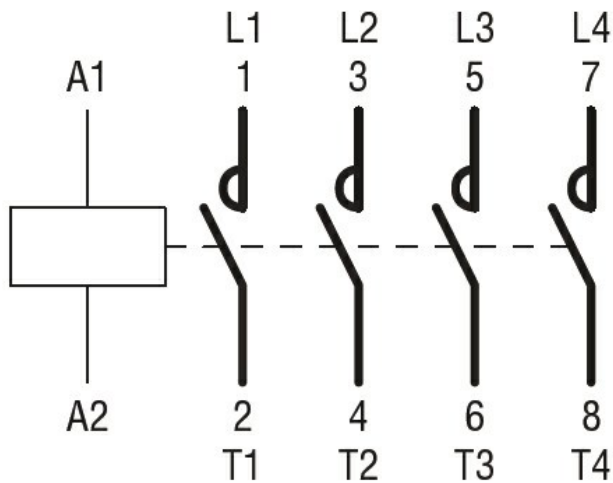
drop-out

		min	%Us	0.2
		max	%Us	0.55
of 50/60Hz coil powered at 60Hz				
	pick-up			
		min	%Us	0.85
		max	%Us	1.1
	drop-out			
		min	%Us	0.4
		max	%Us	0.55
of 60Hz coil powered at 60Hz				
	pick-up			
		min	%Us	0.8
		max	%Us	1.1
	drop-out			
		min	%Us	0.2
		max	%Us	0.55
<b>AC operating voltage</b>				
of 50/60Hz coil powered at 50Hz				
		in-rush	VA	210
		holding	VA	15
of 50/60Hz coil powered at 60Hz				
		in-rush	VA	195
		holding	VA	13
of 60Hz coil powered at 60Hz				
		in-rush	VA	210
		holding	VA	15
Dissipation at holding $\leq 20^{\circ}\text{C}$ 50Hz				
			W	5.0
<b>Max cycles frequency</b>				
Mechanical operations				
			Cycles/h	3600
<b>Operating times</b>				
Average time for Us control				
	in AC			
	Closing NO			
		min	ms	12
		max	ms	28
	Opening NO			
		min	ms	8
		max	ms	22
<b>UL technical data</b>				
Full-load current (FLA) for three-phase AC motor				
		at 480V	A	77
		at 600V	A	77
Yielded mechanical performance				
	for three-phase AC motor			
		at 200/208V	hp	25
		at 220/230V	hp	30
		at 460/480V	hp	60
		at 575/600V	hp	75
<b>General USE</b>				
	Contactor			
		AC current	A	32
<b>Other features</b>				
Pollution degree				
				3
<b>Dimensions</b>				



① BF80T2 82mm/3.23"

### Wiring diagrams



### Certifications and compliance

#### Certifications

CSA C22.2 n° 60947-1  
CSA C22.2 n° 60947-4-1  
IEC/EN 60947-1  
IEC/EN 60947-4-1  
UL 60947-1  
UL 60947-4-1

#### Compliance

cULus

### ETIM 6 classification

EC000066 - Power contactor, AC switching