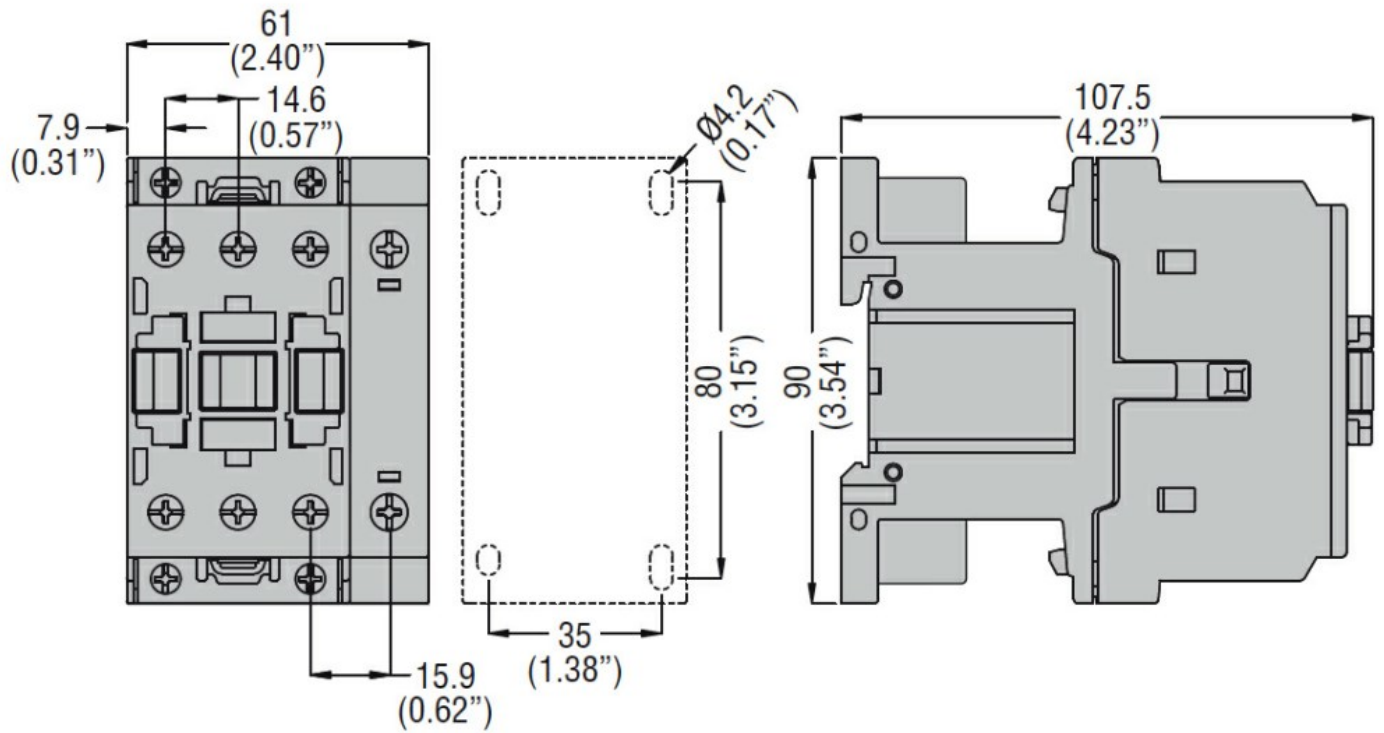




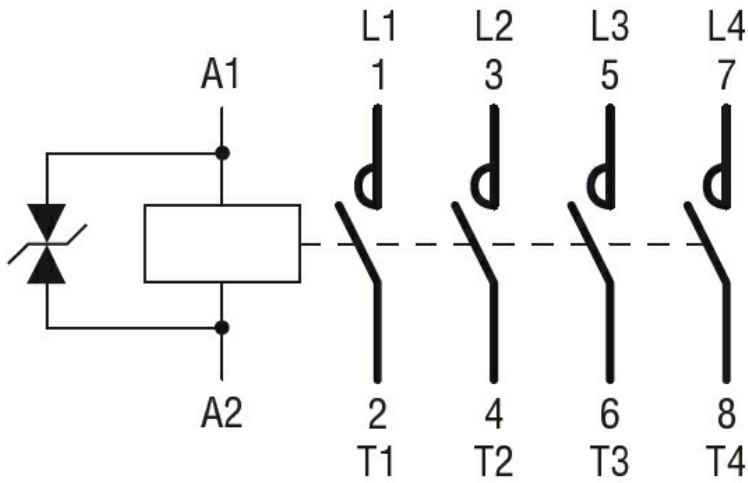
Product designation	Power contactor		
Product type designation	BF26		
Contact characteristics			
Number of poles	nr.	4	
Rated insulation voltage U _i	V	690	
Rated impulse withstand voltage U _{imp}	kV	6	
Operating frequency	Operational frequency min	Hz	25
	Operational frequency max	Hz	400
	Conventional free air thermal current I _{th}	A	45
Operating current	Operational current AC1 (≤40°C)	A	45
	Operational current AC3 (≤440V ≤55°C)	A	26
	Operational current AC4 (400V)	A	11.5
Rated operational power AC1 (T≤40°C)	230V	kW	17
	400V	kW	30
	500V	kW	37
	690V	kW	51
Rated operational power AC3 (T≤55°C)	230V	kW	7.3
	400V	kW	13
	415V	kW	14
	440V	kW	14
	500V	kW	15.6
	690V	kW	18.5
Short-time allowable current for 10s (IEC/EN60947-1)	A	210	
Protection fuse	gG (IEC)	A	50
	aM (IEC)	A	32
Making capacity (RMS value)	A	260	
Breaking capacity at voltage	Breaking capacity 440V	A	208
	Breaking capacity 500V	A	184
	Breaking capacity 690V	A	168
Resistance per pole (average value)	mΩ	2	
Power dissipation per pole (average value)	Power dissipation pole (average value) I _{th}	W	4
	AC3	W	1.4
Tightening torque for terminals	min	Nm	2.5
	max	Nm	3
	min	lbft	1.8
	max	lbft	2.2
Tightening torque for coil terminal			

		min	Nm	0.8
		max	Nm	1
		min	lbft	0.8
		max	lbft	0.74
<hr/>				
max number of wires simultaneously connectable			nr.	2
<hr/>				
Conductor section				
AWG				
		min		14
		max		6
<hr/>				
Flexible w/o lug conductor section				
		min	mm ²	2.5
		max	mm ²	16
<hr/>				
Flexible c/w lug conductor section				
		min	mm ²	1
		max	mm ²	10
<hr/>				
Flexible with insulated spade lug conductor section				
		min	mm ²	1
		max	mm ²	10
<hr/>				
Power terminal protection according to IEC/EN 60529				IP20 when wired
Auxiliary contact characteristics				
Operational current AC1 (≤40°C)				A 45
<hr/>				
Operating current DC13				110V A Screw / DIN rail 35mm
Ambient conditions				
Temperature				
Operating temperature				
		min	°C	-50
		max	°C	70
<hr/>				
Storage temperature				
		min	°C	-60
		max	°C	80
<hr/>				
Max altitude				m 3000
<hr/>				
Operating position				normal allowable Vertical plan ±30°
<hr/>				
Mounting				Screw / DIN rail 35mm
<hr/>				
Weight				g 0.666
Operations				
Mechanical life				Cycles 20000000
<hr/>				
Electrical life				Cycles 1600000
Safety related data				
Performance level B10d according to EN/ISO 13489-1				
		rated load	Cicli	1600000
		mechanical load	Cicli	20000000
<hr/>				
Mirror contacts according to IEC/EN 60947-4-1				yes
<hr/>				
EMC compatibility				yes
DC coil operating				
DC rated control voltage				min V 6
<hr/>				
DC operating voltage				
		pick-up		

		min	%Us	0.8
		max	%Us	1.10
drop-out				
		min	%Us	0.1
		max	%Us	0.40
Average coil consumption $\leq 20^{\circ}\text{C}$				
		in-rush	W	2.4
		holding	W	2.4
Max cycles frequency				
Mechanical operations			Cycles/h	3600
Operating times				
Average time for Us control				
in AC				
	Closing NO	min	ms	8
		max	ms	24
	Opening NO	min	ms	5
		max	ms	15
in DC				
	Closing NO	min	ms	76
		max	ms	92
	Opening NO	min	ms	16
		max	ms	20
UL technical data				
Full-load current (FLA) for three-phase AC motor				
		at 480V	A	21
		at 600V	A	22
Yielded mechanical performance				
for single-phase AC motor				
		at 110/120V	hp	2
		at 230V	hp	5
for three-phase AC motor				
		at 200/208V	hp	7.5
		at 220/230V	hp	7.5
		at 460/480V	hp	15
		at 575/600V	hp	20
General USE				
Contactor				
		AC current	A	32
Other features				
Pollution degree				3
Dimensions				



Wiring diagrams



Certifications and compliance

Certifications

- CSA C22.2 n° 60947-1
- CSA C22.2 n° 60947-4-1
- IEC/EN 60947-1
- IEC/EN 60947-4-1
- UL 60947-1
- UL 60947-4-1

Compliance

- CCC
- cULus
- EAC

ETIM 6 classification

EC000066 - Power contactor, AC switching