



wieland



## Data sheet

Commercial Art.No.: 58.504.9255.0

Earth terminal WT 4 E PE

Ground terminal with Screw connection for mounting on TS 35, nominal cross section:  
4 mm<sup>2</sup>, width: 6 mm, color: Green-yellow

Available from the UK's premier  
control gear distributor,  
iLECSYS Ltd, 01844 397300  
sales@ilecsys.co.uk

Commercial Art.No.	58.504.9255.0
EAN	4049088164477
Order Unit	100

Certificates / Approvals



SEV-Ex



## Technical data

### General

Nominal cross section	4 mm <sup>2</sup>
Colour	Green/yellow
Number of levels	2
Number of clamp positions per level	2
Width/grid dimension	6 mm
Insulating housing	PA666
Inflammability class of insulation material acc. with UL94	V0
Mounting method	DIN rail (top hat rail)
Terminal blocks for electrical installations	No

### Technical data

Rated voltage	800 V
Rated impulse voltage	8 kV
Pollution degree	3
Closing plate required	Yes
Type of insulation material	Thermoplastic
Length	73 mm

### Connection Data

Connection type 1	Screw connection
Connection type 2	Screw connection
Minimum cross section solid	0.14 mm <sup>2</sup>
Maximum cross section solid	6 mm <sup>2</sup>
Minimum cross section fine stranded	0.14 mm <sup>2</sup>
Maximum cross section fine stranded	6 mm <sup>2</sup>
Maximum conductor cross section (flex., stranded) with cable end sleeve	0.5 mm <sup>2</sup>

Maximum conductor cross section (flex., stranded) with cable end sleeve	4 mm <sup>2</sup>
Wire strip length	9 mm
Torque conductor mounting	0.5 Nm

#### Technical Data UL/CSA

Cross section UL	26-10 AWG
Voltage UL	300 V
Cross section CSA	26-10 AWG
Voltage CSA	300 V

#### Classification

ECLASS 8.1	27141141
ETIM 7.0	EC000901
ETIM 6.0	EC000901
ETIM 5.0	EC000901
ETIM 4.0	EC000901
ETIM 3.0	EC000901

#### Accessories

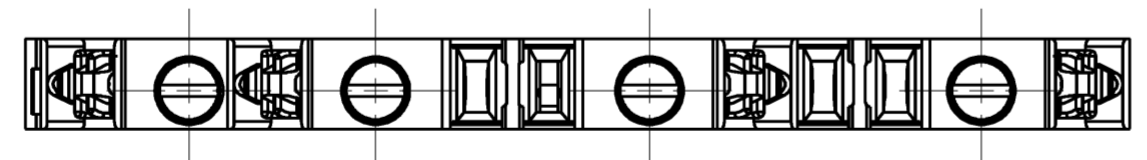
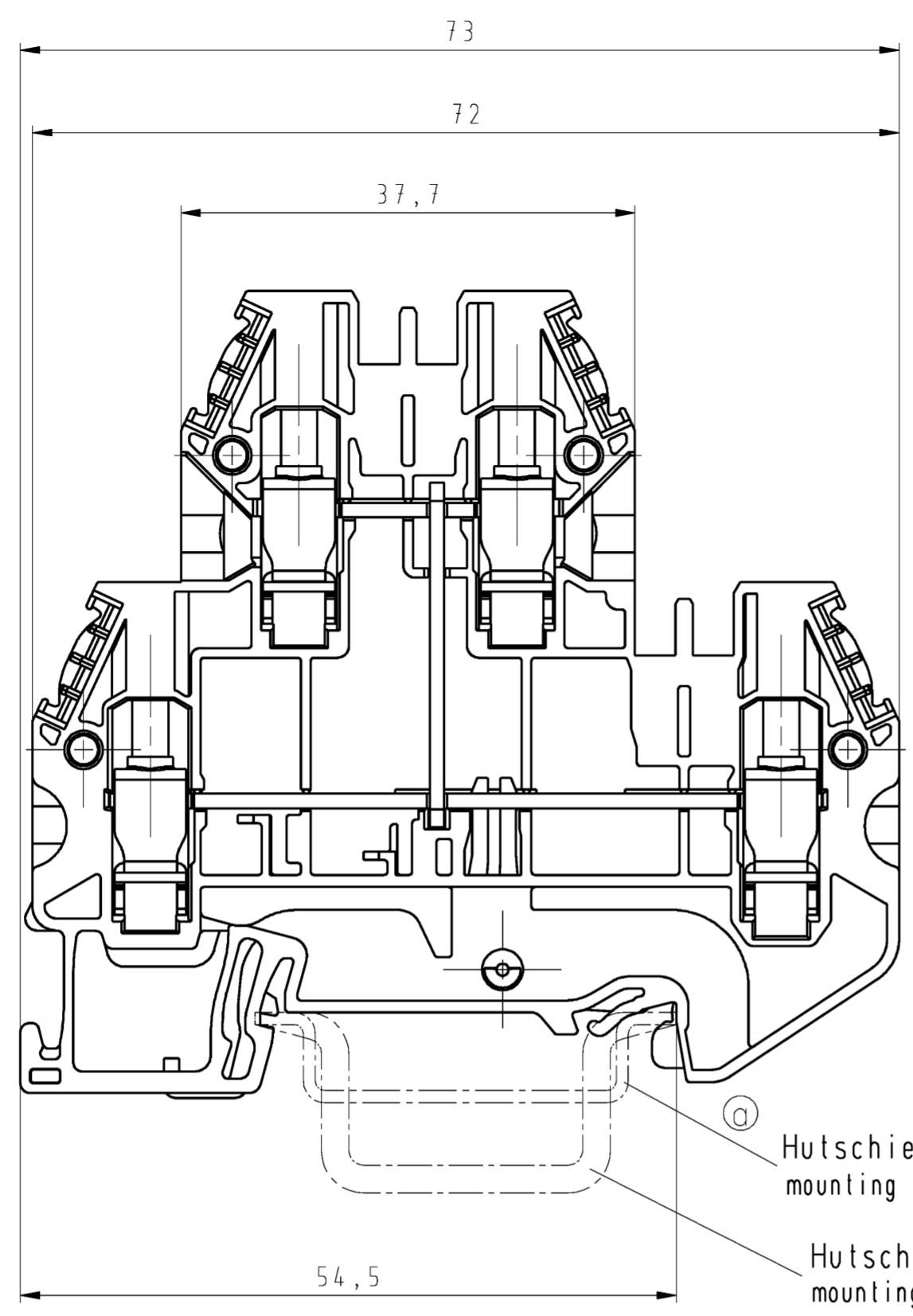
Commercial Art.No.:	Article-type description:	Description:
Z7.261.1227.0	Jumper bar IVB WKF 4 - 2	Cross connector, insulated for DIN rail terminal blocks type WKF..., 2 - pole
Z7.261.1327.0	Jumper bar IVB WKF 4 - 3	Cross connector, insulated for DIN rail terminal blocks type WKF..., 3 - pole
Z7.261.1427.0	Jumper bar IVB WKF 4 - 4	Cross connector, insulated for DIN rail terminal blocks type WKF..., 4 - pole
Z7.261.1527.0	Jumper bar IVB WKF 4 - 5	Cross connector, insulated for DIN rail terminal blocks type WKF..., 5 - pole
Z7.261.1627.0	Jumper bar IVB WKF 4 - 6	Cross connector, insulated for DIN rail terminal blocks type WKF..., 6 - pole
Z7.261.1727.0	Jumper bar IVB WKF 4 - 7	Cross connector, insulated for DIN rail terminal blocks type WKF..., 7 - pole
Z7.261.1827.0	Jumper bar IVB WKF 4 - 8	Cross connector, insulated for DIN rail terminal blocks type WKF..., 8 - pole
Z7.261.1927.0	Jumper bar IVB WKF 4 - 9	Cross connector, insulated for DIN rail terminal blocks type WKF..., 9 - pole
Z7.261.2027.0	Jumper bar IVB WKF 4 - 10	Cross connector, insulated for DIN rail terminal blocks type WKF..., 10 - pole
98.300.0000.0	Mounting rail TS 35x7,5 UNPERF - l:2000mm	Mounting rail TS 35, unslotted, size 7,5 mm, length 2 m, material steel. galv. zinc-plated and dichromated
98.300.1000.0	Mounting rail TS 35x7,5 PERF 15mm - l:2000mm	Mounting rail TS 35, slotted, size 7,5 mm, length 2 m, material steel. galv. zinc-plated and dichromated
98.300.1900.0	Mounting rail TS 35x7,5 PERF 25mm - l:2000mm	Mounting rail TS 35, slotted, size 7,5 mm, length 2 m, material steel. galv. zinc-plated and dichromated
98.360.0000.0	Mounting rail TS 35x15-2,3 UNPERF - l:2000mm	Mounting rail TS 35, unslotted, size 15 mm, length 2 m, material steel. galv. zinc-plated and dichromated
98.360.0004.0	Mounting rail TS 35x15-2,3 UNPERF FZN - l:2000mm	Mounting rail TS 35, unslotted, size 15 mm, length 2 m, material steel, hot galvanized
98.370.0000.0	Mounting rail TS 35x15 UNPERF - l:2000mm	Mounting rail TS 35, unslotted, size 15 mm, length 2 m, material steel. galv. zinc-plated and dichromated

98.370.1000.0	Mounting rail TS 35x15 PERF 15mm - l:2000mm	Mounting rail TS 35, slotted, size 15 mm, length 2 m, material steel. galv. zinc-plated and dichromated
98.380.0000.0	Mounting rail TS 35x15-2,3 UNPERF CU - l:2000mm	Mounting rail TS 35, unslotted, size 15 mm, length 2 m, material E copper
Z1.299.9753.0	Test plug PS WKC/F OB	Test plug with tension spring connection for DIN rail terminal blocks, for 2.5mm <sup>2</sup> and 5mm wide resp. 4mm <sup>2</sup> and 6mm wide
07.313.2855.0	Partition TW WT 4... GR	Partition for DIN rail terminal blocks type WT 2,5, WT 4, WT 6 and WT 10..., color: green
07.313.3355.0	End plate AP WT 4 E GR	End plate for DIN rail terminal blocks type WT 4 E..., color: grey
Z5.522.7453.0	End bracket 9708 / S35	End clamp for mounting rail TS 35
Z5.522.8553.0	End bracket 9708 / 2 S 35	End clamp for mounting rail TS 35
Z5.523.5653.0	End bracket WE 2/U	End clamp for mounting rail TS 35 and TS 32
Z5.523.5753.0	End bracket WE 1/U	End clamp for mounting rail TS 35 and TS 32
Z5.523.9353.0	End bracket WEF 1/35	End clamp for mounting rail TS 35

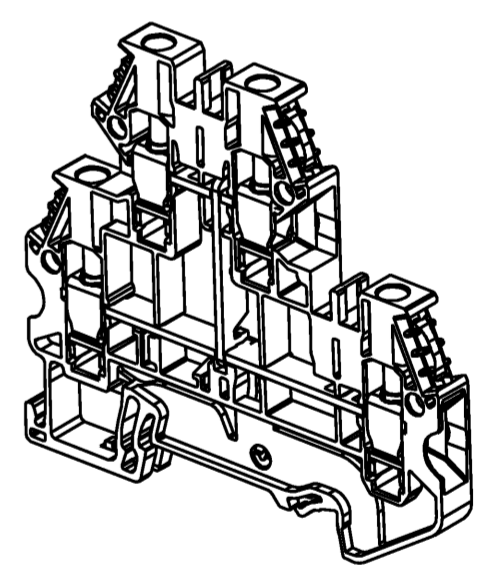
Weitergabe sowie Vervielfältigung dieses Dokuments, Verwertung und Mitteilung seines Inhalts sind verboten, soweit nicht ausdrücklich gestattet. Die Reproduktion, Verbreitung und Nutzung dieses Dokuments, sowie die Kommunikation mit Dritten, ohne schriftliche Genehmigung der WIELAND AG, ist ausdrücklich untersagt.

These dimensions will be especially checked at delivery  
 Only inspection dimensions  
 With these dimensions are only valid for internal use

Diese Maße werden bei Abnahme besonders geprüft  
 Ausschließlich Prüfmaße  
 Mit diesen Abmessungen sind nur für interne Zwecke gültig



M/scale 1:1



\* = spezielle Verpackung / special package

Teile-Nr. part-no.	Farbe color
58.504.9255.0	grün/gelb (marmoriert)
* 58.504.9295.0	green/yellow (marmorated)

Tolerierung Size ISO 14405 © / Tolerance system Size ISO 14405 © (This ISO-standard describes the envelope principle. According to the envelope principle the deviations of form and parallelism are limited by the size tolerances)		ja/yes <input checked="" type="checkbox"/> Stoffverbot- und Deklarationsliste nach WN 5020.010 ist einzuhalten. (Conformity with Wieland document WN 5020.010 e (list of prohibited / declarable hazardous substances) to be declared!)	
Freitoleranz nach General tolerance		CAD - Zeichnung, keine manuellen Änderungen CAD - drawing, no manual modifications allowed	
1. Verwendung: First Use:		Blatt: 1 von 1 Sheet: 1 of 1	
Werkstoff / Material	Tag/Date	Name	Zeichnung Nr. / Drawing No.
	18.01.2013	Eller	58.504.9255.001K
Maßstab / Scale	gezeichnet drawn	geprüft checked	Index
2:1		Nachgepr. Stand check	a
Vol.	mm <sup>3</sup> Dfl./Srf.	mm <sup>2</sup>	Ersatz für / Replacement for:
			Type
a	02.05.2017 / Datum / Blatt Date / Sheet	Benennung/Title	
Index		Schutzleiterklemme ground terminal block	
Änderung / Revision		Schutzleiterklemme ground terminal block	