

Data sheet

Commercial Art.No.: 96.032.5053.1

device connector RST20I3S S1 M01V SW

RST® CLASSIC device connector, standard, straight, M25, number of poles 3, model male, connection type screw connection, rated voltage 250 V, rated current 20 A, color of coding/ contact carrier black



Commercial Art.No.	96.032.5053.1
EAN	4015573793262
Order Unit	1

certificates / approvals



LR RINA



Technical data

general

rated current	20 A
rated voltage	250 V
pollution degree	3
rated impulse voltage	4 kV
continuity resistor	0.55 mOhm
lockable	self-locking (unlocking by tool)
color of coding/ contact carrier	black
Pole codification	L, N, PE

connection data

connection cross section solid mm ² max.	6 mm ²
connection cross section solid mm ² min.	0.75 mm ²
connection cross section fine stranded mm ² max.	6 mm ²
connection cross section fine stranded mm ² min.	0.75 mm ²
terminations per pole	1
wire strip length	8 mm

technical data UL

connection cross section solid AWG min.	16 AWG
connection cross section solid AWG max.	10 AWG
connection cross section stranded AWG min.	16 AWG

model

model	male
-------	------

connection type	screw connection
connecting thread metric	M25
angle of plug	straight
degree of protection (IP)	IP66/68 (3m;2h) /IP69
thickness of housings (electrical device)	0.5 mm
thickness of housings (electrical device)	8 mm

material

housing material	polyamide
halogen free	yes
contact material	CuZn
fire load	0.114 kWh/St
insulation components continuous temperature	100 °C
surface finish	silver-plated

dimensions

length	48.1 mm
width	35 mm
height	35 mm

note

note	RST® terminals with screw clamping allow the connection of conductors without special preparation (without ferrules) according to EN 60999-1.; positioning realised with flattened thread
------	---

classification

ECLASS 11	
ECLASS 8.1	27440602
ETIM 9.0	EC002566
ETIM 8.0	EC002566
ETIM 7.0	EC002566
ETIM 6.0	EC002566
ETIM 5.0	EC002566
ETIM 4.0	EC002566

product compliance

ROHS conformity status	compliant/exempted
ROHS exceptions	III-6(c)
REACH-SVHC conformity status	Duty-To-Declare
REACH-SVHC substances	Lead
REACH-SVHC CAS numbers	7439-92-1

Accessories

Commercial Art.No.:	Article-type description:	Description:
05.564.4453.1	cover for male connector SW	RST20i3/2 cover piece, for covering unused male connectors, color black
99.416.6205.2	cover for male connector SW	RST20i3/2 cover piece, for covering unused male connectors, with fastening belt, color black

Fits with

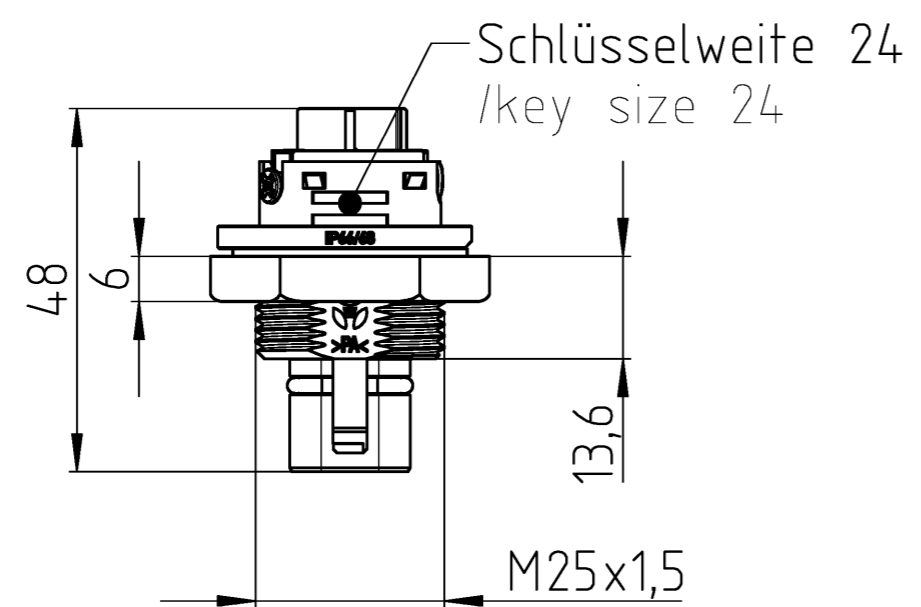
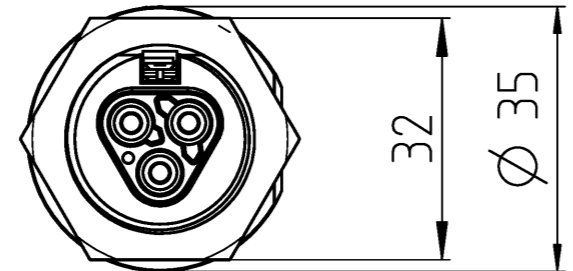
Commercial Art.No.:	Article-type description:	Description:
96.031.4053.1	connector RST20I3S B1 ZR1 SW	RST® CLASSIC connector, straight, number of poles 3, female, connection type screw connection, rated voltage 250 V, rated current 20 A, cable diameter 6 - 10 mm, color of coding/ contact carrier black
96.031.4153.1	connector RST20I3S B1 ZR2 SW	RST® CLASSIC connector, straight, number of poles 3, female, connection type screw connection, rated voltage 250 V, rated current 20 A, cable diameter 10 - 14 mm, color of coding/ contact carrier black
96.031.4553.1	connector RST20I3S B1 ZR3 SW	RST® CLASSIC connector, straight, number of poles 3, female, connection type screw connection, rated voltage 250 V, rated current 20 A, cable diameter 13 - 18 mm, color of coding/ contact carrier black
96.033.4053.1	connector RST20I3S B1 YR1 SW	RST® CLASSIC connector, angled 90°, number of poles 3, female, connection type screw connection, rated voltage 250 V, rated current 20 A, cable diameter 6 - 10 mm, color of coding/ contact carrier black
96.033.4153.1	connector RST20I3S B1 YR2 SW	RST® CLASSIC connector, angled 90°, number of poles 3, female, connection type screw connection, rated voltage 250 V, rated current 20 A, cable diameter 10 - 14 mm, color of coding/ contact carrier black
96.031.4253.1	connector RST20I3S B1 ZRX SW	RST® CLASSIC connector, splitter connector, number of poles 3, female, connection type screw connection, rated voltage 250 V, rated current 20 A, cable diameter 6 - 10 mm, color of coding/ contact carrier black
96.031.4353.1	connector RST20I3S B1 ZRY SW	RST® CLASSIC connector, splitter connector, number of poles 3, female, connection type screw connection, rated voltage 250 V, rated current 20 A, cable diameter 10 - 14 mm, color of coding/ contact carrier black
96.031.4A53.1	connector RST20I3S B1 ZR5 SW	RST® CLASSIC connector, straight, number of poles 3, female, connection type screw connection, rated voltage 250 V, rated current 20 A, cable diameter 8 - 12 mm, color of coding/ contact carrier black

A
 © Alle Rechte vorbehalten
 © All rights reserved
 Vertraulichkeitsklasse
 Confidentiality Class: Vertraulich
 Confidential

B
 These dimensions will be especially checked at delivery
 Only inspection dimensions
 With /E marked dimensions are only valid for internal use

C
 Diese Maße werden bei Abnahme besonders geprüft
 Ausschließlich Prüfmaße
 Mit /E gekennzeichnete Maße sind nur für interne Zwecke gültig

F

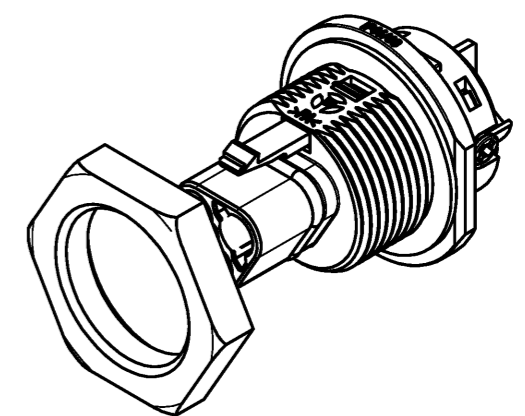
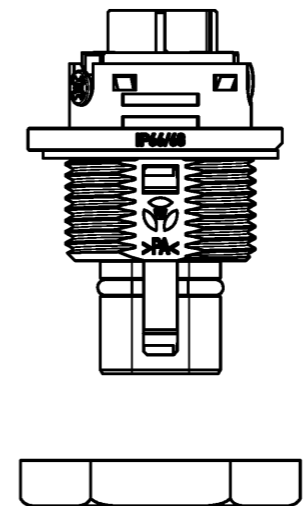


Öffnungsbild siehe 96.031.1053.1 14K
 /opening dimension see 96.031.1053.1 14K



Auslieferungszustand
 /delivery status

Verpackungseinheit: je 100 Stück
 /packaging unit: per 100



96.032.5053.1	RST2013S S1 M01V SW	schwarz /black
96.032.5053.0	RST2013S S1 M01V GL	lichtgrau /lightgrey
Bestellnummer /order number	Typ /type	Farbe /color
Weitere Daten siehe KATALOG oder eKatalog additional data see CATALOG or eCATALOG		www.wieland-electric.com eshop.wieland-electric.com

Tolerierung Size ISO 14405 © / Tolerance system Size ISO 14405 ©. (This ISO-standard describes the envelope principle. According to the envelope principle the deviations of form and parallelism are limited by the size tolerances). ja/yes Stoffverbots- und Deklarationsliste nach WN 5020.010 ist einzuhalten. Conformity with Wieland document WN 5020.010 e (list of prohibited / declarable hazardous substances) to be declared!

Freitoleranz nach General tolerance CAD - Zeichnung, keine manuellen Änderungen CAD - drawing, no manual modifications allowed 1. Verwendung: First Use: Blatt: 1 von 1 Sheet: 1 of 1

Werkstoff / Material		Tag/Date	Name	Zeichnung Nr. / Drawing No.		Index
Maßstab / Scale		gezeichnet drawn	10.07.2015	HoffmannT	T 96.032.5053.0 13K	a
1:1		Elektronische Freigabe Electronic Release		Maße in mm / Dimensions are in mm		
Vol. mm ³ / OfL./Srf. mm ²		Ersatz für / Replacement for:				
a 13.09.2024 / Datum / Blatt / Date / Sheet		Type		Benennung/Title		
Änderung / Revision		wieland		STECKERTEIL male connector		