

Data sheet

Commercial Art.No.: 46.051.4554.1

connector RST16I5/4S B1 ZT6 SW

RST® MINI connector, straight, number of poles 4, female, connection type screw connection, rated voltage 250 V / 400 V, rated current 16 A, cable diameter 7.1 - 13 mm, color of coding/ contact carrier black



Commercial Art.No.	46.051.4554.1
EAN	4049088290046
Order Unit	1

certificates / approvals



LR RINA



Technical data

general

rated current	16 A
rated voltage	250 V / 400 V
rated impulse voltage	4 kV
strain relief	yes
pollution degree	3
lockable	self-locking (unlocking by hand)
color of coding/ contact carrier	black
Pole codification	1, 2, 3, PE
color of housing inclusive strain relief	black
RAL-Nummer Codierung/Kontakteinsatz	9005

connection data

cable diameter max.	13 mm
cable diameter min.	7.1 mm
connection cross section solid mm ² max.	2.5 mm ²
connection cross section solid mm ² min.	0.25 mm ²
connection cross section fine stranded mm ² max.	2.5 mm ²
connection cross section fine stranded mm ² min.	0.25 mm ²
terminations per pole	1
sheath strip length	25 mm
wire strip length	8 mm

technical data UL

rated voltage UL	600 V
rated current UL	16 A
connection cross section solid AWG min.	22 AWG
connection cross section solid AWG max.	14 AWG
connection cross section stranded AWG min.	22 AWG
connection cross section stranded AWG max.	14 AWG
degree of protection (NEMA)	4, 4X, 6, 6P
UL classification housing	UL-V2
UL classification strain relief	UL-V0

model

model	female
connection type	screw connection
degree of protection (IP)	IP66/68 (3m;2h) /IP69

material

housing material	polyamide
halogen free	yes
contact material	CuZn
fire load	0.174 kWh/St
insulation components continuous temperature	100 °C
surface finish	silver-plated

dimensions

length	81 mm
width	24.9 mm
height	24.9 mm

note

note	RST® terminals with screw clamping allow the connection of conductors without special preparation (without ferrules) according to EN 60999-1.
------	---

classification

ECLASS 11	
ECLASS 8.1	27440605
ETIM 9.0	EC002560
ETIM 8.0	EC002560
ETIM 7.0	EC002560
ETIM 6.0	EC002560
ETIM 5.0	EC002560
ETIM 4.0	EC002560

product compliance

ROHS conformity status	compliant
REACH-SVHC conformity status	compliant

Accessories

Commercial Art.No.:	Article-type description:	Description:
06.563.9053.1	cover for female connector SW	RST16i5/4 cover piece, for covering unused female connectors, color black
06.563.9153.1	cover for female connector SW	RST16i5/4 cover piece, for covering unused female connectors, with fastening belt, color black

Fits with

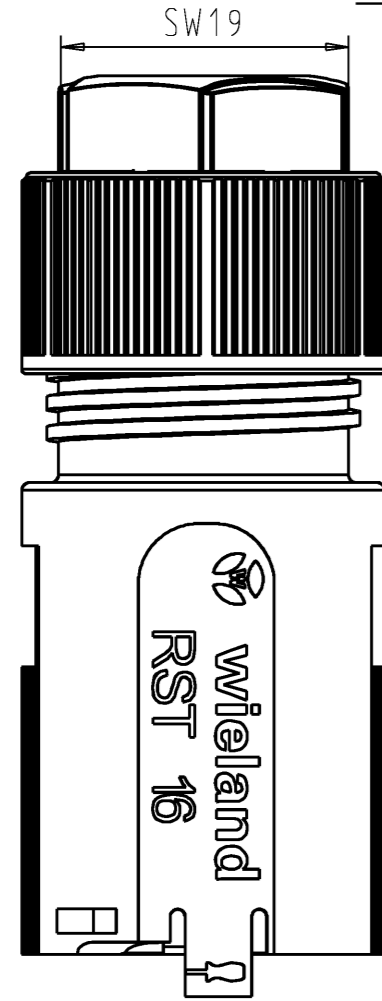
Commercial Art.No.:	Article-type description:	Description:
46.052.4554.1	connector RST16i5/4S S1 ZT6 SW	RST® MINI connector, straight, number of poles 4, male, connection type screw connection, rated voltage 250 V / 400 V, rated current 16 A, cable diameter 7.1 - 13 mm, color of coding/ contact carrier black
46.052.5054.1	device connector RST16i5/4S S1 M03 SW	RST® MINI device connector, standard, straight, M20.2, number of poles 4, model male, connection type screw connection, rated voltage 250 V / 400 V, rated current 16 A, color of coding/ contact carrier black
46.050.0154.1	distributor RST16i4B 3P1 F G V SW	RST® MINI compact distributor 1I / 3O, rated voltage 250 V / 400 V, rated current 16 A, number of poles 4, degree of protection (ip) IP66/68 (3m 2h) /IP69, number of inputs 1, number of outputs 3, pole codification 1, 2, 3, PE, color of coding/ contact carrier black, ral number coding/contact inse
46.052.M054.1	device connector RST16i5/4 S D03 MSW	RST® MINI device connector, modular, straight, M20, number of poles 4, model male, connection type spring clamp connection, rated voltage 250 V / 400 V, rated current 16 A, color of coding/ contact carrier black
46.052.M0L1.1	device connector RST16i5/4 2 D03 MSW	RST® MINI device connector, modular, straight, M20, number of poles 4, model male, connection type spring clamp connection, rated voltage 250 V / 400 V, rated current 16 A, longitudinal sealing yes, color of coding/ contact carrier black
46.050.1254.1	distributor RST16i4V 2P1 TGVG SW	RST® MINI distribution block 1I / 2O, rated voltage 250 V / 400 V, rated current 16 A, number of poles 4, degree of protection (ip) IP66/68 (3m 2h) /IP69, number of inputs 1, number of outputs 2, pole codification 1, 2, 3, PE, color of coding/ contact carrier black, ral number coding/contact inse

A Weitergabe sowie Vervielfältigung dieses Dokuments, Verwertung und Mitteilung seines Inhalts sind verboten, soweit nicht ausdrücklich gestattet. The reproduction, distribution and utilization of this document as well as the communication of its contents to others without express authorization is prohibited.

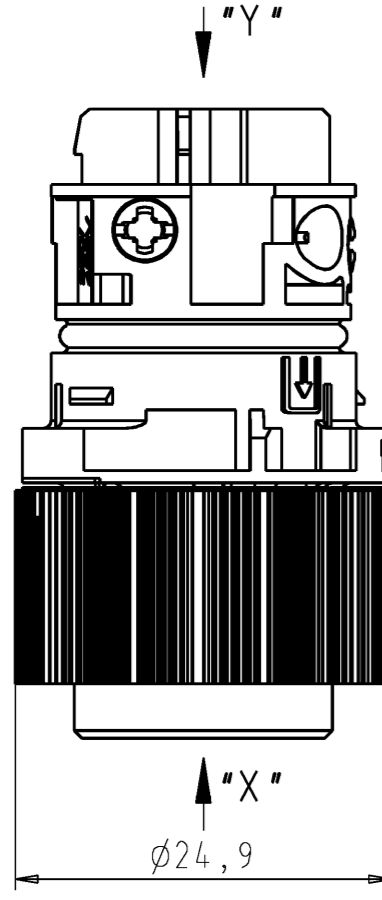
B These dimensions will be especially checked at delivery Only inspection dimensions With /E marked dimensions are only valid for internal use

C Diese Maße werden bei Abnahme besonders geprüft Ausschließlich Prüfmaße Mit /E gekennzeichnete Maße sind nur für interne Zwecke gültig

F

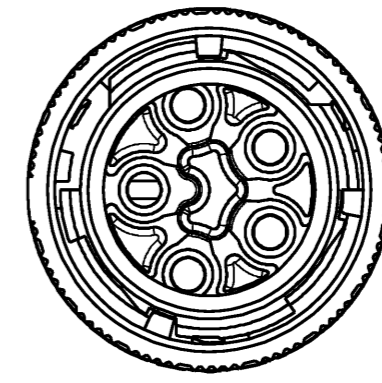
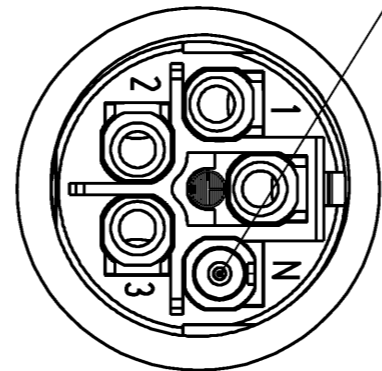


2 Auslieferungszustand
delivery condition



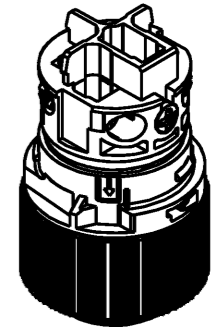
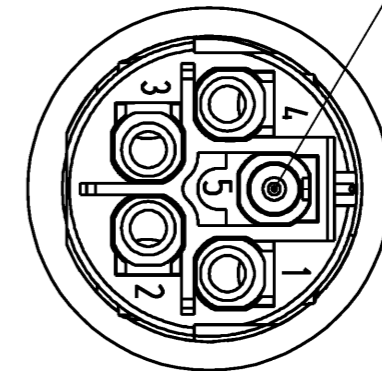
"X"
46.051.4554.0/.1

"Y"
Pol nicht montiert
pol not mounted



"X"
46.051.4551.4

"Y"
Pol nicht montiert
pol not mounted



1:1

Weitere Daten siehe KATALOG oder eKatalog
additional data see CATALOG or eCATALOG www.wieland-electric.com
eshop.wieland-electric.com

Teile - Nr. part - no.	Typ type	Farbe colour
46.051.4554.0	RST1615/4S B1 ZT6 GL	lichtgrau/light grey RAL 7035
46.051.4554.1	RST1615/4S B1 ZT6 SW	schwarz/black RAL 9005
46.051.4551.4	RST1615/4S B1 ZT6S L BR	signalbraun/signal brown RAL 8002

Tolerierung Size ISO 14405 © / Tolerance system Size ISO 14405 ©. ja/yes Stoffverbots- und Deklarationsliste nach WN 5020.010 ist einzuhalten. (This ISO-standard describes the envelope principle. According to the envelope principle the deviations of form and parallelism are limited by the size tolerances.) Conformity with Wieland document WN 5020.010 e (list of prohibited / declarable hazardous substances) to be declared!

Freitoleranz nach General tolerance	CAD - Zeichnung, keine manuellen Änderungen CAD - drawing, no manual modifications allowed	1. Verwendung: First Use:	Blatt: 1 von 1 Sheet: 1 of 1
--	---	------------------------------	---------------------------------

Werkstoff / Material	Tag/Date	Name	Zeichnung Nr. / Drawing No.	Index
Maßstab / Scale	gezeichnet drawn	Treschan		
2:1	geprüft checked		T 46.051.4554.0 01K	a
Vol. mm ³ Dfl./Srf. mm ²	Normgepr. Stand. check			

a	03.40.2019 /	www.wieland www.wieland-electric.com	RST16...	BU_MIT_ZUGENTL_FA_4P femal with strain relief 4P RST
Index	Datum / Blatt Date / Sheet			
Änderung / Revision				