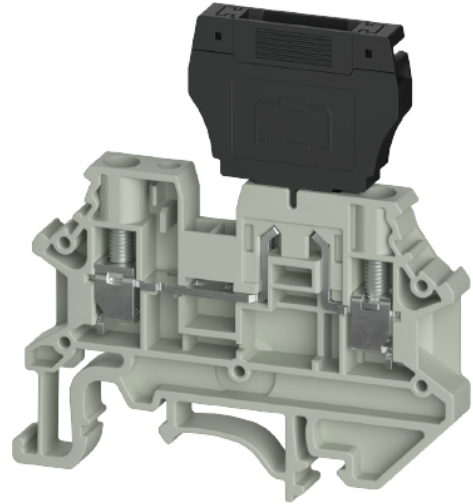


Data sheet

Commercial Art.No.: 5D.SB4.4055.0

connector disconnect terminal WTN 4 S TKG

connector disconnect terminal WTN 4 S TKG rated voltage 800 V, rated current 6 A, screw connection, number of levels 1, number of clamp positions per level 2, nominal cross section 4 mm², connectable conductor cross section fine stranded without cable end sleeve 0,34mm² - 4mm², mounting method DIN rail (top hat rail), color grey, width/grid dimension 6.1 mm, inflammability class of insulation material acc. with ul94 V0



Commercial Art.No.	5D.SB4.4055.0
EAN	4049088725906
Order Unit	50

certificates / approvals



Technical data

general

nominal cross section	4 mm ²
color	grey
number of levels	1
number of clamp positions per level	2
width/grid dimension	6.1 mm
insulating housing	PA
inflammability class of insulation material acc. with UL94	V0
mounting method	DIN rail (top hat rail)
Anschlussart	screw connection
Anzahl der Klemmstellen je Etage	2
Montageart	DIN rail (top hat rail)
Brennbarkeitsklasse des Isolierstoffs	V0

technical data

rated current	6 A
rated voltage	800 V
rated impulse voltage	8 kV
pollution degree	3
closing plate required	yes
type of insulation material	thermoplastic
length	57.8 mm
width	6.1 mm

height	63.2 mm
--------	---------

connection data

connection type	screw connection
connection type 1	screw connection
minimum cross section solid	0.34 mm ²
maximum cross section solid	6 mm ²
minimum cross section fine stranded	0.34 mm ²
maximum cross section fine stranded	4 mm ²
minimum conductor cross section (flex., stranded) with cable end sleeve	0.5 mm ²
maximum conductor cross section (flex., stranded) with cable end sleeve	2.5 mm ²
wire strip length	10 mm
torque conductor mounting	0.5 Nm

technical data UL/CSA

cross section UL	22-10 AWG
voltage UL	600 V
current factory wiring	6 A
current field wiring	6 A
cross section CSA	22-10 AWG
voltage CSA	600 V
current CSA	6 A

classification

ETIM 9.0	EC000902
----------	----------

product compliance

ROHS conformity status	compliant
REACH-SVHC conformity status	compliant

Accessories

Commercial Art.No.:	Article-type description:	Description:
0D.S04.3227.5	jumper bar IVB WTN 4-2	jumper bar IVB WTN 4-2 modular spacing 6.1 mm, insulated yes, number of poles 2, color red, height 19.7 mm, mounting method pluggable, inflammability class of insulation material acc. with ul94 V0
0D.S04.3327.5	jumper bar IVB WTN 4-3	jumper bar IVB WTN 4-3 modular spacing 6.1 mm, insulated yes, number of poles 3, color red, height 19.7 mm, mounting method pluggable, inflammability class of insulation material acc. with ul94 V0
0D.S04.3427.5	jumper bar IVB WTN 4-4	jumper bar IVB WTN 4-4 modular spacing 6.1 mm, insulated yes, number of poles 4, color red, height 19.7 mm, mounting method pluggable, inflammability class of insulation material acc. with ul94 V0
0D.S04.3527.5	jumper bar IVB WTN 4-5	jumper bar IVB WTN 4-5 modular spacing 6.1 mm, insulated yes, number of poles 5, color red, height 19.7 mm, mounting method pluggable, inflammability class of insulation material acc. with ul94 V0
0D.S04.4027.5	jumper bar IVB WTN 4-10	jumper bar IVB WTN 4-10 modular spacing 6.1 mm, insulated yes, number of poles 10, color red, height 19.7 mm, mounting method pluggable, inflammability class of insulation material acc. with ul94 V0

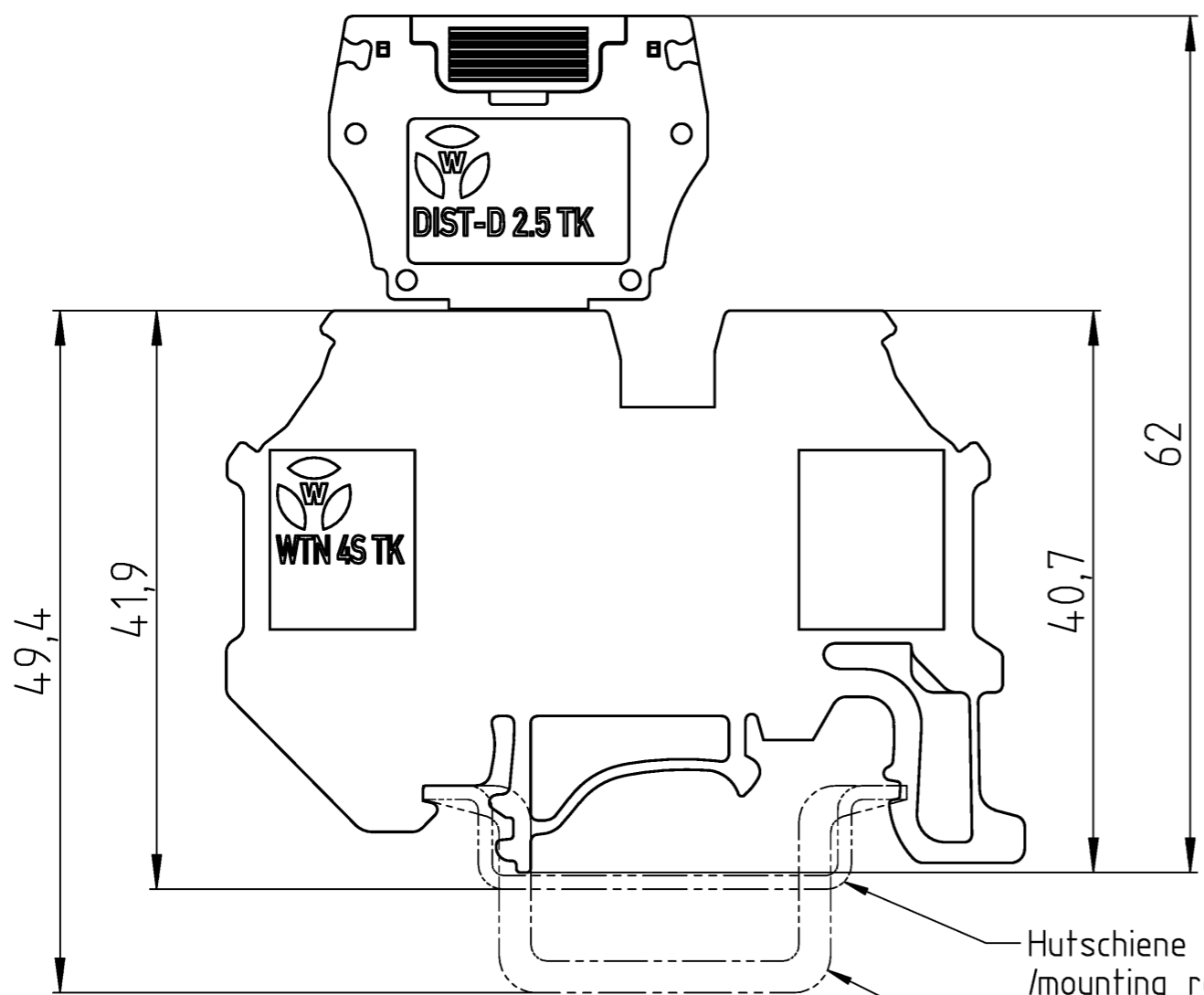
0D.202.7281.0	marking strips WML 9.8/60	marking strips WML 9.8/60 material plastic, color white, length 230 mm, height 15.1 mm, inflammability class of insulation material acc. with ul94 V0
0D.204.7056.0	marking plate WMP 6.10-10	marking plate WMP 6.10-10 modular spacing 6.1 mm, material plastic, color white, length 128 mm, height 76 mm, inflammability class of insulation material acc. with ul94 V0
0D.S05.3227.0	insert bridge IVB WTN 4-2 IN	insert bridge IVB WTN 4-2 IN modular spacing 6.1 mm, insulated yes, number of poles 2, color grey, height 20.3 mm, mounting method screwable, inflammability class of insulation material acc. with ul94 V0
0D.S05.3327.0	insert bridge IVB WTN 4-3 IN	insert bridge IVB WTN 4-3 IN modular spacing 6.1 mm, insulated yes, number of poles 3, color grey, height 20.3 mm, mounting method screwable, inflammability class of insulation material acc. with ul94 V0
0D.S05.3427.0	insert bridge IVB WTN 4-4 IN	insert bridge IVB WTN 4-4 IN modular spacing 6.1 mm, insulated yes, number of poles 4, color grey, height 20.3 mm, mounting method screwable, inflammability class of insulation material acc. with ul94 V0
0D.S05.3527.0	insert bridge IVB WTN 4-5 IN	insert bridge IVB WTN 4-5 IN modular spacing 6.1 mm, insulated yes, number of poles 5, color grey, height 20.3 mm, mounting method screwable, inflammability class of insulation material acc. with ul94 V0
0D.S05.4027.0	insert bridge IVB WTN 4-10 IN	insert bridge IVB WTN 4-10 IN modular spacing 6.1 mm, insulated yes, number of poles 10, color grey, height 20.3 mm, mounting method screwable, inflammability class of insulation material acc. with ul94 V0

A
 © Alle Rechte vorbehalten
 © All rights reserved
 Vertraulichkeitsklasse
 Confidentiality Class: Vertraulich
 Confidential

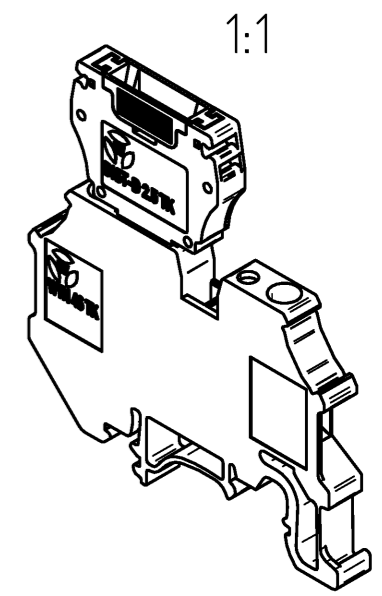
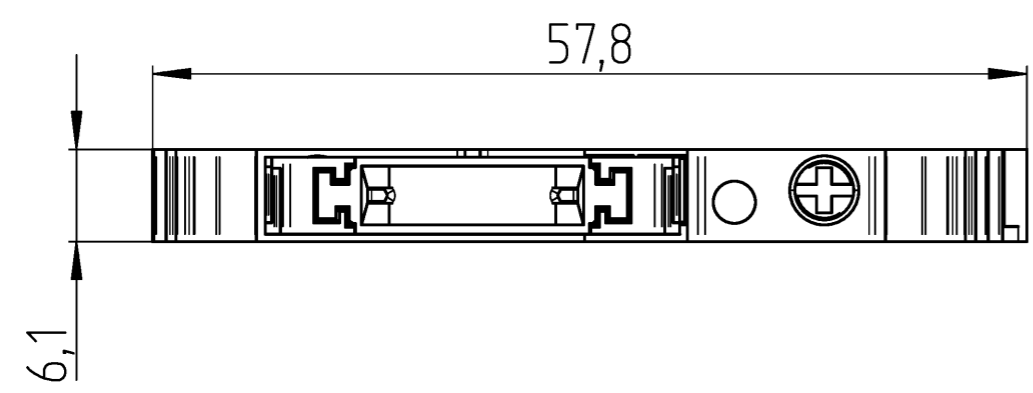
B
 These dimensions will be especially checked at delivery
 Only inspection dimensions
 With /E marked dimensions are only valid for internal use

C
 Diese Maße werden bei Abnahme besonders geprüft
 Ausschließlich Prüfmaße
 Mit /E gekennzeichnete Maße sind nur für interne Zwecke gültig

F



Hutschiene EN 60715-35x7,5
 /mounting rail EN 60715-35x7,5
 Hutschiene EN 60715-35x15
 /mounting rail EN 60715-35x15



Weitere Daten siehe KATALOG oder eKatalog
 additional data see CATALOG or eCATALOG
www.wieland-electric.com
eshop.wieland-electric.com

Tolerierung Size ISO 14405 © / Tolerance system Size ISO 14405 ©. (This ISO-standard describes the envelope principle. According to the envelope principle the deviations of form and parallelism are limited by the size tolerances).		ja/yes <input checked="" type="checkbox"/> Stoffverbots- und Deklarationsliste nach WN 5020.010 ist einzuhalten. Conformity with Wieland document WN 5020.010 e (list of prohibited / declarable hazardous substances) to be declared!	
Freitoleranz nach General tolerance		CAD - Zeichnung, keine manuellen Änderungen CAD - drawing, no manual modifications allowed	
1. Verwendung: First Use:		Blatt: 1 von 1 Sheet: 1 of 1	
Werkstoff / Material		Tag/Date	Name
Maßstab / Scale		18.09.2025	Sachs (extern)
2:1		Elektronische Freigabe Electronic Release	
Vol. mm ³ / OfL./Srf. mm ²		Ersatz für / Replacement for:	
Index Datum / Blatt Date / Sheet		Type Benennung/Title	
Änderung / Revision		VERBINDER TRENNKLEMME connector disc. terminal	
Bestell-Nr. /order no.		5D.SB4.4055.0 13K	
Typ /type		WTN 4 S TKG	
Farbe /colour		grau / grey	