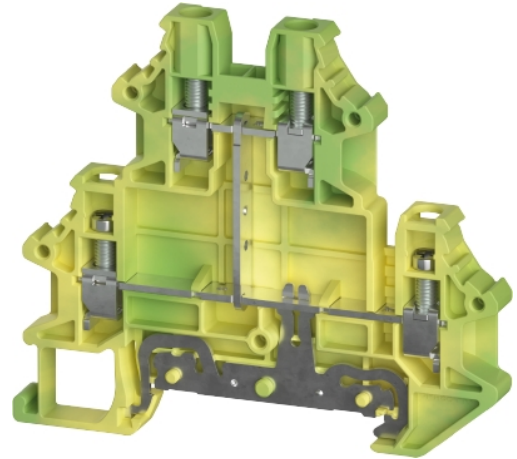


Data sheet

Commercial Art.No.: 5D.S04.9655.0

earth terminal WTN 4 E PE

earth terminal WTN 4 E PE rated voltage 800 V, screw connection, number of levels 2, number of clamp positions per level 3, nominal cross section 4 mm², connectable conductor cross section fine stranded without cable end sleeve 0,34mm² - 4mm², mounting method DIN rail (top hat rail), color green/yellow, width/grid dimension 6.1 mm, inflammability class of insulation material acc. with ul94 V0, terminal blocks for electrical installations yes



Commercial Art.No.	5D.S04.9655.0
EAN	4049088725234
Order Unit	100

certificates / approvals



Technical data

general

nominal cross section	4 mm ²
color	green/yellow
number of levels	2
number of clamp positions per level	3
width/grid dimension	6.1 mm
insulating housing	PA
inflammability class of insulation material acc. with UL94	V0
mounting method	DIN rail (top hat rail)
terminal blocks for electrical installations	yes
Anschlussart	screw connection
Anzahl der Klemmstellen je Etage	3
Montageart	DIN rail (top hat rail)
Brennbarkeitsklasse des Isolierstoffs	V0
Reihenklennen für Installationsverteiler	yes

technical data

rated voltage	800 V
rated impulse voltage	8 kV
pollution degree	3
closing plate required	yes
type of insulation material	thermoplastic
length	71.5 mm
width	6.1 mm

height	63 mm
--------	-------

connection data

connection type	screw connection
connection type 1	screw connection
minimum cross section solid	0.34 mm ²
maximum cross section solid	6 mm ²
minimum cross section fine stranded	0.34 mm ²
maximum cross section fine stranded	4 mm ²
minimum conductor cross section (flex., stranded) with cable end sleeve	0.34 mm ²
maximum conductor cross section (flex., stranded) with cable end sleeve	2.5 mm ²
wire strip length	10 mm
torque conductor mounting	0.5 Nm

technical data UL/CSA

cross section UL	22-10 AWG
voltage UL	600 V
cross section CSA	22-10 AWG
voltage CSA	600 V

classification

ETIM 9.0	EC000901
----------	----------

product compliance

ROHS conformity status	compliant
REACH-SVHC conformity status	compliant

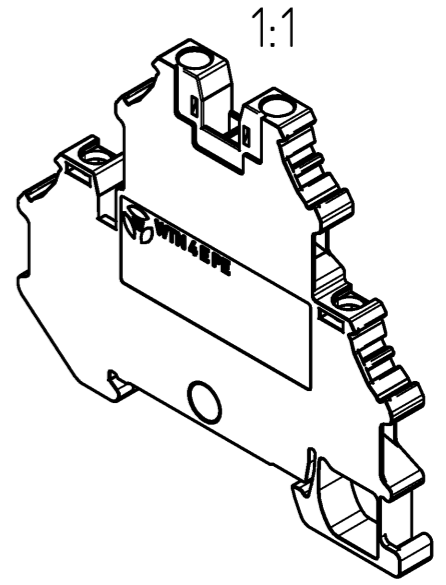
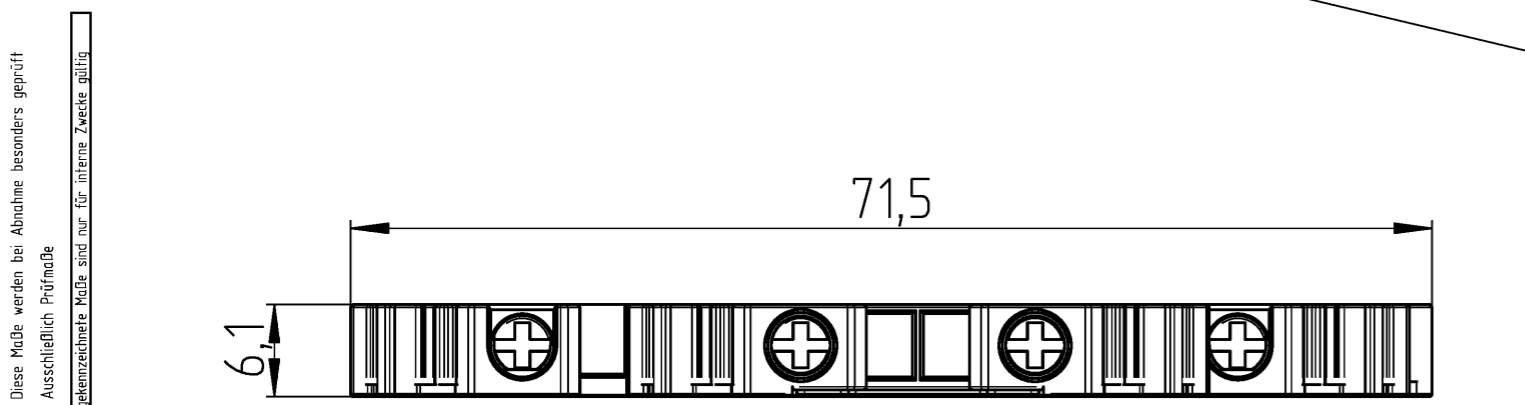
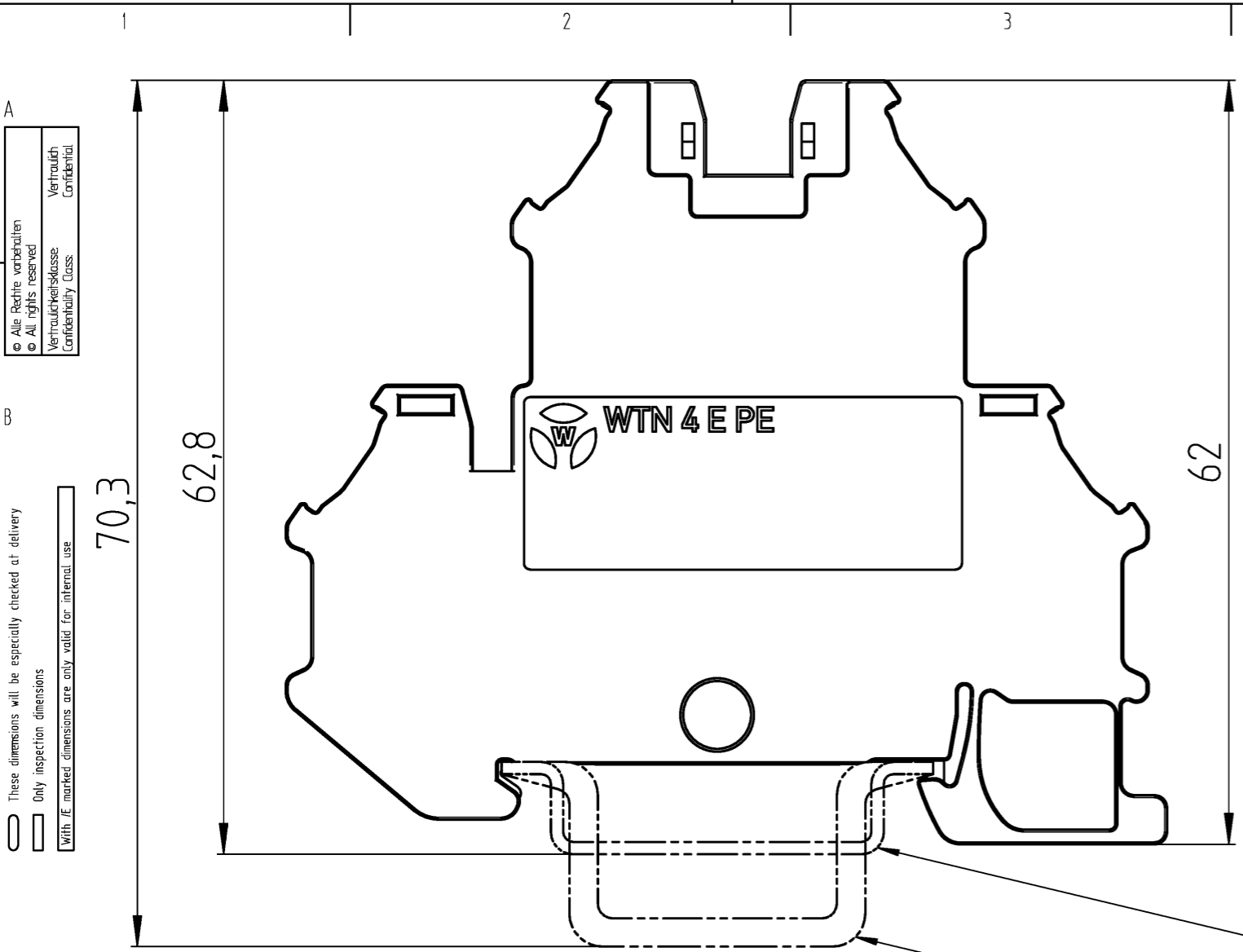
Accessories

Commercial Art.No.:	Article-type description:	Description:
0D.S03.2355.0	end plate APWTN 2.5/4 E	end plate inflammability class of insulation material acc. with ul94 V0, type of end plate yes, thickness 1.2 mm, length 70 mm, color grey
0D.S04.1055.9	partition TW 001 WTN	partition inflammability class of insulation material acc. with ul94 V0, type of end plate no, thickness 0.8 mm, length 15.8 mm, color grey
0D.202.7281.0	marking strips WML 9.8/60	marking strips WML 9.8/60 material plastic, color white, length 230 mm, height 15.1 mm, inflammability class of insulation material acc. with ul94 V0
0D.204.7056.0	marking plate WMP 6.10-10	marking plate WMP 6.10-10 modular spacing 6.1 mm, material plastic, color white, length 128 mm, height 76 mm, inflammability class of insulation material acc. with ul94 V0

Fits with

Commercial Art.No.:	Article-type description:	Description:
---------------------	---------------------------	--------------

5D.S04.9055.0	earth terminal WTN 4 PE	earth terminal WTN 4 PE rated voltage 1000 V, screw connection, number of levels 1, number of clamp positions per level 2, nominal cross section 4 mm ² , connectable conductor cross section fine stranded without cable end sleeve 0,14mm ² - 4mm ² , mounting method DIN rail (top hat rail), color green/yellow, width/grid dimension 6.1 mm, inflammability class of insulation material acc. with ul94 V0, terminal blocks for electrical installations yes
5D.S04.9155.0	earth terminal WTN 4 D1/2 PE	earth terminal WTN 4 D1/2 PE rated voltage 800 V, screw connection, number of levels 1, number of clamp positions per level 2, nominal cross section 4 mm ² , connectable conductor cross section fine stranded without cable end sleeve 0,14mm ² - 4mm ² , mounting method DIN rail (top hat rail), color green/yellow, width/grid dimension 6.1 mm, inflammability class of insulation material acc. with ul94 V0
5D.S04.9255.0	earth terminal WTN 4 D2/2 PE	earth terminal WTN 4 D2/2 PE rated voltage 800 V, screw connection, number of levels 1, number of clamp positions per level 2, nominal cross section 4 mm ² , connectable conductor cross section fine stranded without cable end sleeve 0,14mm ² - 4mm ² , mounting method DIN rail (top hat rail), color green/yellow, width/grid dimension 6.1 mm, inflammability class of insulation material acc. with ul94 V0
5D.S04.9655.0	earth terminal WTN 4 E PE	earth terminal WTN 4 E PE rated voltage 800 V, screw connection, number of levels 2, number of clamp positions per level 3, nominal cross section 4 mm ² , connectable conductor cross section fine stranded without cable end sleeve 0,34mm ² - 4mm ² , mounting method DIN rail (top hat rail), color green/yellow, width/grid dimension 6.1 mm, inflammability class of insulation material acc. with ul94 V0, terminal blocks for electrical installations yes
5D.S04.9755.0	earth terminal WTN 4 EL PE	earth terminal WTN 4 EL PE rated voltage 800 V, rated current 32 A, screw connection, number of levels 2, number of clamp positions per level 3, nominal cross section 4 mm ² , connectable conductor cross section fine stranded without cable end sleeve 0,34mm ² - 4mm ² , mounting method DIN rail (top hat rail), color grey/green/yellow, width/grid dimension 6.1 mm, inflammability class of insulation material acc. with ul94 V0, terminal blocks for electrical installations yes



Hutschiene EN 60715-35x7,5
/mounting rail EN 60715-35x7,5

Hutschiene EN 60715-35x15
/mounting rail EN 60715-35x15

Weitere Daten siehe KATALOG oder eKatalog
additional data see CATALOG or eCATALOG www.wieland-electric.com
eshop.wieland-electric.com

Tolerierung Size ISO 14405 © / Tolerance system Size ISO 14405 ©. (This ISO-standard describes the envelope principle. According to the envelope principle the deviations of form and parallelism are limited by the size tolerances).		ja/yes <input checked="" type="checkbox"/> Stoffverbots- und Deklarationsliste nach WN 5020.010 ist einzuhalten. Conformity with Wieland document WN 5020.010 e (list of prohibited / declarable hazardous substances) to be declared!	
Freitoleranz nach General tolerance		CAD - Zeichnung, keine manuellen Änderungen CAD - drawing, no manual modifications allowed	
1. Verwendung: First Use:		Blatt: 1 von 1 Sheet: 1 of 1	
Werkstoff / Material		Tag/Date Name	
Maßstab / Scale		gezeichnet drawn 12.09.2025 Eichhorn N.	
2:1		Elektronische Freigabe Electronic Release	
Vol. mm ³ / Of./Srf. mm ²		Ersatz für / Replacement for:	
Index Datum / Blatt Date / Sheet		Type Benennung/Title	
Änderung / Revision		SCHUTZLEITERKLEMME earth terminal	
Bestell-Nr. /order no.		Typ /type	
5D.S04.9655.0		WTN 4 E PE	
Farbe /colour		grün-gelb/ green-yellow	

Alle Rechte vorbehalten
All rights reserved
Vertraulichkeitsklasse
Confidentiality Class: Vertraulich
Confidential

These dimensions will be especially checked at delivery
Only inspection dimensions
With /E marked dimensions are only valid for internal use

Diese Maße werden bei Abnahme besonders geprüft
Ausschließlich Prüfmaße
Mit /E gekennzeichnete Maße sind nur für interne Zwecke gültig