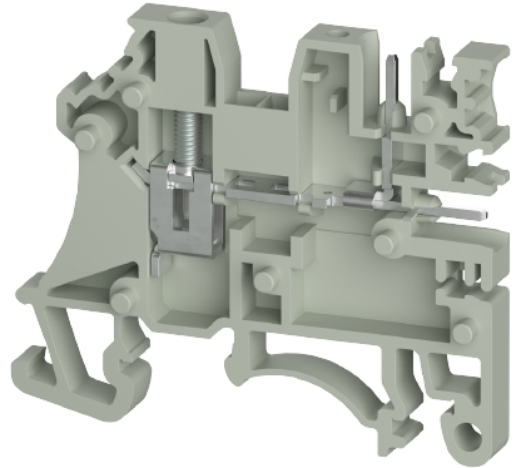


Data sheet

Commercial Art.No.: 5D.S02.8255.0

feed-through terminal WTN 1.5 SN P

feed-through terminal WTN 1.5 SN P rated voltage 250 V, rated current 24 A, screw connection, number of levels 1, number of clamp positions per level 2, nominal cross section 1.5 mm², connectable conductor cross section fine stranded without cable end sleeve 0,5mm² - 1,5mm², mounting method DIN rail (top hat rail), color grey, width/grid dimension 5.1 mm, inflammability class of insulation material acc. with ul94 V0



Commercial Art.No.	5D.S02.8255.0
EAN	4049088724299
Order Unit	50

Technical data

general

nominal cross section	1.5 mm ²
color	grey
number of levels	1
number of clamp positions per level	2
width/grid dimension	5.1 mm
insulating housing	PA
inflammability class of insulation material acc. with UL94	V0
mounting method	DIN rail (top hat rail)
Anschlussart	screw connection
Anzahl der Klemmstellen je Etage	2
Montageart	DIN rail (top hat rail)
Brennbarkeitsklasse des Isolierstoffs	V0

technical data

rated current	24 A
rated voltage	250 V
rated impulse voltage	4 kV
pollution degree	3
closing plate required	yes
type of insulation material	thermoplastic
length	50.6 mm
width	5.1 mm
height	43.5 mm

connection data

connection type	screw connection
-----------------	------------------

connection type 1	screw connection
minimum cross section solid	0.5 mm ²
maximum cross section solid	2.5 mm ²
minimum cross section fine stranded	0.5 mm ²
maximum cross section fine stranded	1.5 mm ²
wire strip length	8 mm
torque conductor mounting	0.6 Nm

technical data UL/CSA

cross section UL	22-12 AWG
voltage UL	300 V
current factory wiring	20 A
current field wiring	20 A
cross section CSA	22-12 AWG
voltage CSA	300 V
current CSA	20 A

classification

ETIM 9.0	EC000897
----------	----------

product compliance

REACH-SVHC conformity status	compliant
------------------------------	-----------

Accessories

Commercial Art.No.:	Article-type description:	Description:
0D.S03.3227.5	jumper bar IVB WTN 2,5-2	jumper bar IVB WTN 2,5-2 modular spacing 5.1 mm, insulated yes, number of poles 2, color red, height 20.3 mm, mounting method pluggable, inflammability class of insulation material acc. with ul94 V0
0D.S03.3327.5	jumper bar IVB WTN 2,5-3	jumper bar IVB WTN 2,5-3 modular spacing 5.1 mm, insulated yes, number of poles 3, color red, height 20.3 mm, mounting method pluggable, inflammability class of insulation material acc. with ul94 V0
0D.S03.3427.5	jumper bar IVB WTN 2,5-4	jumper bar IVB WTN 2,5-4 modular spacing 5.1 mm, insulated yes, number of poles 4, color red, height 20.3 mm, mounting method pluggable, inflammability class of insulation material acc. with ul94 V0
0D.S03.3527.5	jumper bar IVB WTN 2,5-5	jumper bar IVB WTN 2,5-5 modular spacing 5.1 mm, insulated yes, number of poles 5, color red, height 20.3 mm, mounting method pluggable, inflammability class of insulation material acc. with ul94 V0
0D.S03.4027.5	jumper bar IVB WTN 2,5-10	jumper bar IVB WTN 2,5-10 modular spacing 5.1 mm, insulated yes, number of poles 10, color red, height 20.3 mm, mounting method pluggable, inflammability class of insulation material acc. with ul94 V0
0D.S03.5027.5	jumper bar IVB WTN 2,5-20	jumper bar IVB WTN 2,5-20 modular spacing 5.1 mm, insulated yes, number of poles 20, color red, height 20.3 mm, mounting method pluggable, inflammability class of insulation material acc. with ul94 V0
0D.S02.6555.0	cover ADWRTN 1.5 SN P	cover ADWRTN 1.5 SN P length 12.5 mm, height 8 mm, material plastic, color grey, inflammability class of insulation material acc. with ul94 V0

0D.S92.0255.1	plug-in terminal WTN 1.5 PG02 PID	plug-in terminal WTN 1.5 PG02 PID rated voltage 630 V, rated current 18 A, push-In connection//true, number of levels 1, number of clamp positions per level 2, nominal cross section 1.5 mm ² , connectable conductor cross section fine stranded without cable end sleeve 0,2mm ² - 2,5mm ² , mounting method DIN rail (top hat rail), color black, width/grid dimension 23.7 mm, inflammability class of insulation material acc. with ul94 V0, terminal blocks for electrical installations yes
0D.S92.0355.1	plug-in terminal WTN 1.5 PG03 PID	plug-in terminal WTN 1.5 PG03 PID rated voltage 630 V, rated current 18 A, push-In connection//true, number of levels 1, number of clamp positions per level 2, nominal cross section 1.5 mm ² , connectable conductor cross section fine stranded without cable end sleeve 0,2mm ² - 2,5mm ² , mounting method DIN rail (top hat rail), color black, width/grid dimension 23.7 mm, inflammability class of insulation material acc. with ul94 V0, terminal blocks for electrical installations yes
0D.S92.0455.1	plug-in terminal WTN 1.5 PG04 PID	plug-in terminal WTN 1.5 PG04 PID rated voltage 630 V, rated current 18 A, push-In connection//true, number of levels 1, number of clamp positions per level 2, nominal cross section 1.5 mm ² , connectable conductor cross section fine stranded without cable end sleeve 0,2mm ² - 2,5mm ² , mounting method DIN rail (top hat rail), color black, width/grid dimension 23.7 mm, inflammability class of insulation material acc. with ul94 V0, terminal blocks for electrical installations yes
0D.S92.0855.1	plug-in terminal WTN 1.5 PG08 PID	plug-in terminal WTN 1.5 PG08 PID rated voltage 630 V, rated current 18 A, push-In connection//true, number of levels 1, number of clamp positions per level 2, nominal cross section 1.5 mm ² , connectable conductor cross section fine stranded without cable end sleeve 0,2mm ² - 2,5mm ² , mounting method DIN rail (top hat rail), color black, width/grid dimension 23.7 mm, inflammability class of insulation material acc. with ul94 V0, terminal blocks for electrical installations yes
0D.S92.1055.1	plug-in terminal WTN 1.5 PG10 PID	plug-in terminal WTN 1.5 PG10 PID rated voltage 630 V, rated current 18 A, push-In connection//true, number of levels 1, number of clamp positions per level 2, nominal cross section 1.5 mm ² , connectable conductor cross section fine stranded without cable end sleeve 0,2mm ² - 2,5mm ² , mounting method DIN rail (top hat rail), color black, width/grid dimension 23.7 mm, inflammability class of insulation material acc. with ul94 V0
0D.S92.2255.7	plug-in terminal WTN 1.5 PG02	plug-in terminal WTN 1.5 PG02 rated voltage 630 V, rated current 18 A, screw connection, number of levels 1, number of clamp positions per level 2, nominal cross section 1.5 mm ² , connectable conductor cross section fine stranded without cable end sleeve 0,2mm ² - 2,5mm ² , mounting method DIN rail (top hat rail), color green, width/grid dimension 18 mm, inflammability class of insulation material acc. with ul94 V0, terminal blocks for electrical installations yes
0D.S92.2355.7	plug-in terminal WTN 1.5 PG03	plug-in terminal WTN 1.5 PG03 rated voltage 630 V, rated current 18 A, screw connection, number of levels 1, number of clamp positions per level 2, nominal cross section 1.5 mm ² , connectable conductor cross section fine stranded without cable end sleeve 0,2mm ² - 2,5mm ² , mounting method DIN rail (top hat rail), color green, width/grid dimension 18 mm, inflammability class of insulation material acc. with ul94 V0, terminal blocks for electrical installations yes

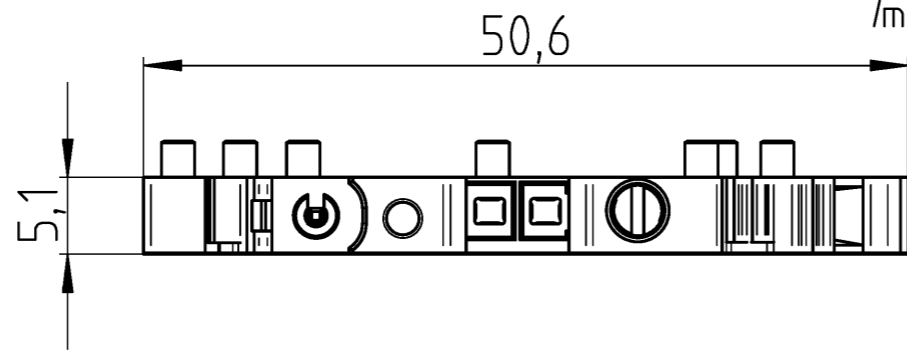
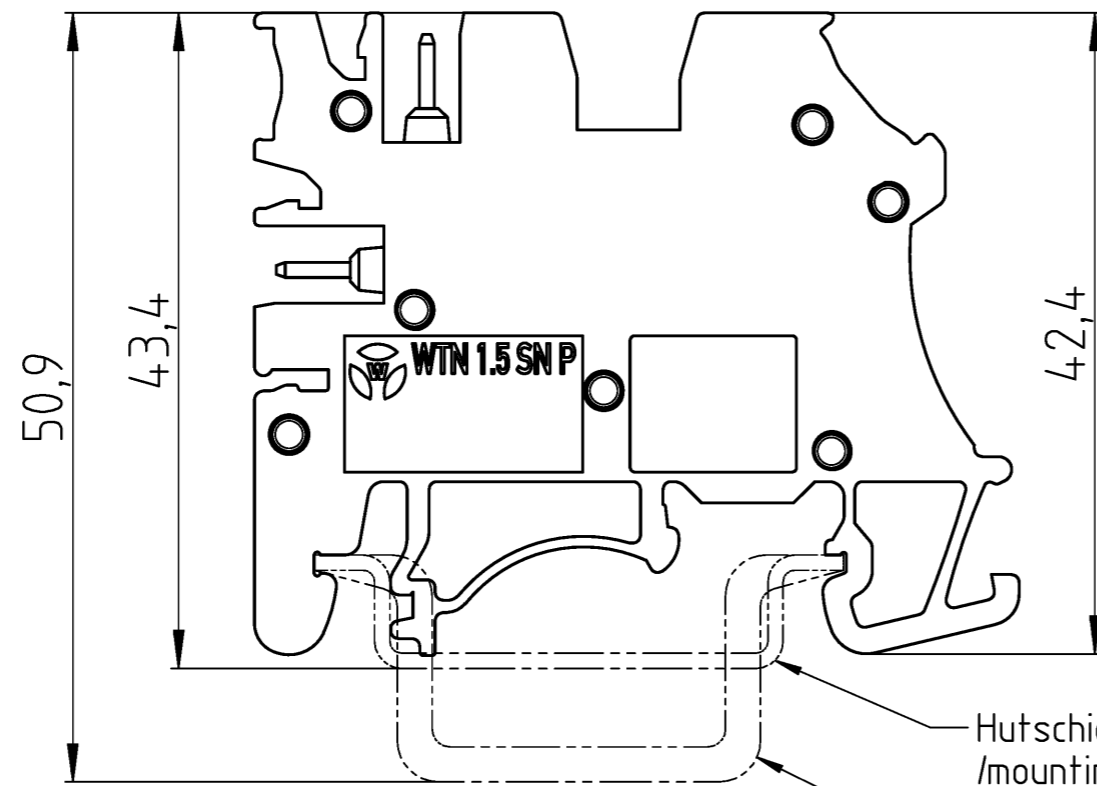
0D.S92.2455.7	plug-in terminal WTN 1.5 PG04	plug-in terminal WTN 1.5 PG04 rated voltage 630 V, rated current 18 A, screw connection, number of levels 1, number of clamp positions per level 3, nominal cross section 1.5 mm ² , connectable conductor cross section fine stranded without cable end sleeve 0,2mm ² - 2,5mm ² , mounting method DIN rail (top hat rail), color green, width/grid dimension 18 mm, inflammability class of insulation material acc. with ul94 V0, terminal blocks for electrical installations yes
0D.S92.2855.7	plug-in terminal WTN 1.5 PG08	plug-in terminal WTN 1.5 PG08 rated voltage 630 V, rated current 18 A, screw connection, number of levels 1, number of clamp positions per level 3, nominal cross section 1.5 mm ² , connectable conductor cross section fine stranded without cable end sleeve 0,2mm ² - 2,5mm ² , mounting method DIN rail (top hat rail), color green, width/grid dimension 18 mm, inflammability class of insulation material acc. with ul94 V0, terminal blocks for electrical installations yes
0D.S92.3055.7	plug-in terminal WTN 1.5 PG10	plug-in terminal WTN 1.5 PG10 rated voltage 630 V, rated current 18 A, screw connection, number of levels 1, number of clamp positions per level 4, nominal cross section 1.5 mm ² , connectable conductor cross section fine stranded without cable end sleeve 0,2mm ² - 2,5mm ² , mounting method DIN rail (top hat rail), color green, width/grid dimension 18 mm, inflammability class of insulation material acc. with ul94 V0, terminal blocks for electrical installations yes
0D.S02.2655.0	end plate APWTN 1.5 SN A	end plate inflammability class of insulation material acc. with ul94 V0, type of end plate yes, thickness 2.5 mm, length 47.7 mm, color grey
0D.S02.2755.0	end plate APWTN 1.5 SN B	end plate inflammability class of insulation material acc. with ul94 V0, type of end plate yes, thickness 2.5 mm, length 47.7 mm, color grey
0D.S02.2955.0	end plate APWTN 1.5 B	end plate inflammability class of insulation material acc. with ul94 V0, type of end plate yes, length 50.6 mm, color grey
0D.202.7281.0	marking strips WML 9.8/60	marking strips WML 9.8/60 material plastic, color white, length 230 mm, height 15.1 mm, inflammability class of insulation material acc. with ul94 V0
0D.202.7381.0	marking strips WML 7.4/60	marking strips WML 7.4/60 material plastic, color white, length 230 mm, height 11.4 mm, inflammability class of insulation material acc. with ul94 V0
0D.203.7056.0	marking plate WMP 5,10-10	marking plate WMP 5,10-10 modular spacing 5.1 mm, material plastic, color white, length 128 mm, height 76 mm, inflammability class of insulation material acc. with ul94 V0
0D.203.7156.0	marking plate WMP 5,10-5,8	marking plate WMP 5,10-5,8 modular spacing 5.1 mm, material plastic, color white, length 128 mm, height 76 mm, inflammability class of insulation material acc. with ul94 V0
0D.S02.2855.0	end plate APWTN 1.5 A	end plate inflammability class of insulation material acc. with ul94 V0, length 50.6 mm

A
 © Alle Rechte vorbehalten
 © All rights reserved
 Vertraulichkeitsklasse
 Confidentiality Class: Vertraulich
 Confidential

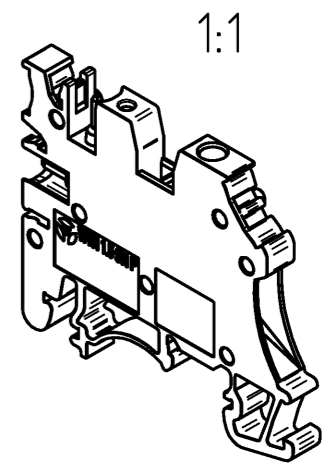
B
 These dimensions will be especially checked at delivery
 Only inspection dimensions
 With /E marked dimensions are only valid for internal use

C
 Diese Maße werden bei Abnahme besonders geprüft
 Ausschließlich Prüfmaße
 Mit /E gekennzeichnete Maße sind nur für interne Zwecke gültig

F



Hutschiene EN 60715-35x7,5
 /mounting rail EN 60715-35x7,5
 Hutschiene EN 60715-35x15
 /mounting rail EN 60715-35x15



Weitere Daten siehe KATALOG oder eKatalog
 additional data see CATALOG or eCATALOG
www.wieland-electric.com
eshop.wieland-electric.com

Tolerierung Size ISO 14405 © / Tolerance system Size ISO 14405 ©. (This ISO-standard describes the envelope principle. According to the envelope principle the deviations of form and parallelism are limited by the size tolerances).		ja/yes <input checked="" type="checkbox"/> Stoffverbots- und Deklarationsliste nach WN 5020.010 ist einzuhalten. Conformity with Wieland document WN 5020.010 e (list of prohibited / declarable hazardous substances) to be declared!	
Freitoleranz nach General tolerance		CAD - Zeichnung, keine manuellen Änderungen CAD - drawing, no manual modifications allowed	1. Verwendung: First Use:
Blatt: Sheet:	1 von of	1	1
/	/	Werkstoff / Material	Tag/Date
/	/	Maßstab / Scale	Name
/	/	2:1	gezeichnet drawn
/	/	Vol. mm ³ / fl./Srf. mm ²	28.08.2025
/	/	Ersatz für / Replacement for:	Eichhorn N.
/	/	Type	Benennung/Title
/	/	Index	Datum / Blatt Date / Sheet
/	/	Änderung / Revision	Index
/	/	Bestell-Nr. /order no.	5D.S02.8255.0
/	/	Typ /type	WTN 1.5 SN P
/	/	Farbe /colour	grau / grey
/	/	Index	Datum / Blatt Date / Sheet
/	/	Änderung / Revision	Index
/	/	Bestell-Nr. /order no.	5D.S02.8255.0
/	/	Typ /type	WTN 1.5 SN P
/	/	Farbe /colour	grau / grey
/	/	Index	Datum / Blatt Date / Sheet
/	/	Änderung / Revision	Index
/	/	Bestell-Nr. /order no.	5D.S02.8255.0
/	/	Typ /type	WTN 1.5 SN P
/	/	Farbe /colour	grau / grey
/	/	Index	Datum / Blatt Date / Sheet
/	/	Änderung / Revision	Index
/	/	Bestell-Nr. /order no.	5D.S02.8255.0
/	/	Typ /type	WTN 1.5 SN P
/	/	Farbe /colour	grau / grey
/	/	Index	Datum / Blatt Date / Sheet
/	/	Änderung / Revision	Index
/	/	Bestell-Nr. /order no.	5D.S02.8255.0
/	/	Typ /type	WTN 1.5 SN P
/	/	Farbe /colour	grau / grey
/	/	Index	Datum / Blatt Date / Sheet
/	/	Änderung / Revision	Index
/	/	Bestell-Nr. /order no.	5D.S02.8255.0
/	/	Typ /type	WTN 1.5 SN P
/	/	Farbe /colour	grau / grey
/	/	Index	Datum / Blatt Date / Sheet
/	/	Änderung / Revision	Index
/	/	Bestell-Nr. /order no.	5D.S02.8255.0
/	/	Typ /type	WTN 1.5 SN P
/	/	Farbe /colour	grau / grey
/	/	Index	Datum / Blatt Date / Sheet
/	/	Änderung / Revision	Index
/	/	Bestell-Nr. /order no.	5D.S02.8255.0
/	/	Typ /type	WTN 1.5 SN P
/	/	Farbe /colour	grau / grey
/	/	Index	Datum / Blatt Date / Sheet
/	/	Änderung / Revision	Index
/	/	Bestell-Nr. /order no.	5D.S02.8255.0
/	/	Typ /type	WTN 1.5 SN P
/	/	Farbe /colour	grau / grey
/	/	Index	Datum / Blatt Date / Sheet
/	/	Änderung / Revision	Index
/	/	Bestell-Nr. /order no.	5D.S02.8255.0
/	/	Typ /type	WTN 1.5 SN P
/	/	Farbe /colour	grau / grey
/	/	Index	Datum / Blatt Date / Sheet
/	/	Änderung / Revision	Index
/	/	Bestell-Nr. /order no.	5D.S02.8255.0
/	/	Typ /type	WTN 1.5 SN P
/	/	Farbe /colour	grau / grey
/	/	Index	Datum / Blatt Date / Sheet
/	/	Änderung / Revision	Index
/	/	Bestell-Nr. /order no.	5D.S02.8255.0
/	/	Typ /type	WTN 1.5 SN P
/	/	Farbe /colour	grau / grey
/	/	Index	Datum / Blatt Date / Sheet
/	/	Änderung / Revision	Index
/	/	Bestell-Nr. /order no.	5D.S02.8255.0
/	/	Typ /type	WTN 1.5 SN P
/	/	Farbe /colour	grau / grey
/	/	Index	Datum / Blatt Date / Sheet
/	/	Änderung / Revision	Index
/	/	Bestell-Nr. /order no.	5D.S02.8255.0
/	/	Typ /type	WTN 1.5 SN P
/	/	Farbe /colour	grau / grey
/	/	Index	Datum / Blatt Date / Sheet
/	/	Änderung / Revision	Index
/	/	Bestell-Nr. /order no.	5D.S02.8255.0
/	/	Typ /type	WTN 1.5 SN P
/	/	Farbe /colour	grau / grey
/	/	Index	Datum / Blatt Date / Sheet
/	/	Änderung / Revision	Index
/	/	Bestell-Nr. /order no.	5D.S02.8255.0
/	/	Typ /type	WTN 1.5 SN P
/	/	Farbe /colour	grau / grey
/	/	Index	Datum / Blatt Date / Sheet
/	/	Änderung / Revision	Index
/	/	Bestell-Nr. /order no.	5D.S02.8255.0
/	/	Typ /type	WTN 1.5 SN P
/	/	Farbe /colour	grau / grey
/	/	Index	Datum / Blatt Date / Sheet
/	/	Änderung / Revision	Index
/	/	Bestell-Nr. /order no.	5D.S02.8255.0
/	/	Typ /type	WTN 1.5 SN P
/	/	Farbe /colour	grau / grey
/	/	Index	Datum / Blatt Date / Sheet
/	/	Änderung / Revision	Index
/	/	Bestell-Nr. /order no.	5D.S02.8255.0
/	/	Typ /type	WTN 1.5 SN P
/	/	Farbe /colour	grau / grey
/	/	Index	Datum / Blatt Date / Sheet
/	/	Änderung / Revision	Index
/	/	Bestell-Nr. /order no.	5D.S02.8255.0
/	/	Typ /type	WTN 1.5 SN P
/	/	Farbe /colour	grau / grey
/	/	Index	Datum / Blatt Date / Sheet
/	/	Änderung / Revision	Index
/	/	Bestell-Nr. /order no.	5D.S02.8255.0
/	/	Typ /type	WTN 1.5 SN P
/	/	Farbe /colour	grau / grey
/	/	Index	Datum / Blatt Date / Sheet
/	/	Änderung / Revision	Index
/	/	Bestell-Nr. /order no.	5D.S02.8255.0
/	/	Typ /type	WTN 1.5 SN P
/	/	Farbe /colour	grau / grey
/	/	Index	Datum / Blatt Date / Sheet
/	/	Änderung / Revision	Index
/	/	Bestell-Nr. /order no.	5D.S02.8255.0
/	/	Typ /type	WTN 1.5 SN P
/	/	Farbe /colour	grau / grey
/	/	Index	Datum / Blatt Date / Sheet
/	/	Änderung / Revision	Index
/	/	Bestell-Nr. /order no.	5D.S02.8255.0
/	/	Typ /type	WTN 1.5 SN P
/	/	Farbe /colour	grau / grey
/	/	Index	Datum / Blatt Date / Sheet
/	/	Änderung / Revision	Index
/	/	Bestell-Nr. /order no.	5D.S02.8255.0
/	/	Typ /type	WTN 1.5 SN P
/	/	Farbe /colour	grau / grey
/	/	Index	Datum / Blatt Date / Sheet
/	/	Änderung / Revision	Index
/	/	Bestell-Nr. /order no.	5D.S02.8255.0
/	/	Typ /type	WTN 1.5 SN P
/	/	Farbe /colour	grau / grey
/	/	Index	Datum / Blatt Date / Sheet
/	/	Änderung / Revision	Index
/	/	Bestell-Nr. /order no.	5D.S02.8255.0
/	/	Typ /type	WTN 1.5 SN P
/	/	Farbe /colour	grau / grey
/	/	Index	Datum / Blatt Date / Sheet
/	/	Änderung / Revision	Index
/	/	Bestell-Nr. /order no.	5D.S02.8255.0
/	/	Typ /type	WTN 1.5 SN P
/	/	Farbe /colour	grau / grey
/	/	Index	Datum / Blatt Date / Sheet
/	/	Änderung / Revision	Index
/	/	Bestell-Nr. /order no.	5D.S02.8255.0
/	/	Typ /type	WTN 1.5 SN P
/	/	Farbe /colour	grau / grey
/	/	Index	Datum / Blatt Date / Sheet
/	/	Änderung / Revision	Index
/	/	Bestell-Nr. /order no.	5D.S02.8255.0
/	/	Typ /type	WTN 1.5 SN P
/	/	Farbe /colour	grau / grey
/	/	Index	Datum / Blatt Date / Sheet
/	/	Änderung / Revision	Index
/	/	Bestell-Nr. /order no.	5D.S02.8255.0
/	/	Typ /type	WTN 1.5 SN P
/	/	Farbe /colour	grau / grey
/	/	Index	Datum / Blatt Date / Sheet
/	/	Änderung / Revision	Index
/	/	Bestell-Nr. /order no.	5D.S02.8255.0
/	/	Typ /type	WTN 1.5 SN P
/	/	Farbe /colour	grau / grey
/	/	Index	Datum / Blatt Date / Sheet
/	/	Änderung / Revision	Index
/	/	Bestell-Nr. /order no.	5D.S02.8255.0
/	/	Typ /type	WTN 1.5 SN P
/	/	Farbe /colour	grau / grey
/	/	Index	Datum / Blatt Date / Sheet
/	/	Änderung / Revision	Index
/	/	Bestell-Nr. /order no.	5D.S02.8255.0
/	/	Typ /type	WTN 1.5 SN P
/	/	Farbe /colour	grau / grey
/	/	Index	Datum / Blatt Date / Sheet
/	/	Änderung / Revision	Index
/	/	Bestell-Nr. /order no.	5D.S02.8255.0
/	/	Typ /type	WTN 1.5 SN P
/	/	Farbe /colour	grau / grey
/	/	Index	Datum / Blatt Date / Sheet
/	/	Änderung / Revision	Index
/	/	Bestell-Nr. /order no.	5D.S02.8255.0
/	/	Typ /type	WTN 1.5 SN P
/	/	Farbe /colour	grau / grey
/	/	Index	Datum / Blatt Date / Sheet
/	/	Änderung / Revision	Index
/	/	Bestell-Nr. /order no.	5D.S02.8255.0
/	/	Typ /type	WTN 1.5 SN P
/	/	Farbe /colour	grau / grey
/	/	Index	Datum / Blatt Date / Sheet
/	/	Änderung / Revision	Index
/	/	Bestell-Nr. /order no.	5D.S02.8255.0
/	/	Typ /type	WTN 1.5 SN P
/	/	Farbe /colour	grau / grey
/	/	Index	Datum / Blatt Date / Sheet
/	/	Änderung / Revision	Index
/	/	Bestell-Nr. /order no.	5D.S02.8255.0
/	/	Typ /type	WTN 1.5 SN P