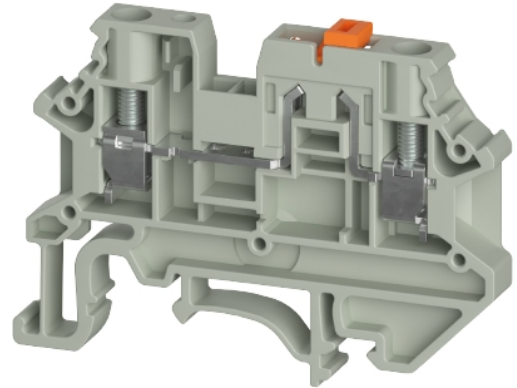


## Data sheet

Commercial Art.No.: 5D.SB4.2055.0

knife disconnect terminal WTN 4 S TKM

knife disconnect terminal WTN 4 S TKM rated voltage 800 V, rated current 32 A, screw connection, number of levels 1, number of clamp positions per level 3, nominal cross section 4 mm<sup>2</sup>, connectable conductor cross section fine stranded without cable end sleeve 0,34mm<sup>2</sup> - 4mm<sup>2</sup>, mounting method DIN rail (top hat rail), color grey, width/grid dimension 6.1 mm, inflammability class of insulation material acc. with ul94 V0



Commercial Art.No.	5D.SB4.2055.0
EAN	4049088725883
Order Unit	100

certificates / approvals



## Technical data

### general

nominal cross section	4 mm <sup>2</sup>
color	grey
number of levels	1
number of clamp positions per level	3
width/grid dimension	6.1 mm
insulating housing	PA
inflammability class of insulation material acc. with UL94	V0
mounting method	DIN rail (top hat rail)
Anschlussart	screw connection
Anzahl der Klemmstellen je Etage	3
Montageart	DIN rail (top hat rail)
Brennbarkeitsklasse des Isolierstoffs	V0

### technical data

rated current	32 A
rated voltage	800 V
rated impulse voltage	8 kV
pollution degree	3
closing plate required	yes
type of insulation material	thermoplastic
length	57.8 mm
width	6.1 mm
height	43.5 mm

### connection data

connection type	screw connection
-----------------	------------------

connection type 1	screw connection
connection type 2	screw connection
minimum cross section solid	0.34 mm <sup>2</sup>
maximum cross section solid	4 mm <sup>2</sup>
minimum cross section fine stranded	0.34 mm <sup>2</sup>
maximum cross section fine stranded	4 mm <sup>2</sup>
minimum conductor cross section (flex., stranded) with cable end sleeve	0.5 mm <sup>2</sup>
maximum conductor cross section (flex., stranded) with cable end sleeve	2.5 mm <sup>2</sup>
wire strip length	10 mm
torque conductor mounting	0.5 Nm

#### technical data UL/CSA

cross section UL	22-10 AWG
voltage UL	600 V
current factory wiring	30 A
current field wiring	30 A
cross section CSA	22-10 AWG
voltage CSA	600 V
current CSA	30 A

#### classification

ETIM 9.0	EC000902
----------	----------

#### product compliance

REACH-SVHC conformity status	compliant
------------------------------	-----------

## Accessories

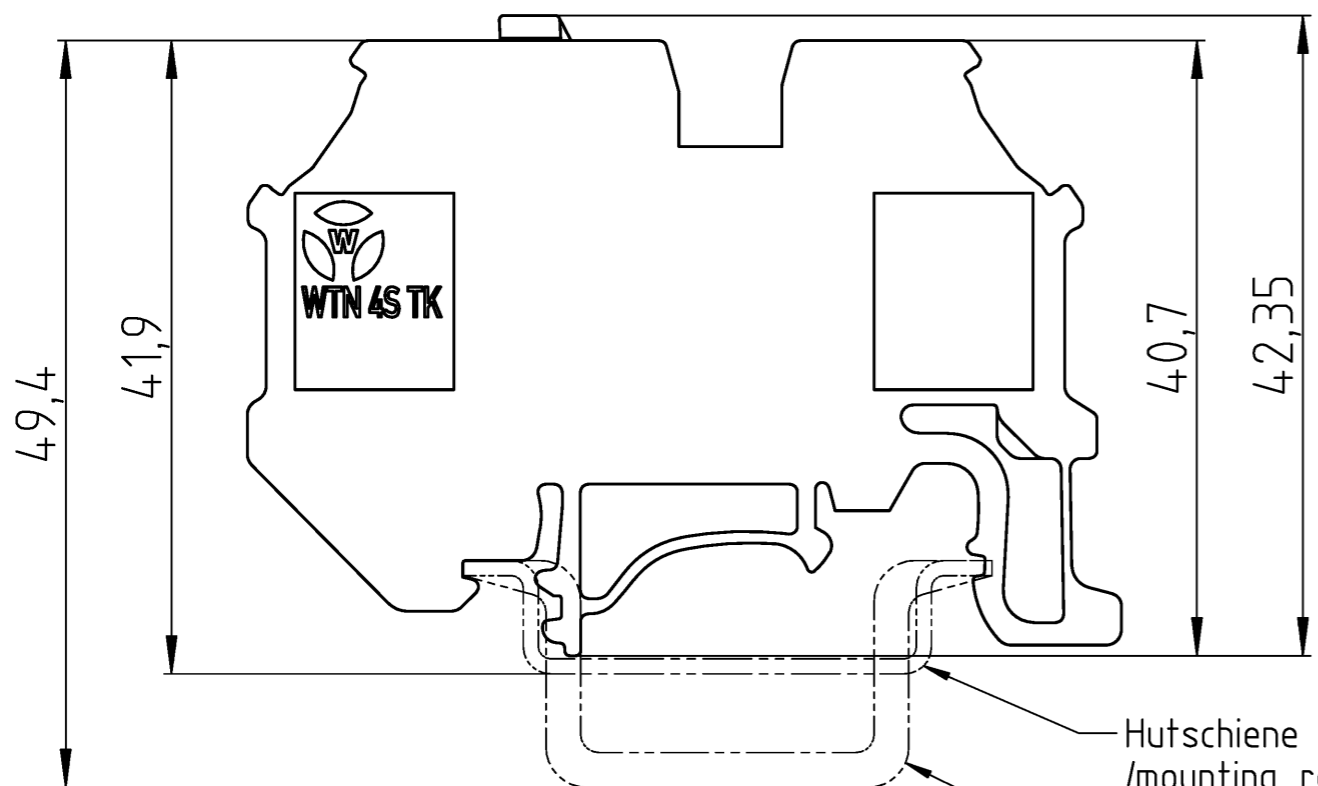
Commercial Art.No.:	Article-type description:	Description:
0D.S04.3227.5	jumper bar IVB WTN 4-2	jumper bar IVB WTN 4-2 modular spacing 6.1 mm, insulated yes, number of poles 2, color red, height 19.7 mm, mounting method pluggable, inflammability class of insulation material acc. with ul94 V0
0D.S04.3327.5	jumper bar IVB WTN 4-3	jumper bar IVB WTN 4-3 modular spacing 6.1 mm, insulated yes, number of poles 3, color red, height 19.7 mm, mounting method pluggable, inflammability class of insulation material acc. with ul94 V0
0D.S04.3427.5	jumper bar IVB WTN 4-4	jumper bar IVB WTN 4-4 modular spacing 6.1 mm, insulated yes, number of poles 4, color red, height 19.7 mm, mounting method pluggable, inflammability class of insulation material acc. with ul94 V0
0D.S04.3527.5	jumper bar IVB WTN 4-5	jumper bar IVB WTN 4-5 modular spacing 6.1 mm, insulated yes, number of poles 5, color red, height 19.7 mm, mounting method pluggable, inflammability class of insulation material acc. with ul94 V0
0D.S04.4027.5	jumper bar IVB WTN 4-10	jumper bar IVB WTN 4-10 modular spacing 6.1 mm, insulated yes, number of poles 10, color red, height 19.7 mm, mounting method pluggable, inflammability class of insulation material acc. with ul94 V0
0D.202.7281.0	marking strips WML 9.8/60	marking strips WML 9.8/60 material plastic, color white, length 230 mm, height 15.1 mm, inflammability class of insulation material acc. with ul94 V0
0D.204.7056.0	marking plate WMP 6.10-10	marking plate WMP 6.10-10 modular spacing 6.1 mm, material plastic, color white, length 128 mm, height 76 mm, inflammability class of insulation material acc. with ul94 V0

0D.S05.3227.0	insert bridge IVB WTN 4-2 IN	insert bridge IVB WTN 4-2 IN modular spacing 6.1 mm, insulated yes, number of poles 2, color grey, height 20.3 mm, mounting method screwable, inflammability class of insulation material acc. with ul94 V0
0D.S05.3327.0	insert bridge IVB WTN 4-3 IN	insert bridge IVB WTN 4-3 IN modular spacing 6.1 mm, insulated yes, number of poles 3, color grey, height 20.3 mm, mounting method screwable, inflammability class of insulation material acc. with ul94 V0
0D.S05.3427.0	insert bridge IVB WTN 4-4 IN	insert bridge IVB WTN 4-4 IN modular spacing 6.1 mm, insulated yes, number of poles 4, color grey, height 20.3 mm, mounting method screwable, inflammability class of insulation material acc. with ul94 V0
0D.S05.3527.0	insert bridge IVB WTN 4-5 IN	insert bridge IVB WTN 4-5 IN modular spacing 6.1 mm, insulated yes, number of poles 5, color grey, height 20.3 mm, mounting method screwable, inflammability class of insulation material acc. with ul94 V0
0D.S05.4027.0	insert bridge IVB WTN 4-10 IN	insert bridge IVB WTN 4-10 IN modular spacing 6.1 mm, insulated yes, number of poles 10, color grey, height 20.3 mm, mounting method screwable, inflammability class of insulation material acc. with ul94 V0

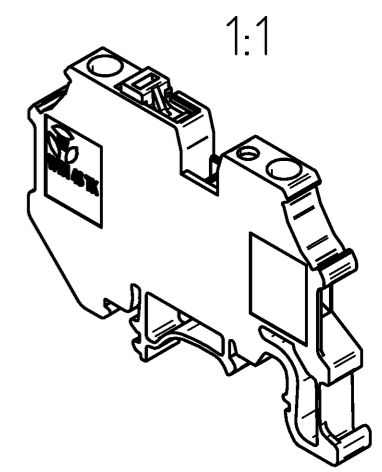
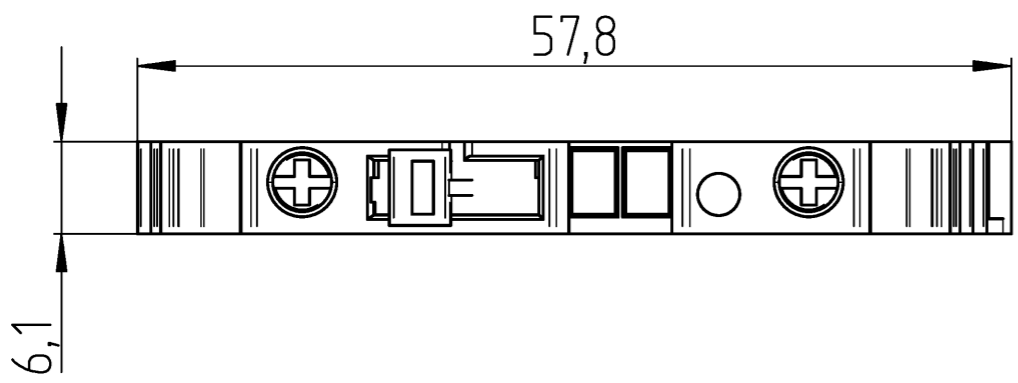
A  
 © Alle Rechte vorbehalten  
 © All rights reserved  
 Vertraulichkeitsklasse  
 Confidentiality Class: Vertraulich  
 Confidential

B  
 These dimensions will be especially checked at delivery  
 Only inspection dimensions  
 With /E marked dimensions are only valid for internal use

C  
 Diese Maße werden bei Abnahme besonders geprüft  
 Ausschließlich Prüfmaße  
 Mit /E gekennzeichnete Maße sind nur für interne Zwecke gültig



Hutschiene EN 60715-35x7,5  
 /mounting rail EN 60715-35x7,5  
 Hutschiene EN 60715-35x15  
 /mounting rail EN 60715-35x15



Weitere Daten siehe KATALOG oder eKatalog  
 additional data see CATALOG or eCATALOG  
[www.wieland-electric.com](http://www.wieland-electric.com)  
[eshop.wieland-electric.com](http://eshop.wieland-electric.com)

Tolerierung Size ISO 14405 © / Tolerance system Size ISO 14405 ©. (This ISO-standard describes the envelope principle. According to the envelope principle the deviations of form and parallelism are limited by the size tolerances).		ja/yes <input checked="" type="checkbox"/> Stoffverbots- und Deklarationsliste nach WN 5020.010 ist einzuhalten. Conformity with Wieland document WN 5020.010 e (list of prohibited / declarable hazardous substances) to be declared!	
Freitoleranz nach General tolerance		CAD - Zeichnung, keine manuellen Änderungen CAD - drawing, no manual modifications allowed	
1. Verwendung: First Use:		Blatt: 1 von 1 Sheet: 1 of 1	
Werkstoff / Material		Tag/Date	Name
Maßstab / Scale		gezeichnet drawn	Sachs (extern)
2:1		Elektronische Freigabe Electronic Release	
Vol. mm <sup>3</sup> / OfL./Srf. mm <sup>2</sup>		Ersatz für / Replacement for:	
Index		Benennung/Title	
Datum / Blatt Date / Sheet		MESSERTRENNKLEMME knife disconnect terminal	
Änderung / Revision			

Bestell-Nr. /order no.	Typ /type	Farbe /colour
5D.SB4.2055.0	WTN 4 S TKM	grau / grey

