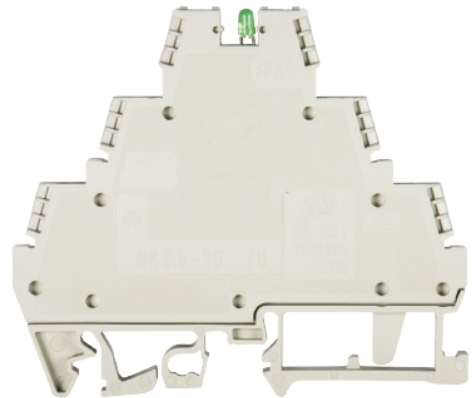


## Data sheet

Commercial Art.No.: 57.503.9055.0

initiator terminal WK 2,5-3 D/U-PGN /V0

Initiator terminal with Screw connection for mounting on TS 35 / TS 32, nominal cross section: 2.5 mm<sup>2</sup>, width: 6 mm, color: grey



Commercial Art.No.	57.503.9055.0
EAN	4015573507821
Order Unit	200

certificates / approvals



## Technical data

### general

nominal cross section	2.5 mm <sup>2</sup>
color	grey
number of levels	3
number of clamp positions per level	2
width/grid dimension	6 mm
insulating housing	PA666
flammability class of insulation material acc. with UL94	V0
mounting method	DIN rail (top hat rail)/G-rail
terminal blocks for electrical installations	no
Anzahl der Klemmstellen je Etage	2
Montageart	DIN rail (top hat rail)/G-rail
Brennbarkeitsklasse des Isolierstoffs	V0
Reihenklennen für Installationsverteiler	no

### technical data

rated current	24 A
rated voltage	24 V
rated impulse voltage	6 kV
pollution degree	3
closing plate required	no
type of insulation material	thermoplastic
length	79.4 mm

### connection data

connection type 1	screw connection
connection type 2	screw connection
minimum cross section solid	0.5 mm <sup>2</sup>
maximum cross section solid	4 mm <sup>2</sup>
minimum cross section fine stranded	0.5 mm <sup>2</sup>
maximum cross section fine stranded	2.5 mm <sup>2</sup>
wire strip length	7 mm
torque conductor mounting	0.4 Nm

#### technical data UL/CSA

cross section UL	22-12 AWG
voltage UL	24 V
current factory wiring	25 A
current field wiring	20 A
cross section CSA	22-12 AWG
voltage CSA	24 V
current CSA	25 A

#### additional data

display	green
power supply function	no

#### classification

ECLASS 11	
ECLASS 8.1	27141128
ETIM 9.0	EC000900
ETIM 8.0	EC000900
ETIM 7.0	EC000900
ETIM 6.0	EC000900
ETIM 5.0	EC000900
ETIM 4.0	EC000900
ETIM 3.0	EC000900

#### product compliance

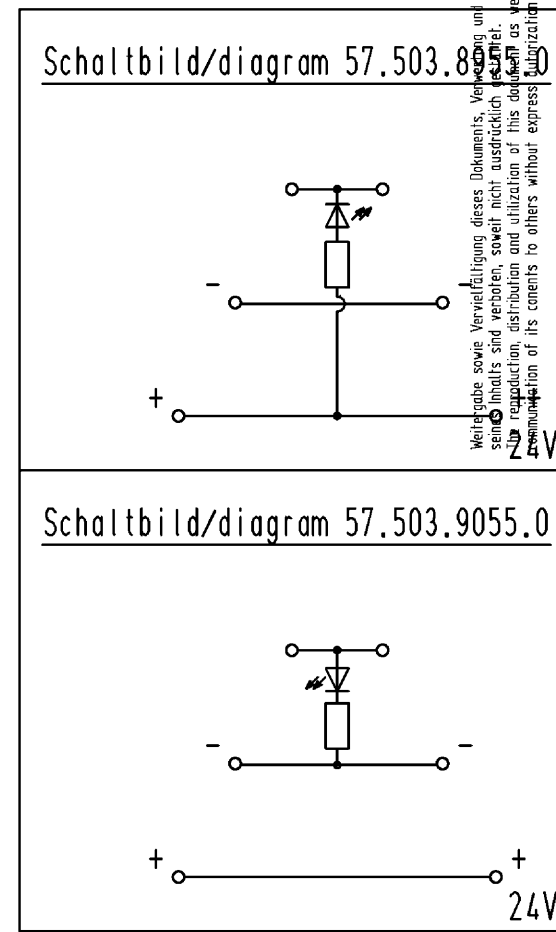
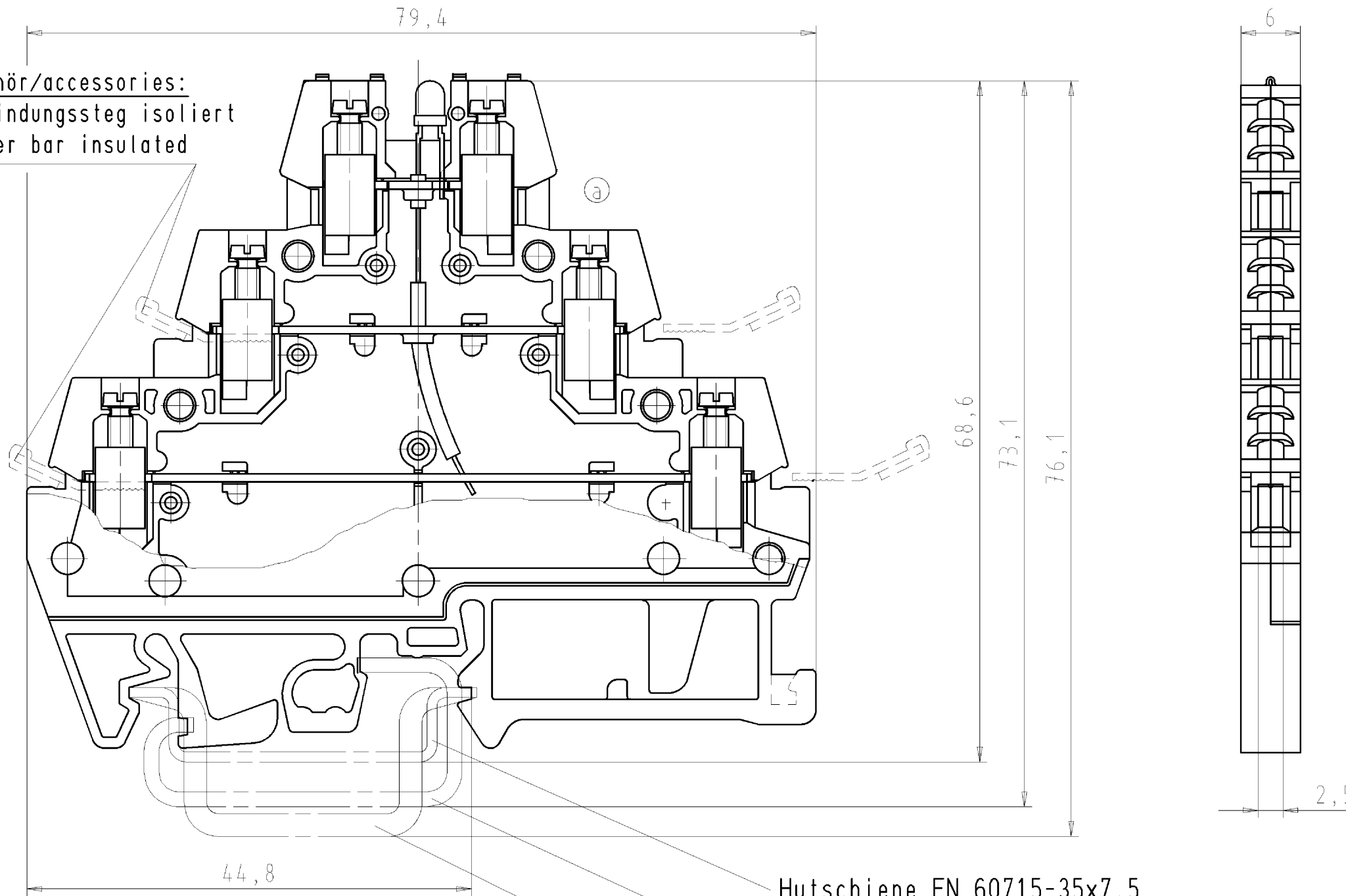
ROHS conformity status	compliant/exempted
ROHS exceptions	III-6(c)
REACH-SVHC conformity status	Duty-To-Declare
REACH-SVHC substances	Lead
REACH-SVHC CAS numbers	7439-92-1

## Accessories

Commercial Art.No.:	Article-type description:	Description:
Z7.267.0227.5	jumper bar IVB WK 2,5-K- 2 ROT	Jumper comp, insulated for DIN rail terminal blocks type WK ..., 2 - pole
Z7.267.0227.6	jumper bar IVB WK 2,5-K- 2 BLAU	Jumper comp, insulated for DIN rail terminal blocks type WK ..., 2 - pole
Z7.267.0327.5	jumper bar IVB WK 2,5-K- 3 ROT	Jumper comp, insulated for DIN rail terminal blocks type WK ..., 3 - pole

Z7.267.0327.6	jumper bar IVB WK 2,5-K- 3 BLAU	Jumper comp, insulated for DIN rail terminal blocks type WK ..., 3 -pole
Z7.267.0527.5	jumper bar IVB WK 2,5-K- 5 ROT	Jumper comp, insulated for DIN rail terminal blocks type WK ..., 5 -pole
Z7.267.0527.6	jumper bar IVB WK 2,5-K- 5 BLAU	Jumper comp, insulated for DIN rail terminal blocks type WK ..., 5 -pole
Z7.267.0627.5	jumper bar IVB WK 2,5-K 6 ROT	Jumper comp, insulated for DIN rail terminal blocks type WK ..., 6 -pole
Z7.267.0627.6	jumper bar IVB WK 2,5-K 6 BLAU	Jumper comp, insulated for DIN rail terminal blocks type WK ..., 6 -pole
Z7.267.0827.5	jumper bar IVB WK 2,5-K- 8 ROT	Jumper comp, insulated for DIN rail terminal blocks type WK ..., 8 -pole
Z7.267.0827.6	jumper bar IVB WK 2,5-K- 8 BLAU	Jumper comp, insulated for DIN rail terminal blocks type WK ..., 8 -pole
Z7.267.0927.5	jumper bar IVB WK 2,5-K 9 ROT	Jumper comp, insulated for DIN rail terminal blocks type WK ..., 9 -pole
Z7.267.1027.5	jumper bar IVB WK 2,5-K- 10 ROT	Jumper comp, insulated for DIN rail terminal blocks type WK ..., 10 -pole
Z7.267.1027.6	jumper bar IVB WK 2,5-K- 10 BLAU	Jumper comp, insulated for DIN rail terminal blocks type WK ..., 10 -pole
Z7.267.1227.5	jumper bar IVB WK 2,5-K- 12 ROT	Jumper comp, insulated for DIN rail terminal blocks type WK ..., 12 -pole
Z7.267.1227.6	jumper bar IVB WK 2,5-K- 12 BLAU	Jumper comp, insulated for DIN rail terminal blocks type WK ..., 12 -pole
07.312.1255.0	partition TW 2,5-3 D/U /V0	Partition for DIN rail terminal blocks type WK 2,5-3 D/U..., color: grey
98.300.1000.0	mounting rail TS 35x7,5 PERF 15mm - l:2000mm	Mounting rail TS 35, slotted, size 7,5 mm, length 2 m, material steel. galv. zinc-plated and passivated
98.300.0000.0	mounting rail TS 35x7,5 UNPERF - l:2000mm	Mounting rail TS 35, unslotted, size 7,5 mm, length 2 m, material steel. galv. zinc-plated and passivated
98.300.1800.0	mounting rail TS 35x7,5 PERF 18mm - l:2000mm	Mounting rail TS 35, slotted, size 7,5 mm, length 2 m, material steel. galv. zinc-plated and passivated
98.300.1900.0	mounting rail TS 35x7,5 PERF 25mm - l:2000mm	Mounting rail TS 35, slotted, size 7,5 mm, length 2 m, material steel. galv. zinc-plated and passivated
98.360.0000.0	mounting rail TS 35x15-2,3 UNPERF - l:2000mm	Mounting rail TS 35, unslotted, size 15 mm, length 2 m, material steel. galv. zinc-plated and passivated
98.370.0000.0	mounting rail TS 35x15 UNPERF - l:2000mm	Mounting rail TS 35, unslotted, size 15 mm, length 2 m, material steel. galv. zinc-plated and dichromated
98.370.1000.0	mounting rail TS 35x15 PERF 15mm - l:2000mm	Mounting rail TS 35, slotted, size 15 mm, length 2 m, material steel. galv. zinc-plated and passivated
98.380.0000.0	mounting rail TS 35x15-2,3 UNPERF CU - l:2000mm	Mounting rail TS 35, unslotted, size 15 mm, length 2 m, material E copper

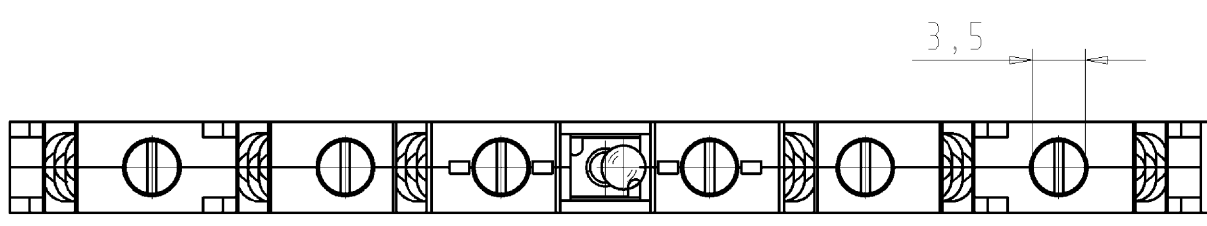
Zubehör/accessories:  
Verbindungssteg isoliert  
jumper bar insulated



Hutschiene EN 60715-35x7,5  
mounting rail EN 60715-35x7,5  
G-Schiene EN 60715-G 32  
g-rail EN 60715-G 32  
Hutschiene EN 60715-35x15  
mounting rail EN 60715-35x15

Weitere Daten siehe Katalog  
further data see catalog

Teile-Nr./part-nr.	Typ/type	Version/version
57.503.8955.0	WK 2,5-3D/U-N GN/VO	mit LED/with LED
57.503.9055.0	WK 2,5-3D/U-PGN/VO	mit LED/with LED



Tolerierung nach DIN 7167/Tolerance system acc. to DIN 7167. (This DIN-standard describes the envelope principle. According to the envelope principle the deviations of form and parallelism are limited by the size tolerances).		ja/yes <input checked="" type="checkbox"/> Stoffverbots- und Deklarationsliste nach UU-TOM-05/03 ist einzuhalten. Conformity with Wieland document UU-TOM-05/03 (list of prohibited / declarable hazardous substances) to be declared!	
Freitoleranz nach General tolerance		CAD - Zeichnung, keine manuellen Änderungen CAD - drawing, no manual modifications allowed	1. Verwendung: - First Use:
Blatt: 1 von 1 Sheet: of 1		Zeichnung Nr./Drawing No. Index	
T 57.503.8955.0 01K a		Maße in mm/Dimensions are in mm	
Ersatz für/Replacement for: -		Type Benennung/Titel	
wieland Elektrische Verbindungen		DREILEITER DURCHGANGSKLEMME three-level terminal	
Änderung/Revision		a 17.01.2011/	
Index		Date / Blatt Date / Sheet	

These dimensions will be especially checked at delivery  
 Only inspection dimensions  
 With /E marked dimensions are only valid for internal use  
 Diese Maße werden bei Abnahme besonders geprüft  
 Ausschließlich Prüfmaße  
 Mit /E gekennzeichnete Maße sind nur für interne Zwecke gültig

Weitergabe sowie Vervielfältigung dieses Dokuments, Verweigerung und Mitteilung  
 seines Inhalts sind verboten, soweit nicht ausdrücklich gestattet.  
 Reproduktion, distribution and utilization of this document as well as the  
 communication of its contents to others without express authorization is prohibited.

57\_503\_8955\_0\_01K\_11-01-17\_08h38m58s\_2\_CADW2036\_treschan 2011-01-17 08:36:14 1.000