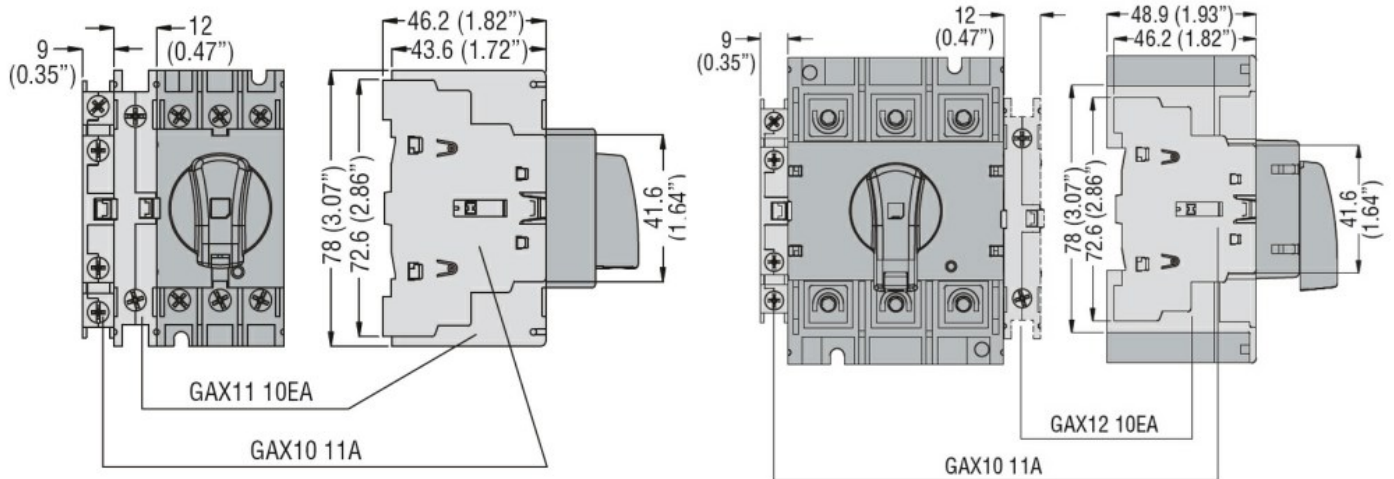




Dimensions



Wiring diagrams

GAX11... - GAX12...



Certifications and compliance

Compliance

CSA C22.2
IEC/EN 60947-1
IEC/EN 60947-3
IEC/EN 60947-5-1
UL508
UL98

Certifications

CCC
CSA C22.2 n°14
cULus according to UL508
EAC

ETIM classification

ETIM 8.0

EC000041 -
Auxiliary contact
block