



Power contactor  
BF195

Product designation

Product type designation

**Contact characteristics**

Number of poles	Nr.	4
Rated insulation voltage $U_i$ IEC/EN	V	1000
Rated impulse withstand voltage $U_{imp}$	kV	8
Operational frequency	min	Hz 25
	max	Hz 400
IEC Conventional free air thermal current $I_{th}$	A	275
Operational current $I_e$	AC-1 ( $\leq 40^\circ\text{C}$ )	A 275
	AC-1 ( $\leq 55^\circ\text{C}$ )	A 230
	AC-1 ( $\leq 70^\circ\text{C}$ )	A 200
	AC-3 ( $\leq 440\text{V} \leq 55^\circ\text{C}$ )	A 195
	AC-4 (400V)	A 95
Rated operational power AC-1 ( $T \leq 40^\circ\text{C}$ )	230V	kW 104
	400V	kW 181
	500V	kW 199
	690V	kW 312
IEC max current $I_e$ in DC1 with $L/R \leq 1\text{ms}$ with 1 poles in series	$\leq 24\text{V}$	A 275
	48V	A 275
	75V	A 275
	110V	A 120
	220V	A –
IEC max current $I_e$ in DC1 with $L/R \leq 1\text{ms}$ with 2 poles in series	$\leq 24\text{V}$	A 275
	48V	A 275
	75V	A 275
	110V	A 170
	220V	A 150
IEC max current $I_e$ in DC1 with $L/R \leq 1\text{ms}$ with 3 poles in series	$\leq 24\text{V}$	A 275
	48V	A 275
	75V	A 275
	110V	A 170
	220V	A 150
	330V	A 150
IEC max current $I_e$ in DC1 with $L/R \leq 1\text{ms}$ with 4 poles in series	$\leq 24\text{V}$	A 275
	48V	A 275
	75V	A 275
	110V	A 275

	220V	A	275
IEC max current I <sub>e</sub> in DC3-DC5 with L/R ≤ 15ms with 1 poles in series			
	≤24V	A	275
	48V	A	275
	75V	A	180
	110V	A	90
	220V	A	–
IEC max current I <sub>e</sub> in DC3-DC5 with L/R ≤ 15ms with 2 poles in series			
	≤24V	A	275
	48V	A	275
	75V	A	180
	110V	A	140
	220V	A	100
IEC max current I <sub>e</sub> in DC3-DC5 with L/R ≤ 15ms with 3 poles in series			
	≤24V	A	275
	48V	A	275
	75V	A	180
	110V	A	160
	220V	A	140
	330V	A	100
IEC max current I <sub>e</sub> in DC3-DC5 with L/R ≤ 15ms with 4 poles in series			
	≤24V	A	275
	48V	A	275
	75V	A	180
	110V	A	160
	220V	A	160
	330V	A	160
	460V	A	100
Short-time allowable current for 10s (IEC/EN60947-1)		A	1560
Protection fuse			
	gG (IEC)	A	315
	aM (IEC)	A	250
Making capacity (RMS value)		A	1658
Breaking capacity at voltage			
	440V	A	1658
	500V	A	1326
	690V	A	1377
Resistance per pole (average value)		mΩ	0.18
Power dissipation per pole (average value)			
	I <sub>th</sub>	W	13
	AC3	W	6.7
Tightening torque for terminals			
	min	Nm	18
	max	Nm	18
	min	lbin	159
	max	lbin	159
Tightening torque for coil terminal			
	min	Nm	0.8
	max	Nm	1
Power terminal protection according to IEC/EN 60529			IP00

### Mechanical features

Operating position

normal

Vertical plan

	allowable		±30°
Fixing			Screw
Weight		g	4000
<b>Operations</b>			
Mechanical life		cycles	10000000
Electrical life		cycles	1000000
<b>Safety related data</b>			
Performance level B10d according to EN/ISO 13489-1			
	rated load	cycles	1000000
EMC compatibility			yes
<b>AC coil operating</b>			
Rated AC voltage at 50/60Hz, 60Hz			
	min	V	100
	max	V	250
AC operating voltage			
	of 50/60Hz coil powered at 50Hz		
	pick-up		
	min	%Us	80 Us min
	max	%Us	110 Us max
	drop-out		
	max	%Us	≤70 Us min
	of 50/60Hz coil powered at 60Hz		
	pick-up		
	min	%Us	80 Us min
	max	%Us	110 Us max
	drop-out		
	max	%Us	≤70 Us min
AC average coil consumption at 20°C			
	of 50/60Hz coil powered at 50Hz		
	in-rush	VA	160...230
	holding	VA	1.5...3.0
	of 50/60Hz coil powered at 60Hz		
	in-rush	VA	160...230
	holding	VA	1.5...3.0
	of 60Hz coil powered at 60Hz		
	in-rush	VA	160...230
	holding	VA	1.5...3.0
Dissipation at holding ≤20°C 50Hz		W	1.5...3.0
<b>DC coil operating</b>			
DC rated control voltage			
	min	V	100
	max	V	250
DC operating voltage			
	pick-up		
	min	%Us	85 Us min
	max	%Us	110 Us max
	drop-out		
	max	%Us	≤70 Us min
Average coil consumption ≤20°C			
	in-rush	W	160...230
	holding	W	1.5...3.0
<b>Max cycles frequency</b>			
Mechanical operation		cycles/h	1000

### Operating times

Average time for Us control

in AC

Closing NO

min	ms	50
max	ms	100

Opening NO

min	ms	35
max	ms	75

### UL technical data

Yielded mechanical performance

for three-phase AC motor

200/208V	HP	60
220/230V	HP	75
460/480V	HP	150
575/600V	HP	150

General USE

Contactor

AC current	A	275
------------	---	-----

Short-circuit protection fuse, 600V

High fault

Short circuit current	kA	100
Fuse rating	A	400
Fuse class		J

Standard fault

Short circuit current	kA	10
Fuse rating	A	400
Fuse class		RK5

### Ambient conditions

Temperature

Operating temperature

min	°C	-40
max	°C	70

Storage temperature

min	°C	-50
max	°C	80

Max altitude

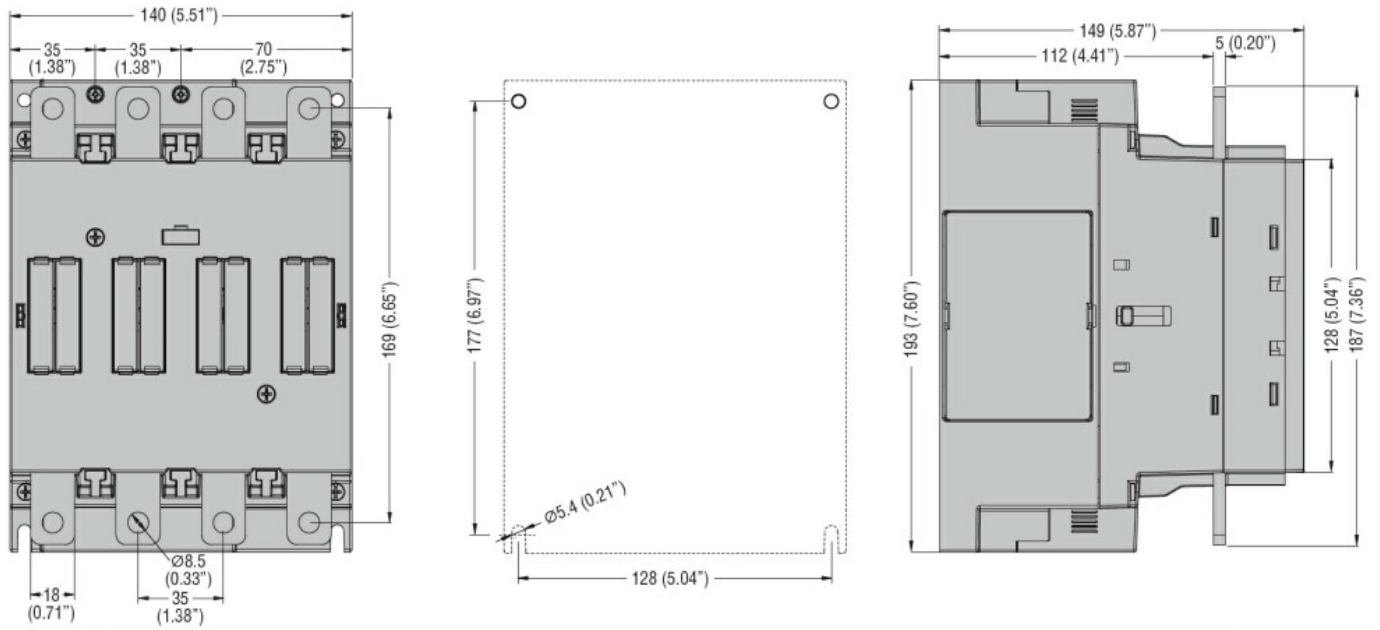
m	3000
---	------

### Resistance & Protection

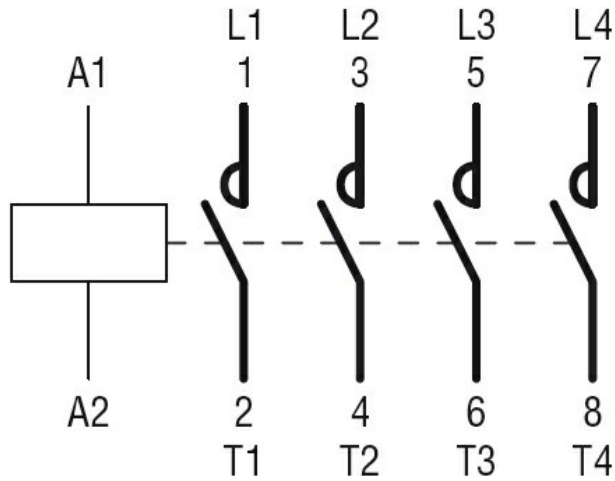
Pollution degree

3

### Dimensions



**Wiring diagrams**



**Certifications and compliance**

Certificates

cULus

**ETIM classification**

ETIM 8.0

EC000066 -  
Power contactor,  
AC switching