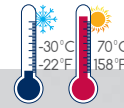




# DOUBLE INSULATION MODULAR BOX

## CA-32

Polyester enclosure with polycarbonate cover 270 x 180 x 170 mm



IEC-21305



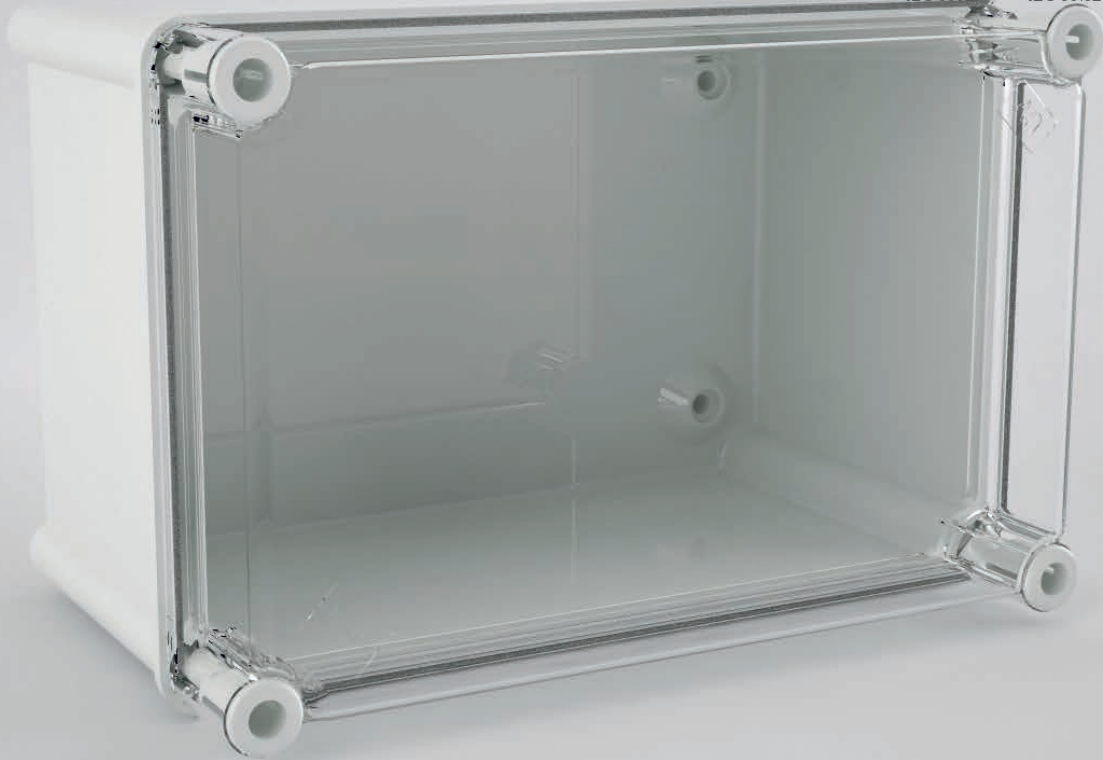
IEC 60529



IEC 50102



IEC-20672



### FEATURES

## SafyBox CA

- Boxes & Cabinets made from fiber glass reinforced polyester, moulded by hot compression.
- Colour Light Grey RAL 7035
- Self-extinguishability: 960° test withstanding. Halogen free. Double insulation. No electrical contact risks.
- Degree of protection Ip66 UNE 20324 (EN 60529).
- Certification of compliance with IEC62208 enclosure standard. Suitable for indoor or outdoor use.
- Version with plain or glazed door. Reversibility for installation right or left door opening.
- Customise service: colour, machining, mounting accessories, locks, company logo.
- Lock 16mm screw seasables and vandalism-proof.
- Version with transparent, opaque, transparent high and opaque high lids
- Polyester mounting plate back panel optional.
- Resistant to harsh atmospheres.
- Light weight gives an easy installation.
- +10 years. Long life lasting without maintenance under standard environmental conditions.

Code	Description	Height x Width x Depth	Weight
CA-32	Empty standard box colour light grey and transparent cover	270 x 180 x 170 mm	1,21 Kg





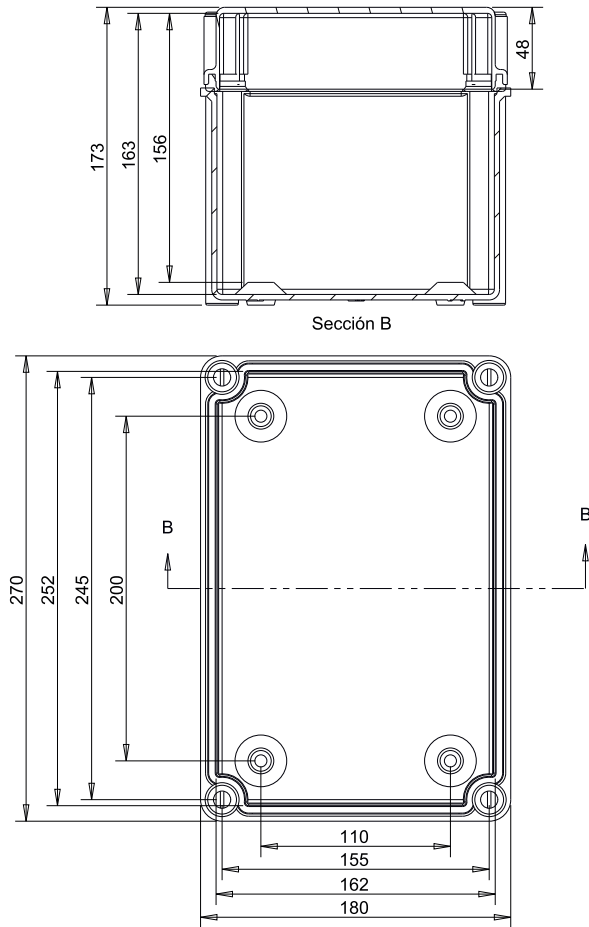
# DOUBLE INSULATION MODULAR BOX

## CA-32

Polyester enclosure with polycarbonate cover 270 x 180 x 170 mm



Standard  
IEC  
IEC-62208



### Packaging

packaging units	4	packaging height	550 mm	units per pallet 120x80 (h220)	
Screw cover number	4	packaging width	370 mm	units per pallet 110x110 (h220)	264
weight	1,21 Kg	packaging depth	180 mm		

### Environmental performance

Minimum temperature	-30 °C	IP dust water protection degree IEC-60529	66
Maximum temperature	70 °C	IK impact protection degree IEC-50298	10
Compression resistance	100 kg		

### Electrical performance

Nominal tension direct current up to:	1500 Vdc
Nominal tension alternative current up to:	1000 Vac
Maximum power dissipation DT=104°F (wall surface)	33 W

### Installation and assembly system

Inside installation	Yes	Wall surface	Yes
Outdoor installation	Yes	Floor mounting	No
Flush mounting	Yes	Pole mounting	Yes