

DESCRIPTION

PVC is a commercial grade of PVC sleeving. It has a wide range of insulation and identification applications in the auto and domestic industries. Available as earth sleeving from 2.0-16.0 mm diameter and in phase colours from 2.0-20.0mm diameter.

APPLICATION

It can be used as electrical insulation, physical protection and for decorative applications.

PROPERTIES

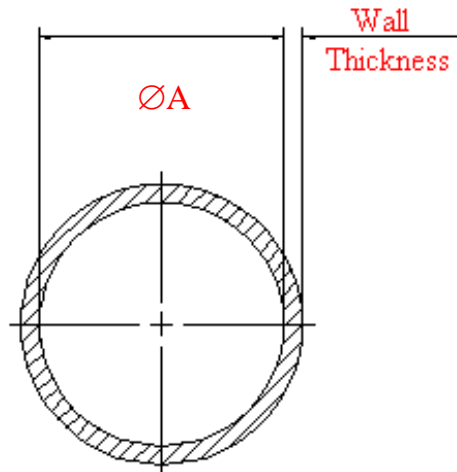
Properties	Typical Results	Test Method
Material	PVC	
Continuous Operating Temp	-30°C to +85°C	IEC 216
Intermittent Temp	+105°C	
Flammability	Self-extinguishing	
Tensile Strength	19MPa	
Elongation at break	270%	
Proof Voltage	5kV	BS2848
Insulation Resistance	3 x 10 ⁷ M Ohms	
Shelf Life (<40°C)	5 years	
Colours	Grey, Black. Blue, Brown & Green-Yellow	

STANDARDS

Approved to: N/A

Conforms to: BS2848 Type 3/85T

DIMENSIONS



<u>PVC</u> SIZE	ØA nom (mm)	Standard wall (mm)	Coil length (m)
10	1.0	0.4	100
15	1.5	0.4	100
20	2.0	0.4	100
30	3.0	0.4	100
40	4.0	0.4	100
50	5.0	0.4	100
60	6.0	0.4	100
70	7.0	0.65	100
75	7.5	0.65	100
80	8.0	0.65	100
90	9.0	0.65	100
100	10.0	0.65	100
120	12.0	0.85	100
150	15.0	0.85	50
160	16.0	0.85	50
200	20.0	0.85	50
250	25.0	0.85	25
300	30.0	0.85	25