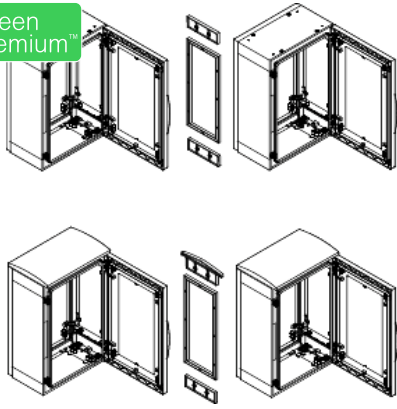


# Product datasheet

Specifications



## Horizontal coupling kit for PLA enclosure H750xD320 mm - 15 mm - IP55 coupling

NSYMUPLA73G

### Main

Range	Thalassa
Accessory / separate part category	Coupling accessory
Product or component type	Coupling frame
Anwendung	Multi-purpose
Mounting location	Side coupling of 2 enclosures
Mounting support	ZA plinth
Range compatibility	Thalassa PLA suitable enclosure
Device composition	1 frame fixing elements

### Complementary

Material	Frame: polyester
Height	750 mm nominal:
Width	15 mm frame:
Depth	320 mm
IP degree of protection	IP55
Colour	Grey (RAL 7035)

### Packing Units

Unit Type of Package 1	PCE
Number of Units in Package 1	1
Package 1 Weight	625 g
Package 1 Height	2.2 cm
Package 1 width	60.2 cm
Package 1 Length	24.1 cm

### Offer Sustainability

Sustainable offer status	Green Premium product
REACH Regulation	<a href="#">REACH Declaration</a>
EU RoHS Directive	Pro-active compliance (Product out of EU RoHS legal scope)

---

<b>Mercury free</b>	Yes
<b>RoHS exemption information</b>	<a href="#">Yes</a>
<b>China RoHS Regulation</b>	<a href="#">China RoHS declaration</a> Product out of China RoHS scope. Substance declaration for your information
<b>Environmental Disclosure</b>	<a href="#">Product Environmental Profile</a>

---

### **Contractual warranty**

---

<b>Warranty</b>	18 months
-----------------	-----------

---