

Data sheet

Art.No.: 96.032.4053.1

Connector RST20I3S S1 ZR1 V SW

RST 20i3 connector, 3 pole, male, screw connection, application 250V with PE, 20A, for cable diameters 6-10mm, coding color black, color of housing black



Art.No.	96.032.4053.1
EAN	4015573769700
Order Unit	1

Certificates / Approvals



Technical data

General

Rated current	20 A
Rated voltage	250 V
Rated impulse voltage	4 kV
strain relief	Yes
Pollution degree	3
Lockable	self-locking (unlocking by tool)
Color of coding/ contact carrier	black
Marking of poles	L, N, PE
Color of housing inclusive strain relief	black

Connection Data

Cable diameter max.	10 mm
Cable diameter min.	6 mm
Connection cross section solid mm ² max.	6 mm ²
Connection cross section solid mm ² min.	0.75 mm ²
Connection cross section fine stranded mm ² max.	6 mm ²
Connection cross section fine stranded mm ² min.	0.75 mm ²
Terminations per pole	1
Connection cross section stranded mm ² min.	0.75 mm ²
Connection cross section stranded mm ² max.	6 mm ²
sheath strip length	26.5 mm
Wire strip length	8 mm

Model

Model	male
Connection type	Screw connection

Degree of protection (IP)	IP66/68 (3m;2h) /IP69
---------------------------	-----------------------

Material

Housing material	Polyamide
halogen free	Yes
Contact material	CuZn
Fire load	0.266 kWh
Insulation components continuous temperature	100 °C
Surface finish	Silver-plated

Dimensions

Length	79.1 mm
Width	34.6 mm
Height	34.6 mm

Classification

ECLASS 8.1	27440605
ETIM 7.0	EC002560
ETIM 6.0	EC002560
ETIM 5.0	EC002560
ETIM 4.0	EC002560

Note

Note	RST® terminals with screw clamping allow the connection of conductors without special preparation (without ferrules) according to EN 60999-1.
------	---

Accessories

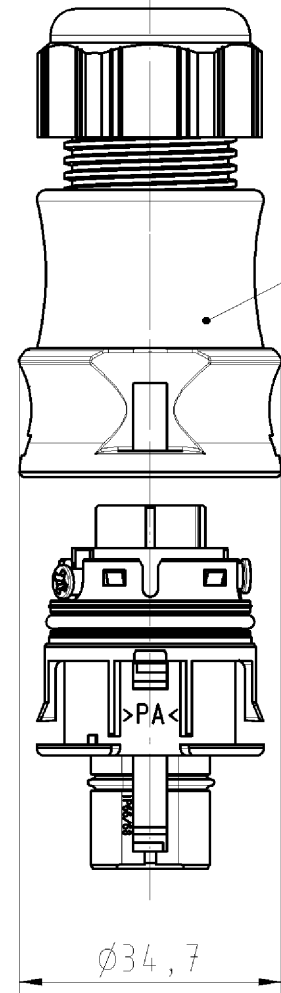
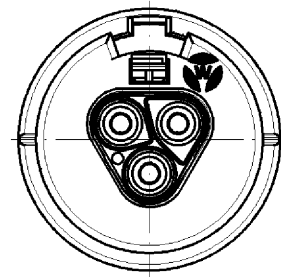
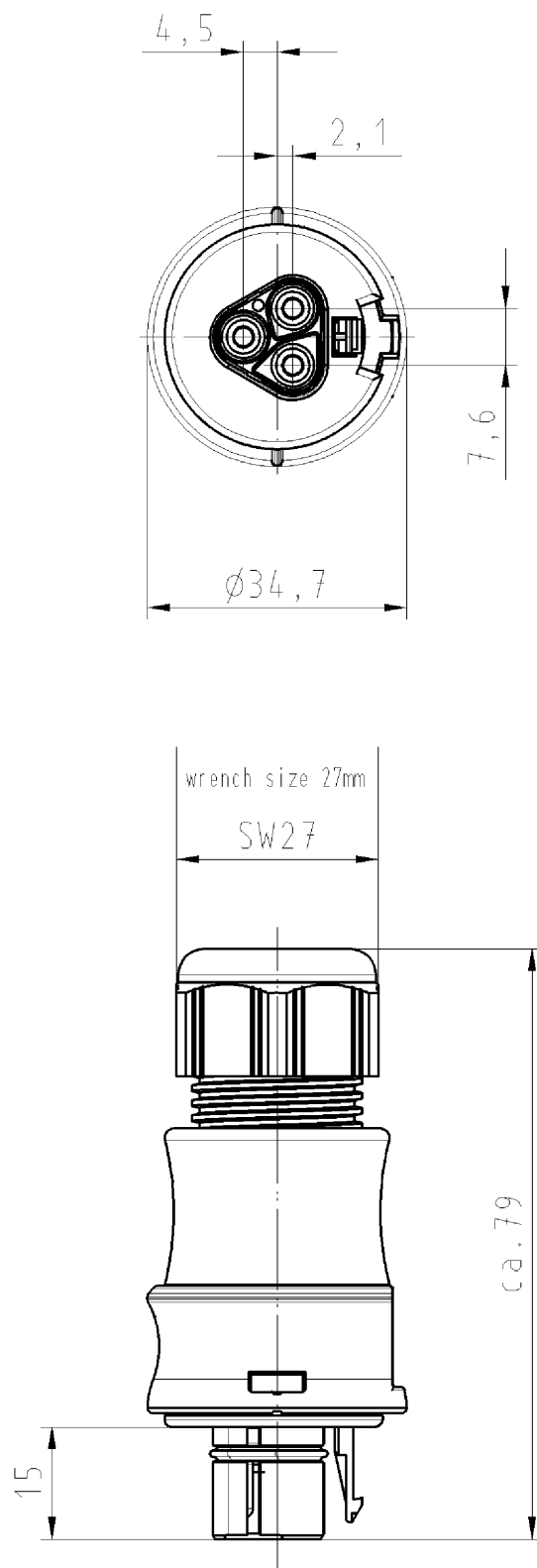
Art.No.:	Article/type description:	Description:
05.564.4453.1	Cover for male connector SW	RST20i3/2 cover piece, for covering unused male connectors, color black
99.416.6205.2	Cover for male connector SW	RST20i3/2 cover piece, for covering unused male connectors, with fastening belt, color black

Fits with

Art.No.:	Article/type description:	Description:
96.030.0153.1	Distributor RST20i3V 3P1 F V SW	RST20i3 distribution block, 3 pole, application 250V with PE, 20A, 1 input and 3 outputs, with fastening option, coding color black, color of housing black
96.031.4053.1	Connector RST20i3S B1 ZR1 SW	RST 20i3 connector, 3 pole, female, screw connection, application 250V with PE, 20A, for cable diameters 6-10mm, coding color black, color of housing black
96.033.4053.1	Connector RST20i3S B1 YR1 SW	RST 20i3 connector (90° angled), 3 pole, female, screw connection, application 250V with PE, 20A, for cable diameters 6-10mm, coding color black, color of housing black
96.031.5053.1	Device connector RST20i3S B1 M01 SW	RST20i3 device connector M25, 3 pole, female, screw connection, application 250V with PE, 20A, coding color black
96.031.6153.1	Device connector RST20i3S B1 M03 SW	RST20i3 device connector M16, 3 pole, female, screw connection, modular, application 250V with PE, 20A, coding color black, color of housing black

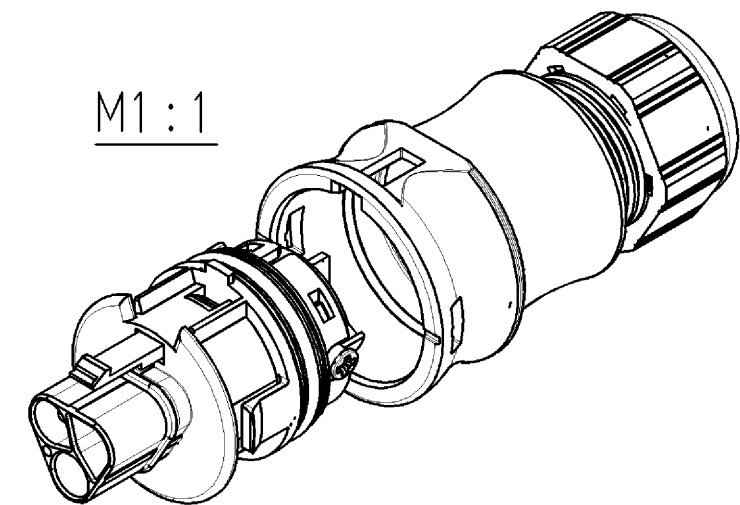
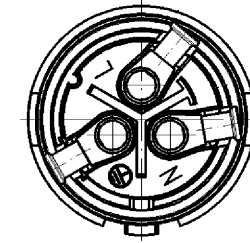
96.031.6053.1	Device connector RST20I3S B1 M00 SW	RST20i3 device connector M20, 3 pole, female, screw connection, modular, application 250V with PE, 20A, coding color black, color of housing black
96.033.6053.1	Device connector RST20I3S B1 M90 SW	RST20i3 device connector (90° angled) M20, 3 pole, female, screw connection, modular, application 250V with PE, 20A, coding color black, color of housing black
96.035.6153.1	Device connector RST20I3S B1 M13 SW	RST20i3 device connector (7° angled) M16, 3 pole, female, screw connection, modular, application 250V with PE, 20A, coding color black, color of housing black
99.929.0000.7	Distributor RST20I3B 7P1 V SW	RST20i3 multi-distribution unit, 3 pole, application 250V, 20A, 1 input and 7 outputs, mounting option, coding color black, color of housing black

- Diese Maße werden bei Abnahme besonders geprüft
- Ausschließlich Prüfmaße
- Mitz./E-Merkmal/zeichneme Maße sind nur für interne Zwecke gültig



for cable diameter 6-10mm
für Kabeldurchmesser 6-10mm

Schnitt A-A
section A-A



Verpackungseinheit: je 100 Stück
packaging unit: per 100

Teile-Nr./ part-nr.	Farbe:/ color:	Einz.-Tl.-Nr.: *)/ single-part-nr.:*)
96.032.4053.1	schwarz, ähnl. RAL 9005/ black, similar to RAL 90051
96.032.4053.0	lichtgrau, ähnl. RAL 7035/ lightgrey, similar to RAL 70350

Freitoleranz nach		CAD - Zeichnung, keine manuellen Änderungen			1. Verwendung: -		Bl.: 1 von 1	
	Maßstab	Werkstoff und Oberfläche: material and surface: Farbe: siehe Tabelle color: look table		2004	Tag	Name	Zeichnung Nr.	
	1:1			Entworfen	27.02.	Kneitz	T 96.032.4053.0 01K a	
	Vol.	mm ³	Ofl.	mm ²	Normgepr.	-	Ersatz für: -	
a	10.05.2005/	wieland		Type	Benennung			
Buchstabe	Datum / Blatt	Elektrische Verbindungen		RST2013	STECKERTEIL MIT ZUGENTLASTUNG			
Änderung				S S1 ZR1 V	male connector with cord grip screw-connection without wire protection/Schraubanschluß ohne Drahtschutz			

Weitergabe sowie Vervielfältigung dieses Dokuments, Verwertung und Mitteilung seines Inhalts sind verboten, soweit nicht ausdrücklich gestattet.
The reproduction, distribution and utilization of this document as well as the communication of its contents to others without express authorization is prohibited.