

Data sheet

Art.No.: 92.032.3358.1

Device connector GST18i3S S1 SW

Device connectors, built-in components, GST18i3, 3 pole, male, screw connection, 250 V, 20 A, colour of coding: black

10110110100010100101011101
0100110110010110100101010
101001101100111001010010
101001101100111001010010
1101010011011001011010010
10101010010101101010010
10101010010101101010011

**DIGITALIZATION
IN PROGRESS**

| | |
|------------|---------------|
| Art.No. | 92.032.3358.1 |
| EAN | 4015573236905 |
| Order Unit | 1 |

Certificates / Approvals



Technical data

General

| | |
|----------------------------------|----------------------------------|
| Rated current | 20 A |
| Rated voltage | 250 V |
| Pollution degree | 2 |
| Mechanical coding | Code 1 |
| Rated impulse voltage | 4 kV |
| Lockable | self-locking (unlocking by tool) |
| Color of coding/ contact carrier | black |
| Marking of poles | L, N, PE |

Connection Data

| | |
|---|----------------------|
| Connection cross section solid mm ² max. | 4 mm ² |
| Connection cross section solid mm ² min. | 0.75 mm ² |
| Connection cross section fine stranded mm ² max. | 4 mm ² |
| Connection cross section fine stranded mm ² min. | 0.75 mm ² |
| Terminations per pole | 1 |
| Wire strip length | 7 mm |

Model

| | |
|------------------------------|---|
| Model | male |
| Connection type | Screw connection |
| Angle of plug | straight |
| Degree of protection (IP) | IP20 |
| Remark to type of connection | Fine stranded wires 4 mm ² only without ferrules |
| built-in component | Built-in component/connector |

Material

| | |
|------------------|-----------|
| Housing material | Polyamide |
|------------------|-----------|

| | |
|--|------------|
| halogen free | Yes |
| Contact material | CuZn |
| Fire load | 0.038 kWh |
| Insulation components continuous temperature | 100 °C |
| Surface finish | Tin-plated |

Dimensions

| | |
|--------|---------|
| Length | 31.5 mm |
| Width | 28.2 mm |
| Height | 19.5 mm |

Classification

| | |
|------------|----------|
| ECLASS 8.1 | 27440602 |
| ETIM 7.0 | EC002566 |
| ETIM 6.0 | EC002566 |
| ETIM 5.0 | EC002566 |
| ETIM 4.0 | EC002566 |

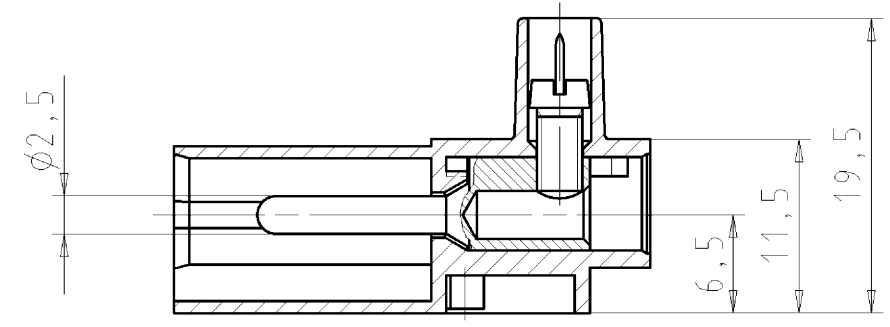
Accessories

| Art.No.: | Article/type description: | Description: |
|---------------|-----------------------------------|---|
| 99.004.8210.0 | strain relief GST18i3 HOCH WS | geis® strain relief for device connectors GST18i3 with screw connection; no integrated locking; use with separate locking or snap-in parts; colour: white |
| 99.005.8210.0 | strain relief GST18i3 HOCH SW | geis® strain relief for device connectors GST18i3 with screw connection; no integrated locking; use with separate locking or snap-in parts; colour: black |
| 05.561.3653.0 | cover cap GST18i3VS B WS | Cover piece for female GST18i3, white |
| 05.561.3653.1 | cover cap GST18i3VS B SW | Cover piece for female GST18i3, black |
| 05.564.5353.0 | cover cap GST18i3/4/5 SW | Cover piece 12 pole black for female parts GST18i3-6 |
| 05.564.5353.2 | cover cap GST18i3/4/5 WS | Cover piece 12 pole white for female parts GST18i3-6 |
| 05.594.4250.0 | cover cap ST18/3B + GST18i3 ST WS | |
| 05.594.4253.0 | cover cap ST18/3B + GST18i3 ST SW | |
| 34.300.1122.1 | Mounting sheet GST18 3-10 POLIG | Mounting bracket to fix one or two GST18 device connectors. 3-10 poles possible. Can be fixed to the housing with screws or rivets. |

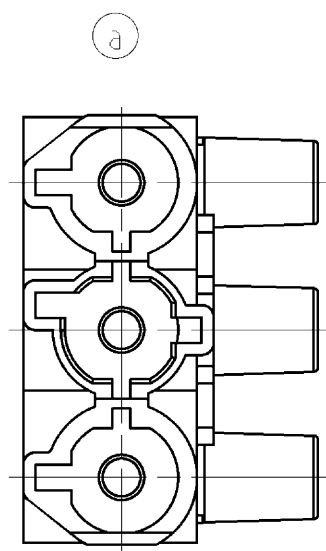
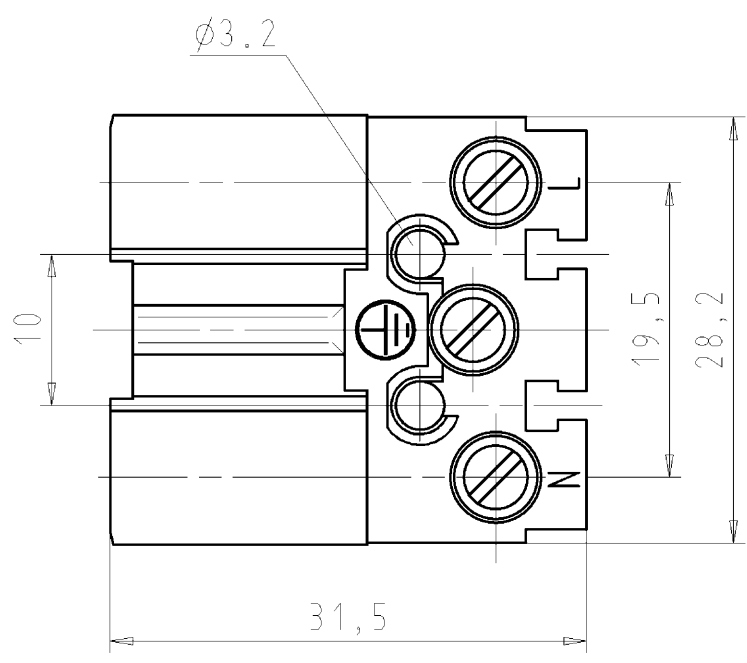
Fits with

| Art.No.: | Article/type description: | Description: |
|---------------|--------------------------------|---|
| 92.731.3053.1 | Connector GST18i3S B1 ZR1 M SW | GST18i3 connector, 3 pole, female with screw connection assembled, coding mains 250 V, 20 A, coding color black, strain relief color black |
| 92.931.3053.1 | Connector GST18i3S B1 ZR1 SW | GST18i3 connector, 3 pole, female with screw connection, coding mains 250 V, 20 A, coding color black, strain relief color black |
| 92.931.5053.1 | Connector GST18i3S B1 ZR2 SW | GST18i3 connector, 3 pole, female with screw connection (tall strain relief), coding mains 250 V, 20 A, coding color black, strain relief color black |

These dimensions will be especially checked at delivery
 Only inspection dimensions
 With /E marked dimensions are only valid for internal use



Diese Maße werden bei Abnahme besonders geprüft
 Ausschließlich Prüfmaße
 Mit /E gekennzeichnete Maße sind nur für interne Zwecke gültig



Weitere Daten siehe Katalog
 further data see catalog

| Teile - Nr. <i>part - no.</i> | Farbe <i>colour</i> | Typ <i>type</i> |
|----------------------------------|-------------------------|--------------------|
| 92.032.3358.0 | weiß <i>white</i> | GST1813S S1 WS |
| 92.032.3358.1 | schwarz <i>black</i> | GST1813S S1 SW |

Tolerierung Size ISO 14405/Tolerance system Size ISO 14405
 (This ISO-standard describes the envelope principle. According to the envelope principle the deviations of form and parallelism are limited by the size tolerances).
 ja/yes Stoffverbots- und Deklarationsliste nach UU-TQM-05/03 ist einzuhalten.
 Conformity with Wieland document UU-TQM-05/03 (list of prohibited / declarable hazardous substances) to be declared!

Freitoleranz nach DIN ISO 2768 - m
 CAD - Zeichnung, keine manuellen Änderungen
 CAD - drawing, no manual modifications allowed
 I.Verwendung: -
 First Use:
 Blatt: 1 von 1
 Sheet: 1 of 1

| | | | | | | |
|----------------------|----------------------------|-------------------|---------------------------------|-------|---|---------------------|
| Werkstoff/Material | 2004 Tag/Date | Name | Zeichnung Nr./Drawing No. | Index | | |
| Maßstab/Scale 2:1 | gezeichnet drawn | 07.06. Schmitt J. | | | T | 92.032.3358.0 01K b |
| | geprüft checked | - - | | | | |
| | Normgepr. Stand., check | - - | Maße in mm/Dimensions are in mm | | | |

Vol. mm³ Öl./Surf. mm² Ersatz für/Replacement for: -

| | | | | |
|-------------------|-------------------------------|--|--|------------------|
| b | 16.11.2012/ | wieland Elektrische Verbindungen | Type | Benennung/Tittle |
| a | 05.02.2009/ | | STECKERTEIL Male connector 250/400V AC, 20A, 2,5qmm | |
| Index | Datum / Blatt Date / Sheet | | | |
| Änderung/Revision | | (b) | | |

Weitergabe sowie Vervielfältigung dieses Dokuments, Verwertung und Mitteilung seines Inhalts sind verboten, soweit nicht ausdrücklich gestattet. Die Reproduktion, Distribution und Utilization of this document as well as the communication of its contents to others without express authorization is prohibited.

920.32.3358001K_2 CADWZ0.35.treschan 2012-11-15 10:34:03 1.000