

# Paintings fiberglass

## PEDRO PEDRO VTR VTR

### BLIND DOOR IP66 IP66

Simple to install and easy to wire, the square PEDRO solve all installation requirements and maximum design freedom.



---

Presentation range	42
General reference Table	46
Specific technical information	48
technical Section	137

---

# Paintings fiberglass

## PEDRO PEDRO VTR VTR

### BLIND DOOR IP66 IP66



#### paintings PEDRO

- 7 sizes
- Halogen free
- Sectional frame and adjustable in depth
- DIN Rail height adjustable
- removable panels
- high strength
- high design aesthetics
- Snaps and with 1/4 turn screws
- Suitable for installations from -25 to + 60 ° C
- Glow wire 960 ° for pictures with blind door and portholes
- The casings of PEDRO series are suitable for the realization of devices assembled according to the Standards 61439-1



## Installation in commercial

The use of slotted panels and blind  
It guarantees a maximum modularity up to 190 modules.



## Installation in industry

A perfect match with the pipe system fittings and INSET.



## Installation in the tertiary sector

ideal element in the development of a plant in view.



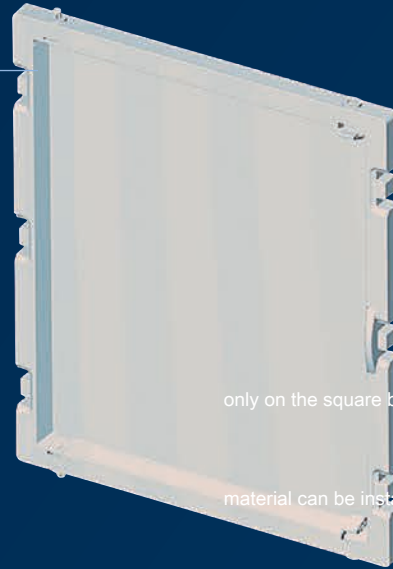
## Installation outdoors

The solution for lighting management in public places.

# Paintings PEDRO



Reversible Door Liner low profile with ergonomic handle



only on the square bottom

material can be installed

available in insulation

different depths. Also

positioning with sliding on

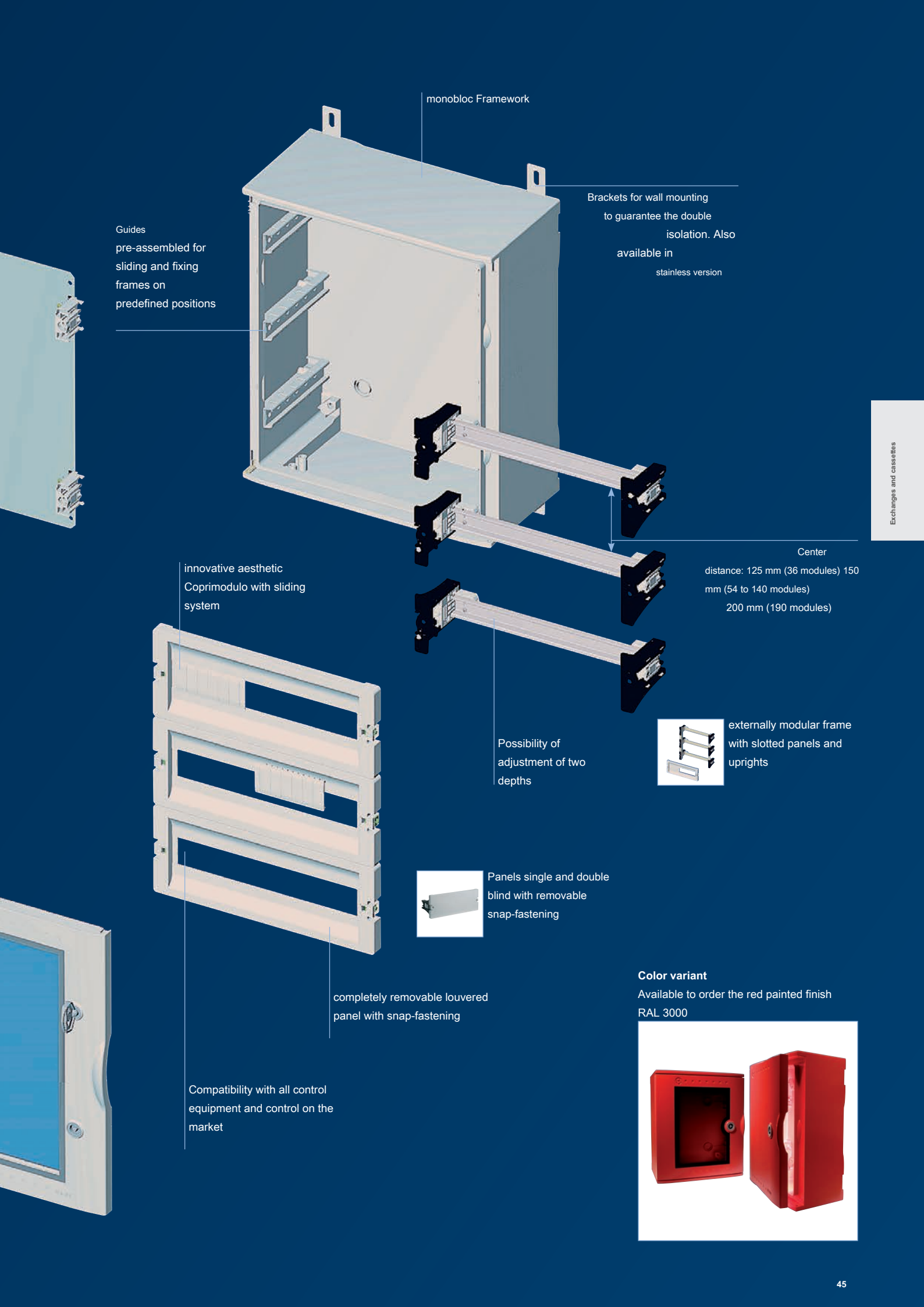
bottom plate for

high aesthetic metal

Porthole door flush with

Portella  
blind and reversible  
portholes





monobloc Framework

Brackets for wall mounting to guarantee the double isolation. Also available in stainless version

Guides pre-assembled for sliding and fixing frames on predefined positions

innovative aesthetic Coprimodulo with sliding system

Possibility of adjustment of two depths



externally modular frame with slotted panels and uprights



Panels single and double blind with removable snap-fastening

completely removable louvered panel with snap-fastening

Compatibility with all control equipment and control on the market

Center  
distance: 125 mm (36 modules) 150 mm (54 to 140 modules) 200 mm (190 modules)

**Color variant**

Available to order the red painted finish RAL 3000



Exchanges and cassettes

- **Color:** RAL 7035
- **Certifications:** . EN 62208 EN 60670-24
- **Degree of protection:** IP66
- **Impact resistance:** IK10
- Supplied with self-adhesive label framework for certification according to IEC 23-51.

### dissipated power

(1) Configuration of the framework with guides DIN + slotted panels  
(Distance 48 mm DIN rail from the louvre panel) (2) of the framework configuration with the bottom plate (the lowest position)

### Brackets double insulation

(A) Zincotropicalizzata (b)  
Steel

Paintings fiberglass blind



Paintings in fiberglass with portholes



Base plate    Insulating base plate    Door Liner Panel    louvre panel    blind    double-blind panel    DIN Rail

PF VTR    PF VTR ISOL CP    PS VTR    PC VTR    PC VTR DOUBLE    GUIDE

	<b>VTR 01 BLIND</b> 300x265x165 mm Package: 1p Pot. Dissipable: 34W (a)		<b>VTR 01 DOOR</b> 300x265x165 mm Package: 1p Pot. Dissipable: 34W (a)	B04670	B04690						
B04601		B04621									
	<b>VTR 02 BLIND</b> 425x325x180 mm Package: 1p Modules: 36 (12x3) Pot. Dissipable: 35W (n. 61W) (a)		<b>VTR 02 DOOR</b> 425x325x180 mm Package: 1p Modules: 36 (12x3) Pot. Dissipable: 35W (n. 61W) (a)	B04671	B04691	B04631	B04640	B04645	B04696	B04660	
B04602		B04622									
	<b>VTR 03 BLIND</b> 500x430x210 mm Package: 1p Modules: 54 (18x3) Pot. Dissipable: 72W (n. 111W) (a)		<b>VTR 03 DOOR</b> 500x430x210 mm Package: 1p Modules: 54 (18x3) Pot. Dissipable: 72W (n. 111W) (a)	B04672	B04692	B04632	B04641	B04646	B04697	B04661	
B04603		B04623									
	<b>VTR 04 BLIND</b> 650x430x210 mm Package: 1p Modules: 72 (18x4) Pot. Dissipable: 81W (n. 122W) (a)		<b>VTR 04 DOOR</b> 650x430x210 mm Package: 1p Modules: 72 (18x4) Pot. Dissipable: 81W (n. 122W) (a)	B04673	B04693	B04633	B04641	B04646	B04697	B04661	
B04604		B04624									
	<b>VTR 05 BLIND</b> 650x540x260 mm Package: 1p Modules: 96 (24x4) Pot. Dissipable: 93W (n. 132W) (a)		<b>VTR 05 DOOR</b> 650x540x260 mm Package: 1p Modules: 96 (24x4) Pot. Dissipable: 93W (n. 132W) (a)	B04674	B04694	B04634	B04642	B04647	B04698	B04662	
B04605		B04625									
	<b>VTR 06 BLIND</b> 805x615x315 mm Package: 1p Modules: 140 (28x5) Pot. Dissipable: 136W (n. 215W) (a)		<b>VTR 06 DOOR</b> 805x615x315 mm Package: 1p Modules: 140 (28x5) Pot. Dissipable: 136W (n. 215W) (a)	B04675	B04695	B04635	B04643	B04648	B04699	B04663	
B04606		B04626									
	<b>VTR 07 BLIND</b> 1060x810x355 mm Package: 1p Modules: 190 (38x5) Pot. Dissipable: 232W (n. 342W) (n)		<b>VTR 07 DOOR</b> 1060x810x355 mm Package: 1p Modules: 190 (38x5) Pot. Dissipable: 232W (n. 342W) (n)	B04677		B04637	B04644	B04649	B04679	B04664	
B04608		B04628									

The symbol • reported on products indicates that they are constructed in such a way as to achieve the protection against indirect contacts through the complete isolation (EN 61439-1). To this end, they must be properly installed according to the instructions that accompany the product and using the appropriate accessories (screw cover caps, brackets).

**technical details**

For specific technical information see pages 48-51.

For rigid conduit systems and sheaths see the section A.7 - pipes and sheaths INSET



<b>Mast</b>	<b>Brackets double insulation</b>	<b>Sliding bottom plate</b>	<b>Portella blind parts</b>	<b>Portella parts with portholes</b>	<b>Pole Attack</b>	<b>bracket Kit</b>	<b>DIN rail bracket</b> (These products will only install CHIP ACTIVE)	<b>Coprimoduli lock</b>	<b>Lock and triangular key</b>
-------------	-----------------------------------	-----------------------------	-----------------------------	--------------------------------------	--------------------	--------------------	---	-------------------------	--------------------------------

MONT	ST VTR	SCOR PF (PF VTR)	BLIND DOOR VTR	DOOR DOOR VTR	FIAP	KIT BRACKETS CAN	SUPP. DIN RAIL	COPRIMOD 6M GRI	SR VTR	TRI TRI CH SR VTR VTR
------	--------	------------------	----------------	---------------	------	------------------	----------------	-----------------	--------	-----------------------

	B04680 (•) B04688 (•)		B04586	B04593	B04581	B04669	B02827 (1 module) B02828 (2 modules)	B05180	B04681	B04666 (lock) B04665 (key)
--	--------------------------	--	--------	--------	--------	--------	---	--------	--------	-------------------------------

B04651	B04680 (•) B04688 (•)	B04682	B04587	B04594	B04582	B04669	B02827 (1 module) B02828 (2 modules)	B05180	B04681	B04666 (lock) B04665 (key)
--------	--------------------------	--------	--------	--------	--------	--------	---	--------	--------	-------------------------------

B04652	B04680 (•) B04688 (•)	B04682	B04588	B04595	B04583	B04669	B02827 (1 module) B02828 (2 modules)	B05180	B04681	B04666 (lock) B04665 (key)
--------	--------------------------	--------	--------	--------	--------	--------	---	--------	--------	-------------------------------

B04653	B04680 (•) B04688 (•)	B04682	B04589	B04596	B04583	B04669	B02827 (1 module) B02828 (2 modules)	B05180	B04681	B04666 (lock) B04665 (key)
--------	--------------------------	--------	--------	--------	--------	--------	---	--------	--------	-------------------------------

B04653	B04680 (•) B04688 (•)	B04682	B04590	B04597	B04584	B04669	B02827 (1 module) B02828 (2 modules)	B05180	B04681	B04666 (lock) B04665 (key)
--------	--------------------------	--------	--------	--------	--------	--------	---	--------	--------	-------------------------------

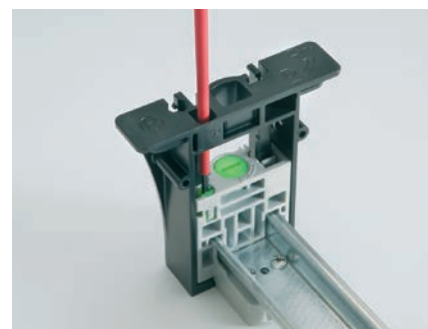
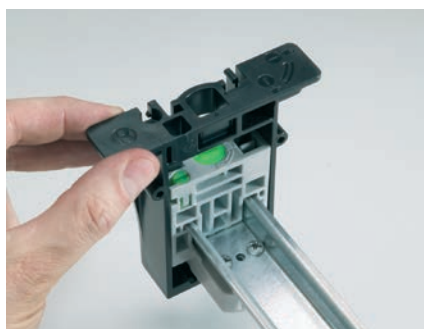
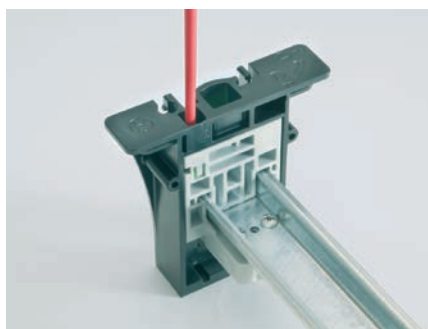
B04654	B04680 (•) B04688 (•)	B04682	B04591	B04598	B04585	B04669	B02827 (1 module) B02828 (2 modules)	B05180	B04681	B04666 (lock) B04665 (key)
--------	--------------------------	--------	--------	--------	--------	--------	---	--------	--------	-------------------------------

B04655	B04680 (•) B04688 (•)	B04682	B04592	B04599		B04669	B02827 (1 module) B02828 (2 modules)	B05180	B04681	B04667 (lock) B04665 (key)
--------	--------------------------	--------	--------	--------	--	--------	---	--------	--------	-------------------------------

Paintings fiberglass



### Change wheelbase frame monofila



The innovative load-bearing structure of DIN rails allows the use of equipment with standard dimensions (48 and 75mm) simply by acting on the central screw. The adjustment can be carried out either before inserting the guide inserted in the framework that guide.

### Positioning frame monofila in the C-shaped guides



The unique internal configuration of cadres offers maximum choice in the positioning of DIN rails.

The 1/4 lives of around ensures a quick and secure attachment.

### louvre panel mounting



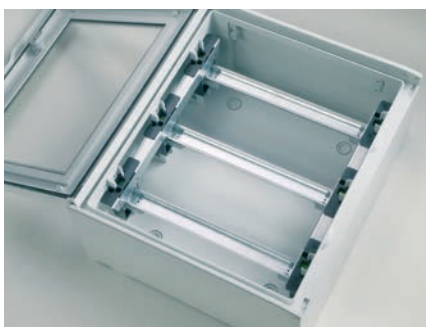
In case of maintenance the mounting and removal operations of the slotted panels are characterized by a simple operation carried out with a tool.

**blind panel mounting**



The paintings of PEDRO series can be equipped with single and double blind panels with snap fastening tool through.

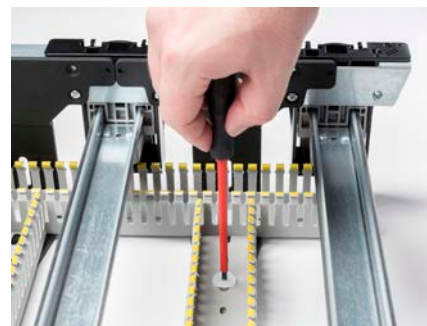
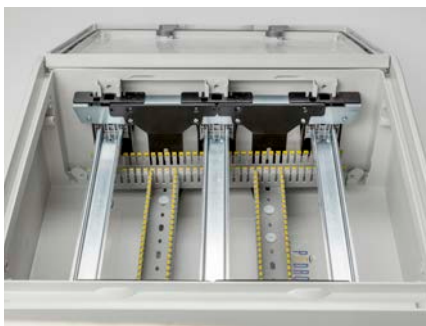
**Mounting composite frame**



Slotted uprights and panels can be assembled externally to the framework to facilitate the wiring operations. Wheelbase:

- 125 mm (36 modules)
- 150 mm (54 to 140 modules).
- 200 mm (190 modules).

**Attaching the cable channels**



The BRACKET KIT CAN allows the use of channels for T1 and T1-N-EN wiring base and with a maximum height of 60mm.

**Opening door with angle > 180 °**



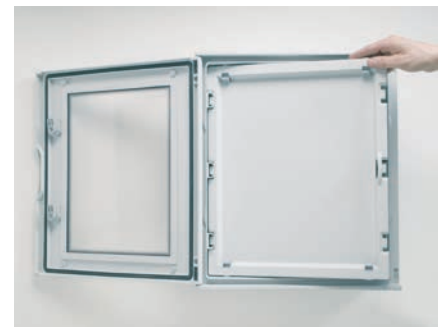
The opening over 180 ° of the door, coming flush with the wall, ensures maximum tranquility in the counter operations and avoids the detachment and rupture of the same, due to the installation framework, in case of accidental impact.

### bottom plate Positioning



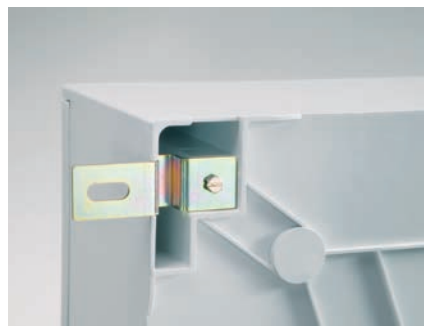
The paintings can be equipped with a non-modular equipment through the use of the bottom plate can be installed directly on the bottom of the framework or positioned at different heights thanks to the sliding part provided to SCOR PF (cod. B04682)

### inner door Positioning



The inner door is characterized by a particular profile capable of ensuring a greater distance from the door with or without portholes. Reversible and installable on two different positions is characterized by an ergonomic handle.

### Mounting brackets double insulation



All of PEDRO frameworks line is equipped with mounting brackets to the wall to ensure the maintenance of double insulation.

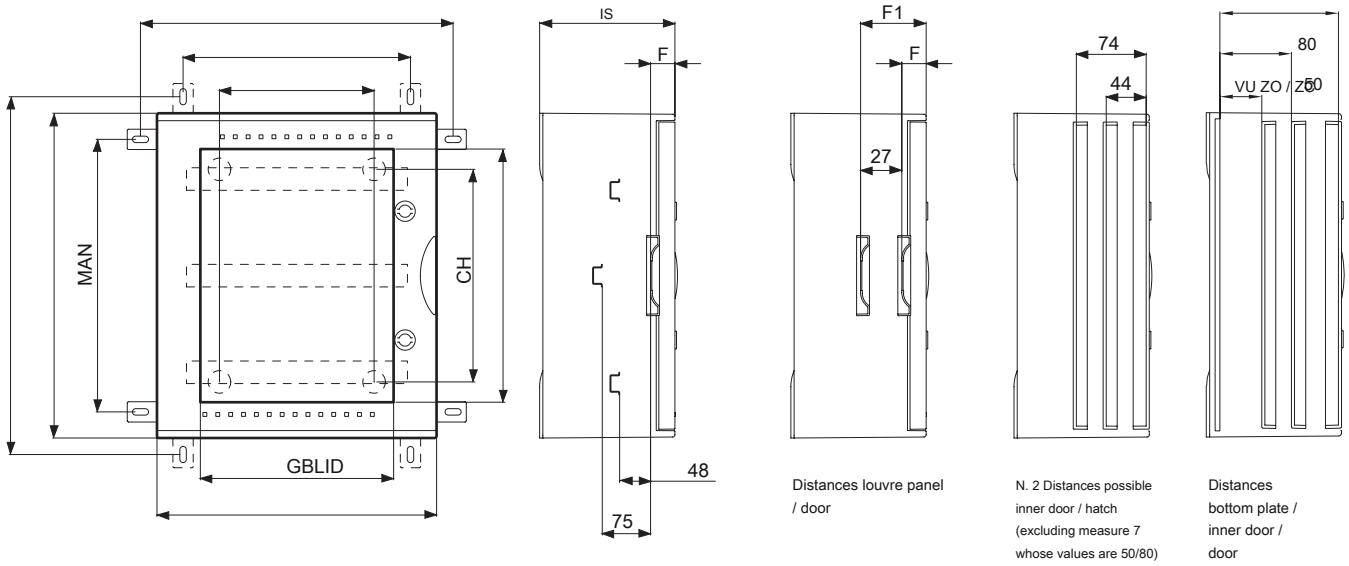
### Pole Attacks



The pole attacks permit the application of PEDRO paintings on poles with diameter from 48 to 80mm; for poles 80 to 200mm use steel strapping 19x0,76mm (not supplied)

**Dimensional drawings**

**VTR BLIND / VTR DOOR**

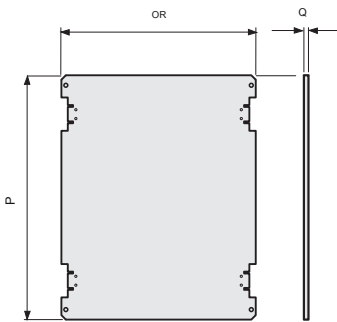


Paintings fiberglass

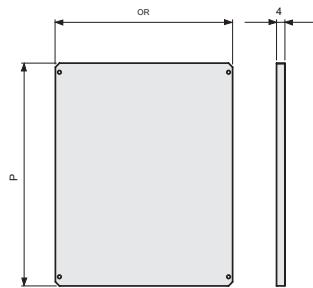
MEASURE / DENOM.	DIMENSIONS (mm)															FORMS		
	TO	B	C	D	IS	F	F1	G	H	THE	L	M	N	U	V	ZO <sub>1</sub>	ZC <sub>2</sub>	
1 VTR 01	303	265	150	110	167	-	-	161	215	184	316	222	354	-	-	135	141	-
2 VTR 02	428	325	255	132	183	40	67	193	319	245	377	348	480	108	78	151	156	36 (3x12)
3 VTR 03	504	434	330	240	210	40	67-94	300	393	353	485	423	555	135	105	177	181	54 (3x18)
4 VTR 04	654	434	480	240	210	40	67-94	300	544	353	485	573	705	135	105	177	181	72 (4x18)
5 VTR 05	654	543	480	348	265	40	67-94 - 121-148	405	544	462	594	573	705	188	158	231	236	96 (4x24)
6 VTR 06	806	616	630	420	319	40	67-94 - 121-148 - 175-202	480	694	533	665	723	855	243	213	284	290	140 (5x28)
7 VTR 07	1056	810	885	600	355	54	81-108 - 135-162 - 189-216	639	875	713	845	974	1105	273	243	315	319	190 (5x38)

.ZO = DOOR paintings for VTR . ZC = BLIND paintings for VTR

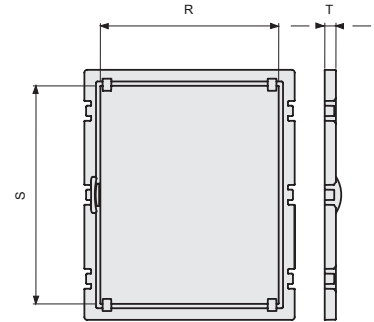
**PF VTR**



**PF VTR ISOL**



**CP VTR**



MEASURE / DENOM.	DIMENSIONS (mm)						
	OR	P	Q	R	S	T	
1 PF VTR01	199	240	1.5	-	-	-	
2 PF - CP VTR02	242	365	1.5	210	314	20	
3 PF - CP VTR03	350	440	1.5	318	389	20	
4 PF - CP VTR04	350	590	2	318	539	20	
5 PF - CP VTR05	458	590	2	425	539	20	
6 PF - CP VTR06	530	740	2	498	689	20	
7 PF - CP VTR07	710	990	2	677	938	25	

**VTR ST / ST VTR INOX**

