



Product designation				Switch disconnecter
Product type designation				GL
Number of poles	nr.			3
Operating voltage type				AC
Contact characteristics				
IEC Conventional free air thermal current I _{th}	A			200
Rated insulation voltage U _i IEC/EN	V			1000
Rated impulse withstand voltage U _{imp}	kV			12
Operating current I _e				
AC21A	400V	A	200	
	500V	A	200	
	690V	A	200	
AC22A	400V	A	200	
	500V	A	200	
	690V	A	200	
AC23A	400V	A	200	
	500V	A	200	
	690V	A	200	
Power dissipation per pole max	W			4
Rated operational power AC23A	400V	kW	110	
	690V	kW	200	
Reactive power for control of capacitors at	400V	kvar	100	
Rated short time current (1s) I _{cw} (rms)			kA	8
Conditional short-circuit current (rms)			kA	100
Short-circuit protection with fuse			Class/A	gG/200
Making capacity AC23A 400V			A	2000
Breaking capacity AC23A 400V			A	1600
Mechanical life			cycles	20000
Mechanical features				
Operating position	normal allowable			Vertical plan Any
Fixing				Screw / DIN rail 35mm
Terminals	type			M8 x 25
Tightening torque for terminals	min	Nm	15	
	max	Nm	22	

min	Ibin	132
max	Ibin	194

Conductor section

IEC min	mm ²	70
IEC max	mm ²	185
AWG/kcmil min		00
AWG/kcmil max		400

Ambient conditions

Operating temperature

min	°C	-25
max	°C	+55

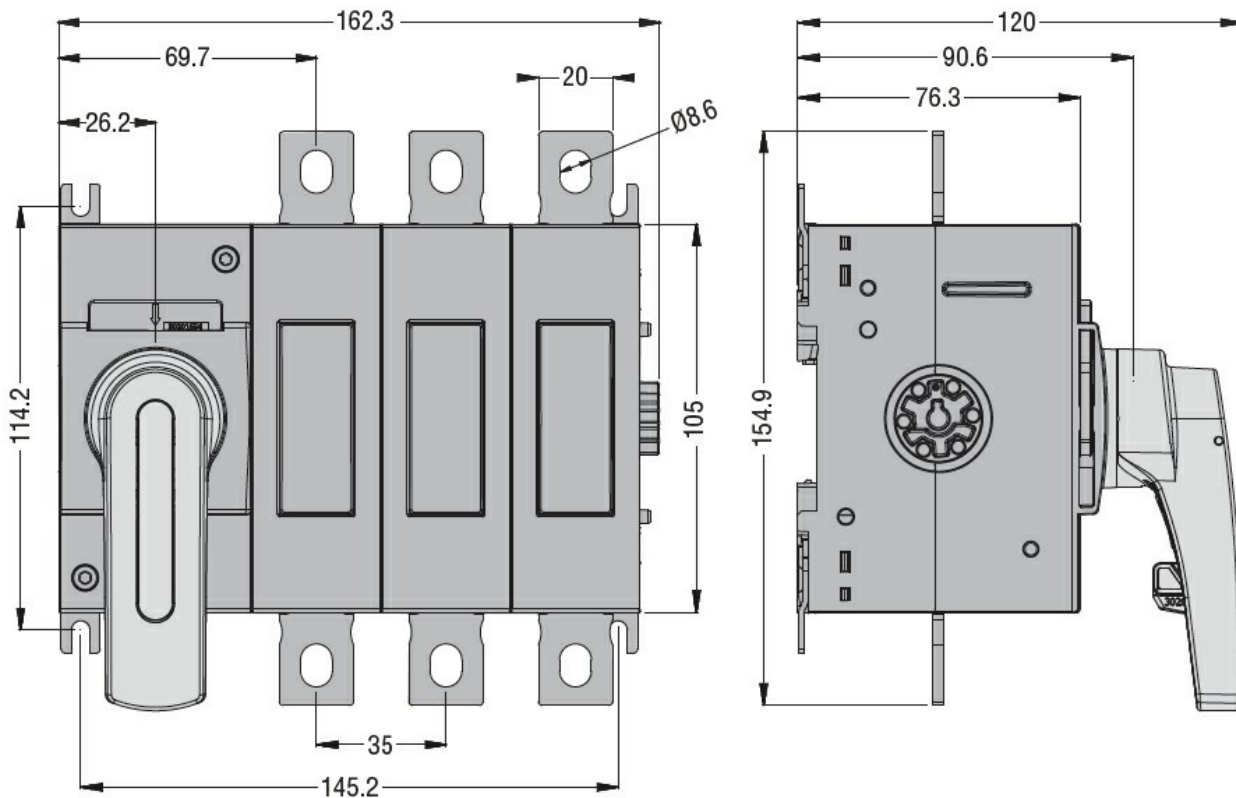
Storage temperature

min	°C	-40
max	°C	+70

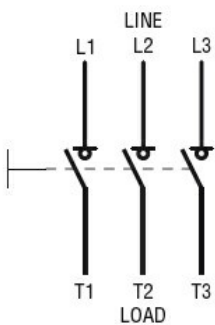
Max altitude

m	3000
---	------

Dimensions



Wiring diagrams



Certifications and compliance

Compliance

IEC/EN 60947-1
IEC/EN 60947-3

Certifications

EAC

ETIM classification

ETIM 8.0

EC000216 -
Switch
disconnecter