

## Data sheet

Commercial Art.No.: 96.052.6053.1

Device connector RST20i5 S1 M00V SW

RST20i5 device connector M20, 5 pole, male, screw connection, modular, application 250/400V with PE, 20A, coding color black, color of housing black



Commercial Art.No.	96.052.6053.1
EAN	4015573862203
Order Unit	1

Certificates / Approvals



## Technical data

### General

Rated current	20 A
Rated voltage	250 V / 400 V
Pollution degree	3
Rated impulse voltage	4 kV
Lockable	self-locking (unlocking by tool)
Color of coding/ contact carrier	black
Marking of poles	1, 2, 3, N, PE
Color of separate adapter (if present)	black

### Connection Data

Connection cross section solid mm <sup>2</sup> max.	4 mm <sup>2</sup>
Connection cross section solid mm <sup>2</sup> min.	0.75 mm <sup>2</sup>
Connection cross section fine stranded mm <sup>2</sup> max.	4 mm <sup>2</sup>
Connection cross section fine stranded mm <sup>2</sup> min.	0.75 mm <sup>2</sup>
Terminations per pole	1
Wire strip length	8 mm

### Model

Model	male
Connection type	Screw connection
Connecting thread metric	M20
Angle of plug	straight
Degree of protection (IP)	IP66/68 (3m;2h) /IP69
Thickness of housings (electrical device) 2	0.5 mm
Thickness of housings (electrical device)	8 mm

**Material**

Housing material	Polyamide
halogen free	Yes
Contact material	CuZn
Fire load	0.205 kWh
Insulation components continuous temperature	100 °C
Surface finish	Silver-plated

**Dimensions**

Length	66.2 mm
Width	34.6 mm
Height	34.6 mm

**Classification**

ECLASS 8.1	27440602
ETIM 7.0	EC002566
ETIM 6.0	EC002566
ETIM 5.0	EC002566
ETIM 4.0	EC002566

**Note**

Note	RST® terminals with screw clamping allow the connection of conductors without special preparation (without ferrules) according to EN 60999-1.; Positioning realised with flattened thread
------	---

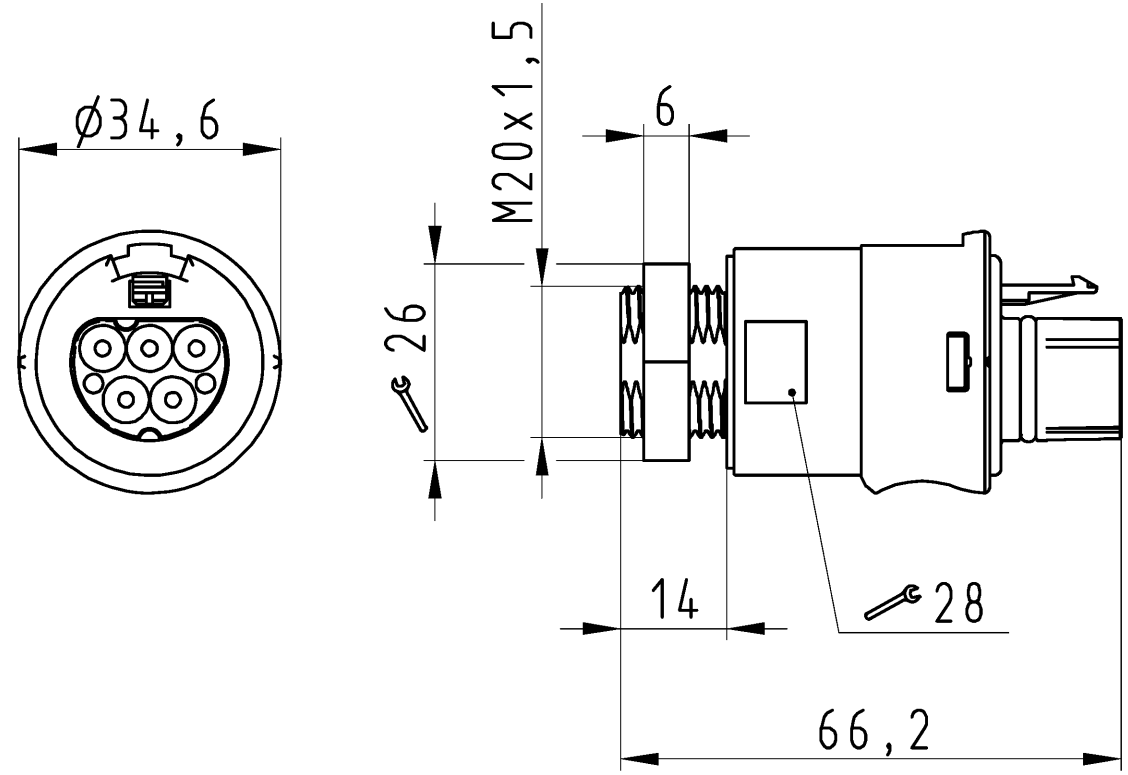
**Product compliance**

ROHS conformity status	compliant with exceptions
ROHS exceptions	III-6(c)
REACH-SVHC conformity status	Declaration required
REACH-SVHC substances	Lead
REACH-SVHC CAS numbers	7439-92-1

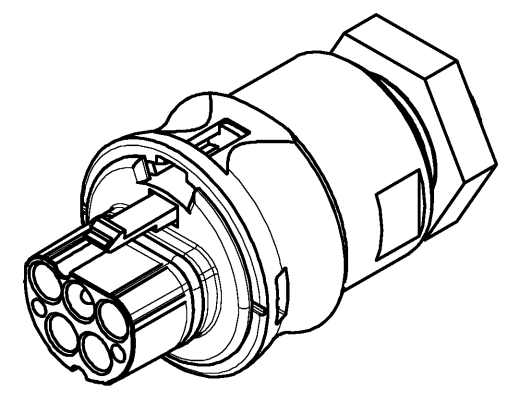
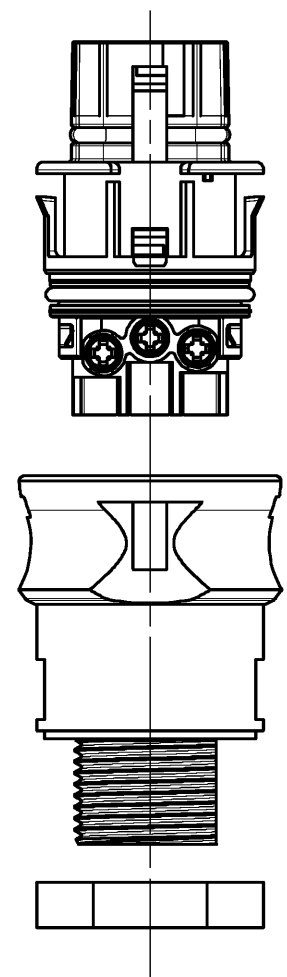
**Fits with**

Commercial Art.No.:	Article-type description:	Description:
96.051.4053.1	Connector RST20I5S B1 ZR1 SW	RST 20i5 connector, 5 pole, female, screw connection, application 250/400V with PE, 20A, for cable diameters 6-10mm, coding color black, color of housing black
96.051.4153.1	Connector RST20I5S B1 ZR2 SW	RST 20i5 connector, 5 pole, female, screw connection, application 250/400V with PE, 20A, for cable diameters 10-14mm, coding color black, color of housing black
96.051.4553.1	Connector RST20I5S B1 ZR3 SW	RST 20i5 connector, 5 pole, female, screw connection, application 250/400V with PE, 20A, for cable diameters 13-18mm, coding color black, color of housing black
96.053.4053.1	Connector RST20I5S B1 YR1 SW	RST 20i5 connector (90° angled), 5 pole, female, screw connection, application 250/400V with PE, 20A, for cable diameters 6-10mm, coding color black, color of housing black
96.053.4153.1	Connector RST20I5S B1 YR2 SW	RST 20i5 connector (90° angled), 5 pole, female, screw connection, application 250/400V with PE, 20A, for cable diameters 10-14mm, coding color black, color of housing black

96.051.4253.1	Connector RST20I5S B1 ZRX SW	RST 20i5 splitter connector, 5 pole, female, screw connection, application 250/400V with PE, 20A, for cable diameters 6-10mm, coding color black, color of housing black
96.051.4353.1	Connector RST20I5S B1 ZRY SW	RST 20i5 splitter connector, 5 pole, female, screw connection, application 250/400V with PE, 20A, for cable diameters 10-14mm, coding color black, color of housing black



**Auslieferungszustand**  
delivery status



Verpackungseinheit: je 100 Stück  
packaging unit: per 100

96.052.6053.1	RST2015S S1 M03V SW	schwarz /black
96.052.6053.0	RST2015S S1 M03V GL	lichtgrau /light grey
Bestellnummer /Order number	Typ /Type	Farbe /color

**Weitere Daten siehe KATALOG oder eKatalog.**  
**Additional data see CATALOG or eCatalog.** [www.wieland-electric.com](http://www.wieland-electric.com)  
[eshop.wieland-electric.com](http://eshop.wieland-electric.com)

Öffnungsmassbild siehe 96.031.2053.1 14K  
opening dimension see 96.031.2053.1 14K

Tolerierung Size ISO 14405(®)/Tolerance system Size ISO 14405(®). (This ISO-standard describes the envelope principle. According to the envelope principle the deviations of form and parallelism are limited by the size tolerances).		ja/yes <input checked="" type="checkbox"/> Stoffverbots- und Deklarationsliste nach WN 5020.010 ist einzuhalten. Conformity with Wieland document WN 5020.010 e (list of prohibited / declarable hazardous substances) to be declared!	
Freitoleranz nach General tolerance	CAD - Zeichnung, keine manuellen Änderungen CAD - drawing, no manual modifications allowed	1.Verwendung: First Use:	Blatt: 1 von 1 Sheet: of 1
Werkstoff/Material	2015 Tag/Date	Name	Zeichnung Nr./Drawing No. Index
Maßstab/Scale	gezeichnet drawn	Nagengast F.	
1:1	geprüft checked		T 96.052.6053.0 13K
Vol. mm³ Ofl./Surf. mm²	Normgepr. Stand. check		
Ersatz für/Replacement for: -		Maße in mm/Dimensions are in mm	
Type		Benennung/Title	
www.wieland-electric.com		STECKERTEIL male connector	
Index	Datum / Blatt Date / Sheet		
Änderung/Revision			

These dimensions will be especially checked at delivery  
Only inspection dimensions  
With /E marked dimensions are only valid for internal use

Diese Maße werden bei Abnahme besonders geprüft  
Ausschließlich Prüfmaße  
Mit /E gekennzeichnete Maße sind nur für interne Zwecke gültig

Weitergabe sowie Vervielfältigung dieses Dokuments, Verwertung und Mitteilung seines Inhalts sind verboten, soweit nicht ausdrücklich gestattet.  
The reproduction, distribution and utilization of this document as well as the communication of its contents to others without express authorization is prohibited.