

Data sheet

Art.No.: 96.051.4153.1

Connector RST20I5S B1 ZR2 SW

RST 20I5 connector, 5 pole, female, screw connection, application 250/400V with PE, 20A, for cable diameters 10-14mm, coding color black, color of housing black



Art.No.	96.051.4153.1
EAN	4015573861848
Order Unit	1

Certificates / Approvals



Technical data

General

Rated current	20 A
Rated voltage	250 V / 400 V
Rated impulse voltage	4 kV
strain relief	Yes
Pollution degree	3
Lockable	self-locking (unlocking by tool)
Color of coding/ contact carrier	black
Marking of poles	1, 2, 3, N, PE
Color of housing inclusive strain relief	black

Connection Data

Cable diameter max.	14 mm
Cable diameter min.	10 mm
Connection cross section solid mm ² max.	4 mm ²
Connection cross section solid mm ² min.	0.75 mm ²
Connection cross section fine stranded mm ² max.	4 mm ²
Connection cross section fine stranded mm ² min.	0.75 mm ²
Terminations per pole	1
Connection cross section stranded mm ² min.	0.75 mm ²
Connection cross section stranded mm ² max.	4 mm ²
sheath strip length	26.5 mm
Wire strip length	8 mm

Model

Model	female
Connection type	Screw connection

Degree of protection (IP)	IP66/68 (3m;2h) /IP69
---------------------------	-----------------------

Material

Housing material	Polyamide
halogen free	Yes
Contact material	CuZn
Fire load	0.289 kWh
Insulation components continuous temperature	100 °C
Surface finish	Silver-plated

Dimensions

Length	80.4 mm
Width	34.6 mm
Height	34.6 mm

Classification

ECLASS 8.1	27440605
ETIM 7.0	EC002560
ETIM 6.0	EC002560
ETIM 5.0	EC002560
ETIM 4.0	EC002560

Note

Note	RST® terminals with screw clamping allow the connection of conductors without special preparation (without ferrules) according to EN 60999-1.
------	---

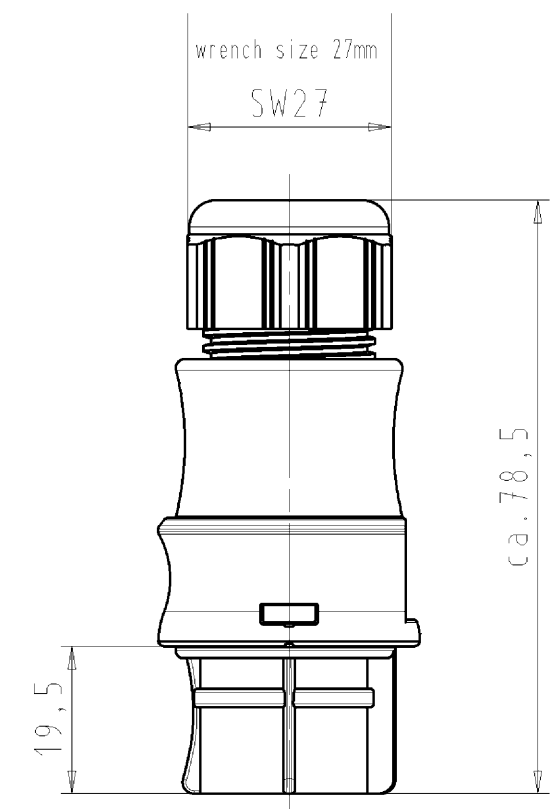
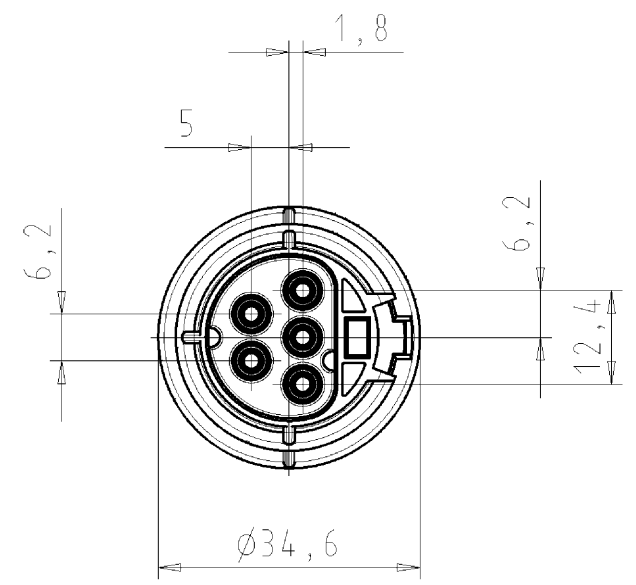
Fits with

Art.No.:	Article/type description:	Description:
96.050.0153.1	Distributor RST20i5B 3P1 F VG SW	RST20i5 compact distribution unit, 5 pole, application 250/400V with PE, 20A, 1 input and 3 outputs, with fastening option, coding color black, color of housing black
96.052.4153.1	Connector RST20i5S S1 ZR2 V SW	RST 20i5 connector, 5 pole, male, screw connection, application 250/400V with PE, 20A, for cable diameters 10-14mm, coding color black, color of housing black
96.054.4153.1	Connector RST20i5S S1 YR2 V SW	RST 20i5 connector (90° angled), 5 pole, male, screw connection, application 250/400V with PE, 20A, for cable diameters 10-14mm, coding color black, color of housing black
96.052.5053.1	Device connector RST20i5S S1 M01V SW	RST20i5 device connector M25, 5 pole, male, screw connection, application 250/400V with PE, 20A, coding color black
96.052.6153.1	Device connector RST20i5S S1 M03V SW	RST20i5 device connector M16, 5 pole, male, screw connection, modular, application 250/400V with PE, 20A, coding color black, color of housing black
96.052.6053.1	Device connector RST20i5S S1 M00V SW	RST20i5 device connector M20, 5 pole, male, screw connection, modular, application 250/400V with PE, 20A, coding color black, color of housing black
96.054.6053.1	Device connector RST20i5S S1 M90V SW	RST20i5 device connector (90° angled) M20, 5 pole, male, screw connection, modular, application 250/400V with PE, 20A, coding color black, color of housing black

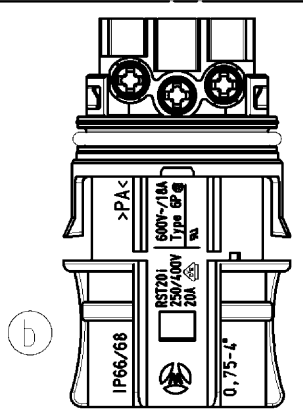
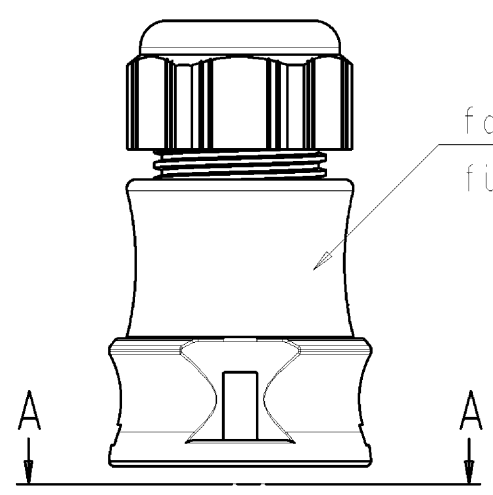
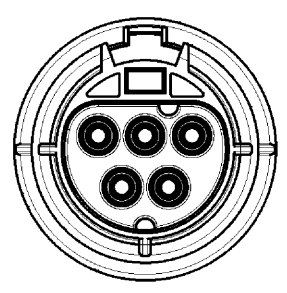
96.054.6253.1	Device connector RST20I5S S1 M91V SW	RST20i5 device connector (90° angled) M25, 5 pole, male, screw connection, modular, application 250/400V with PE, 20A, coding color black, color of housing black
96.056.6153.1	Device connector RST20I5S S1 M13V SW	RST20i5 device connector (7° angled) M16, 5 pole, male, screw connection, modular, application 250/400V with PE, 20A, coding color black, color of housing black

These dimensions will be especially checked at delivery
 Only inspection dimensions
 With /E marked dimensions are only valid for internal use

Diese Maße werden bei Abnahme besonders geprüft
 Ausschließlich Prüfmaße
 Mit /E gekennzeichnete Maße sind nur für interne Zwecke gültig

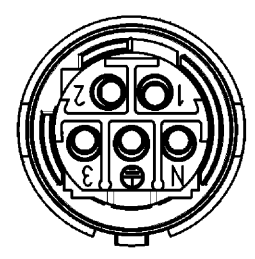


Auslieferungszustand
delivery status

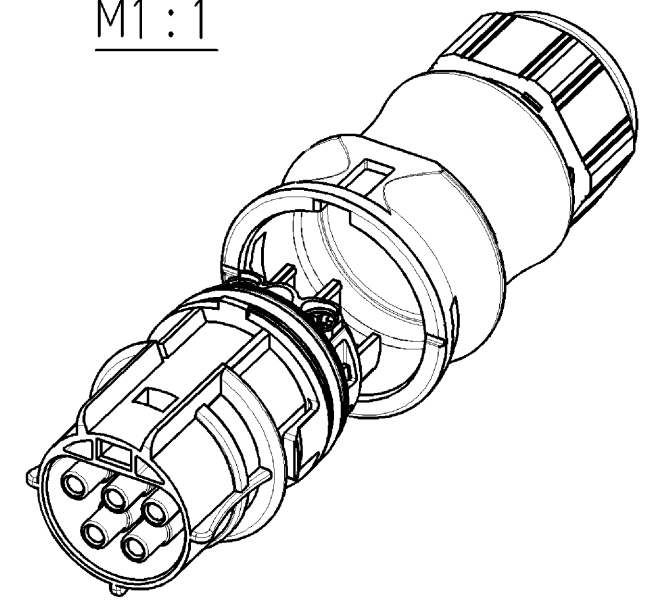


Verpackungseinheit: je 100 Stück
 packaging unit: per 100

A-A



M1:1



Weitergabe sowie Vervielfältigung dieses Dokuments, Verwertung und Mitteilung seines Inhalts sind verboten, soweit nicht ausdrücklich gestattet. Die Reproduktion, Distribution und Nutzung dieses Dokuments sowie die Kommunikation der Inhalte mit Dritten ohne schriftliche Genehmigung ist untersagt.

Tolerierung nach DIN 7167/Tolerance system acc. to DIN 7167. (This DIN-standard describes the envelope principle. According to the envelope principle the deviations of form and parallelism are limited by the size tolerances).		nein/no <input checked="" type="checkbox"/> Stoffverbots- und Deklarationsliste nach UU-TOM-05/03 ist einzuhalten. Conformity with Wieland document UU-TOM-05/03 (list of prohibited / declarable hazardous substances) to be declared!	
Freitoleranz nach General tolerance		CAD - Zeichnung, keine manuellen Änderungen CAD - drawing, no manual modifications allowed	1. Verwendung: - First Use:
Blatt: 1 von 1 Sheet: of 1		Zeichnung Nr./Drawing No. Index	
T 96.051.4153.0 01K b		Maße in mm/Dimensions are in mm	
Maßstab/Scale 1:1		Ersatz für/Replacement for: -	
Wieland Elektrische Verbindungen		Benennung/Titel BUCHSENTE IL MIT ZUGENTLASTUNG female connector with cord grip Schraubenschluß ohne Drahtschutz/screw-connection without wire protection Standardkodierung 0/standard-keying 0 (250V/400V/20A)	

Teile-Nr./ part-nr.	Farbe:/ color:	Type
96.051.4153.1	schwarz, ähnl. RAL 9005/ black, similar to RAL 9005	RST2015S B1 ZR2 V SW
96.051.4153.0	lichtgrau, ähnl. RAL 7035/ lightgrey, similar to RAL 7035	RST2015S B1 ZR2 V GL