

Data sheet

Art.No.: 96.041.4153.1

Connector RST20I4S B1 ZR2 SW

RST 20I5/4 connector, 4 pole, female, screw connection, application 250/400V with PE, 20A, for cable diameters 10-14mm, coding color black, color of housing black



Art.No.	96.041.4153.1
EAN	4015573863224
Order Unit	1

Certificates / Approvals



LR



Technical data

General

Rated current	20 A
Rated voltage	250 V / 400 V
Rated impulse voltage	4 kV
strain relief	Yes
Pollution degree	3
Lockable	self-locking (unlocking by tool)
Color of coding/ contact carrier	black
Marking of poles	1, 2, 3, PE
Color of housing inclusive strain relief	black

Connection Data

Cable diameter max.	14 mm
Cable diameter min.	10 mm
Connection cross section solid mm ² max.	4 mm ²
Connection cross section solid mm ² min.	0.75 mm ²
Connection cross section fine stranded mm ² max.	4 mm ²
Connection cross section fine stranded mm ² min.	0.75 mm ²
Terminations per pole	1
Connection cross section stranded mm ² min.	0.75 mm ²
Connection cross section stranded mm ² max.	4 mm ²
sheath strip length	26.5 mm
Wire strip length	8 mm

Model

Model	female
-------	--------

Connection type	Screw connection
Degree of protection (IP)	IP66/68 (3m;2h) /IP69

Material

Housing material	Polyamide
halogen free	Yes
Contact material	CuZn
Fire load	0.292 kWh
Insulation components continuous temperature	100 °C
Surface finish	Silver-plated

Dimensions

Length	80.4 mm
Width	34.6 mm
Height	34.6 mm

Classification

ECLASS 8.1	27440605
ETIM 7.0	EC002560
ETIM 6.0	EC002560
ETIM 5.0	EC002560
ETIM 4.0	EC002560

Note

Note	RST® terminals with screw clamping allow the connection of conductors without special preparation (without ferrules) according to EN 60999-1.
------	---

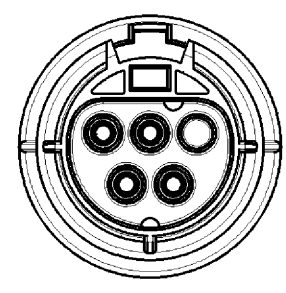
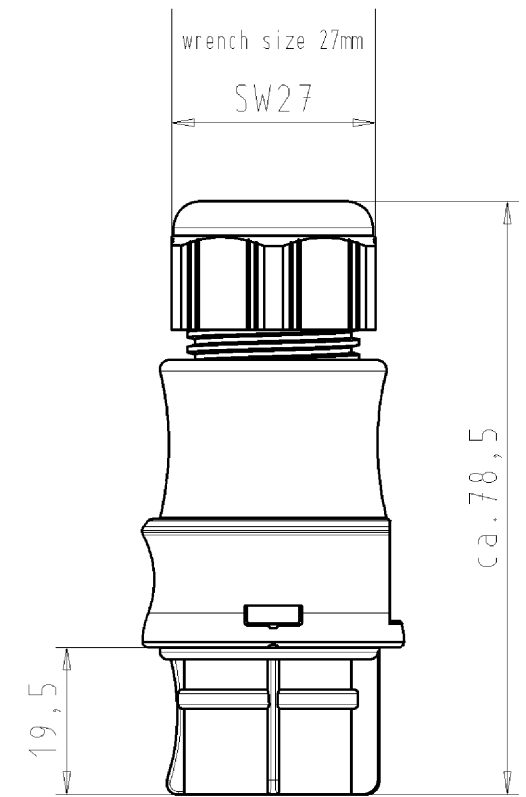
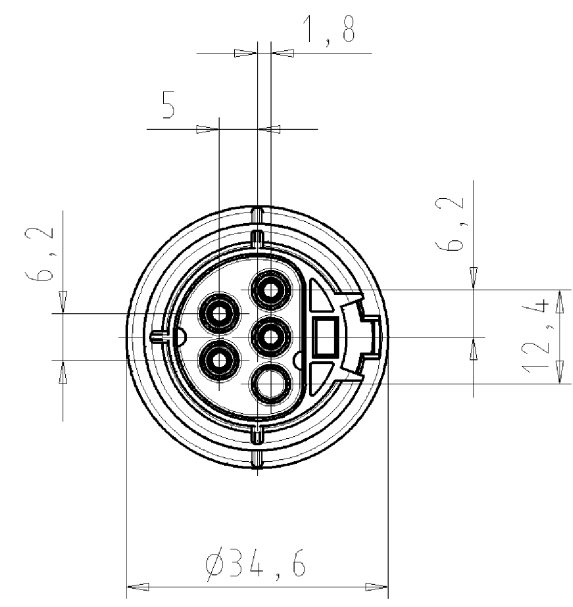
Fits with

Art.No.:	Article/type description:	Description:
96.042.4153.1	Connector RST20I4S S1 ZR2 V SW	RST 20i5/4 connector, 4 pole, male, screw connection, application 250/400V with PE, 20A, for cable diameters 10-14mm, coding color black, color of housing black
96.044.4153.1	Connector RST20I4S S1 YR2 V SW	RST 20i5/4 connector (90° angled), 4 pole, male, screw connection, application 250/400V with PE, 20A, for cable diameters 10-14mm, coding color black, color of housing black
96.042.5053.1	Device connector RST20I4S S1 M01V SW	RST20i5/4 device connector M25, 4 pole, male, screw connection, application 250/400V with PE, 20A, coding color black
96.042.6153.1	Device connector RST20I4S S1 M03V SW	RST20i5/4 device connector M16, 4 pole, male, screw connection, modular, application 250/400V with PE, 20A, coding color black, color of housing black
96.042.6053.1	Device connector RST20I4S S1 M00V SW	RST20i5/4 device connector M20, 4 pole, male, screw connection, modular, application 250/400V with PE, 20A, coding color black, color of housing black
96.044.6053.1	Device connector RST20I4S S1 M90V SW	RST20i5/4 device connector (90° angled) M20, 4 pole, male, screw connection, modular, application 250/400V with PE, 20A, coding color black, color of housing black
96.044.6253.1	Device connector RST20I4S S1 M91V SW	RST20i5/4 device connector (90° angled) M25, 4 pole, male, screw connection, modular, application 250/400V with PE, 20A, coding color black, color of housing black

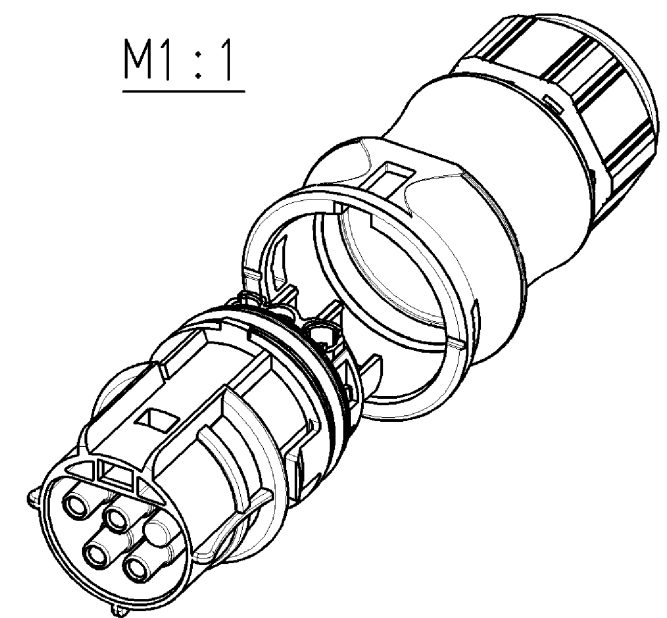
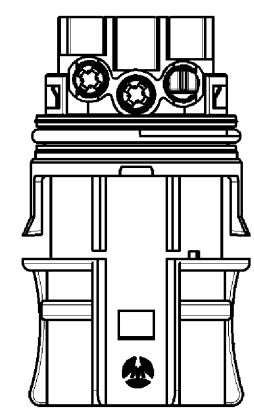
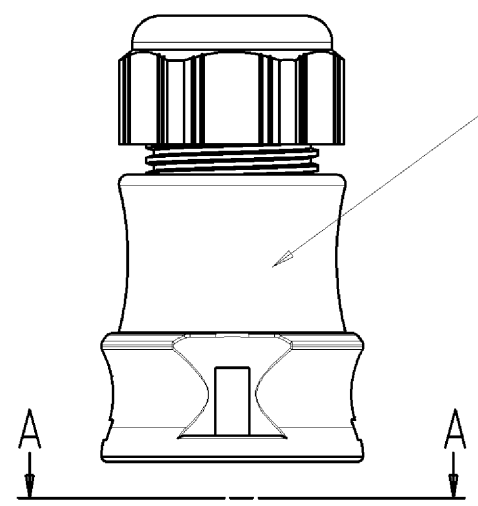
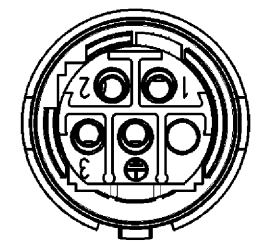
96.046.6153.1	Device connector RST20I4S S1 M13V SW	RST20i5/4 device connector (7° angled) M16, 4 pole, male, screw connection, modular, application 250/400V with PE, 20A, coding color black, color of housing black
---------------	--------------------------------------	--

These dimensions will be especially checked at delivery
 Only inspection dimensions
 With /E marked dimensions are only valid for internal use

Diese Maße werden bei Abnahme besonders geprüft
 Ausschließlich Prüfmaße
 Mit /E gekennzeichnete Maße sind nur für interne Zwecke gültig



A-A



M1:1

Teile-Nr./ part-nr.	Farbe:/ color:	Type
96.041.4153.1	schwarz, ähnl. RAL 9005/ black, similar to RAL 9005	RST2014S B1 ZR2 V SW
96.041.4153.0	lichtgrau, ähnl. RAL 7035/ lightgrey, similar to RAL 7035	RST2014S B1 ZR2 V GL

Tolerierung nach DIN 7167/Tolerance system acc. to DIN 7167.
 (This DIN-standard describes the envelope principle. According to the envelope principle the deviations of form and parallelism are limited by the size tolerances).

nein/no Stoffverbots- und Deklarationsliste nach UU-TQM-05/03 ist einzuhalten.
 Conformity with Wieland document UU-TQM-05/03 (list of prohibited / declarable hazardous substances) to be declared!

Freitoleranz nach General tolerance	CAD - Zeichnung, keine manuellen Änderungen CAD - drawing, no manual modifications allowed	1. Verwendung: First Use: -	Blatt: 1 von 1 Sheet: 1 of 1
/	Werkstoff/Material	2005 Tag/Date Name	Zeichnung Nr./Drawing No. Index T 96.041.4153.0 01K a
/	Maßstab/Scale 1:1	gezeichnet drawn 29.08. Kneitz geprüft checked - Nicht gepr. Stand. check -	
/	Vol. mm ³ Öl./Surf. mm ²	Ersatz für/Replacement for: -	
/	 wieland Elektrische Verbindungen	Type siehe Tabelle	Benennung/Title BUCHSENTEIL MIT ZUGENTLASTUNG female connector with cord grip Schraubanschluß ohne Drahtschutz/screw-connection without wire protection Standardkodierung 0/standard-keying 0 (250V/400V/20A)
a	07.12.2005/ Datum / Blatt Date / Sheet		
Änderung/Revision			

Weitergabe sowie Vervielfältigung dieses Dokuments, Verwertung und Mitteilung seines Inhalts sind verboten, soweit nicht ausdrücklich gestattet.
 The reproduction, distribution and utilization of this document as well as the communication of its contents to others without express authorization is prohibited.

960414153001K_4_CADW1019_Kneitz 2005-12-07T08:55:02 1.000