

Data sheet

Commercial Art.No.: 96.031.4253.1

Connector RST20I3S B1 ZRX SW

RST 20i3 splitter connector, 3 pole, female, screw connection, application 250V with PE, 20A, for cable diameters 6-10mm, coding color black, color of housing black



Commercial Art.No.	96.031.4253.1
EAN	4015573769663
Order Unit	1

Certificates / Approvals



Technical data

General

Rated current	20 A
Rated voltage	250 V
Rated impulse voltage	4 kV
strain relief	Yes
Pollution degree	3
Lockable	self-locking (unlocking by tool)
Color of coding/ contact carrier	black
Marking of poles	L, N, PE
Color of housing inclusive strain relief	black

Connection Data

Cable diameter max.	10 mm
Cable diameter min.	6 mm
Connection cross section solid mm ² max.	2.5 mm ²
Connection cross section solid mm ² min.	0.75 mm ²
Connection cross section solid AWG min.	2.5
Connection cross section fine stranded mm ² max.	2.5 mm ²
Connection cross section fine stranded mm ² min.	0.75 mm ²
Connection cross section fine stranded AWG min.	2.5
Terminations per pole	1
Connection cross section stranded mm ² min.	0.75 mm ²
Connection cross section stranded mm ² max.	2.5 mm ²
sheath strip length	40.5 mm
Wire strip length	8 mm

Model

Model	female
Connection type	Screw connection
Degree of protection (IP)	IP66/68 (3m;2h) /IP69

Material

Housing material	Polyamide
halogen free	Yes
Contact material	CuZn
Fire load	0.517 kWh
Insulation components continuous temperature	100 °C
Surface finish	Silver-plated

Dimensions

Length	97 mm
Width	59 mm
Height	38 mm

Classification

ECLASS 8.1	27440605
ETIM 7.0	EC002560
ETIM 6.0	EC002560
ETIM 5.0	EC002560
ETIM 4.0	EC002560

Note

Note	RST® terminals with screw clamping allow the connection of conductors without special preparation (without ferrules) according to EN 60999-1.
------	---

Product compliance

ROHS conformity status	compliant with exceptions
ROHS exceptions	III-6(c)
REACH-SVHC conformity status	Declaration required
REACH-SVHC substances	Lead
REACH-SVHC CAS numbers	7439-92-1

Accessories

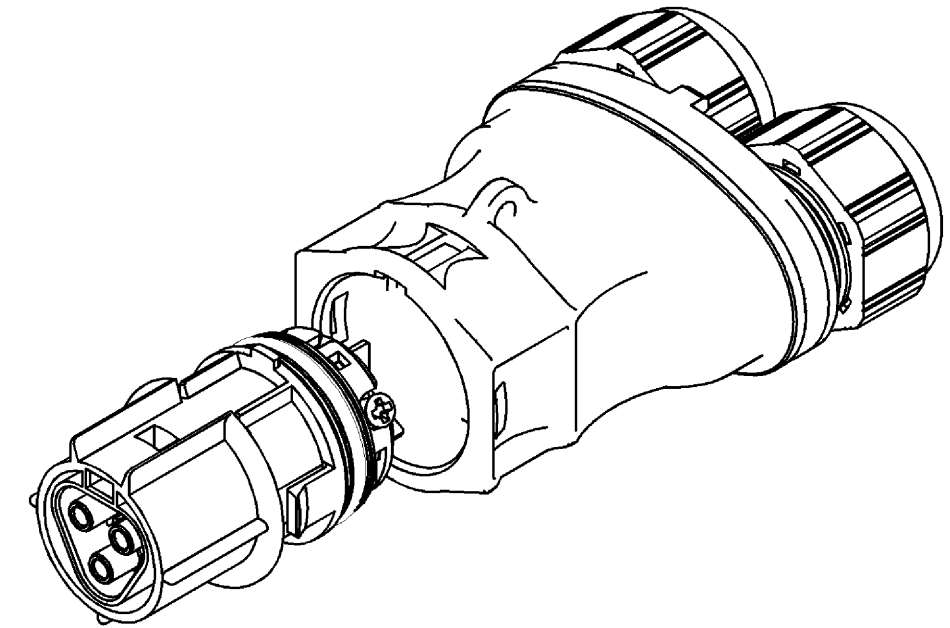
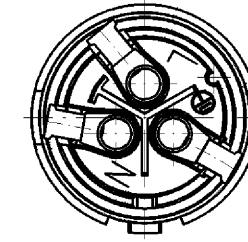
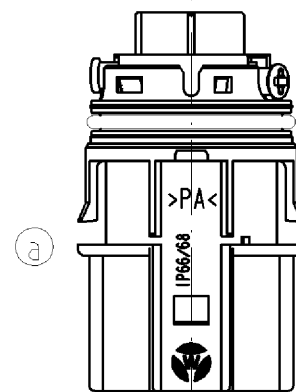
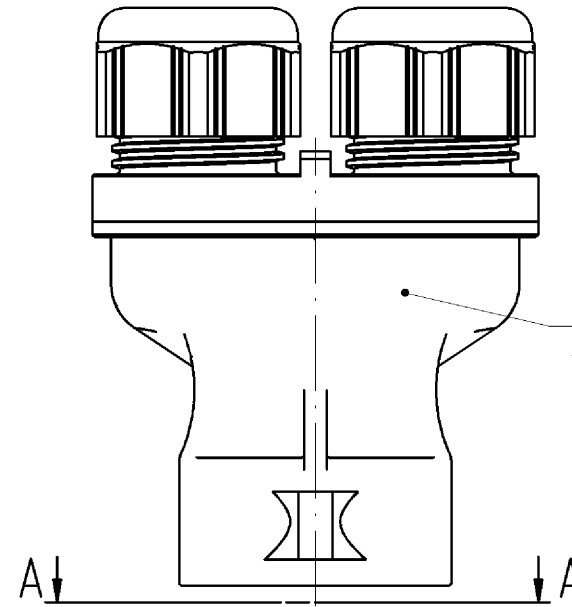
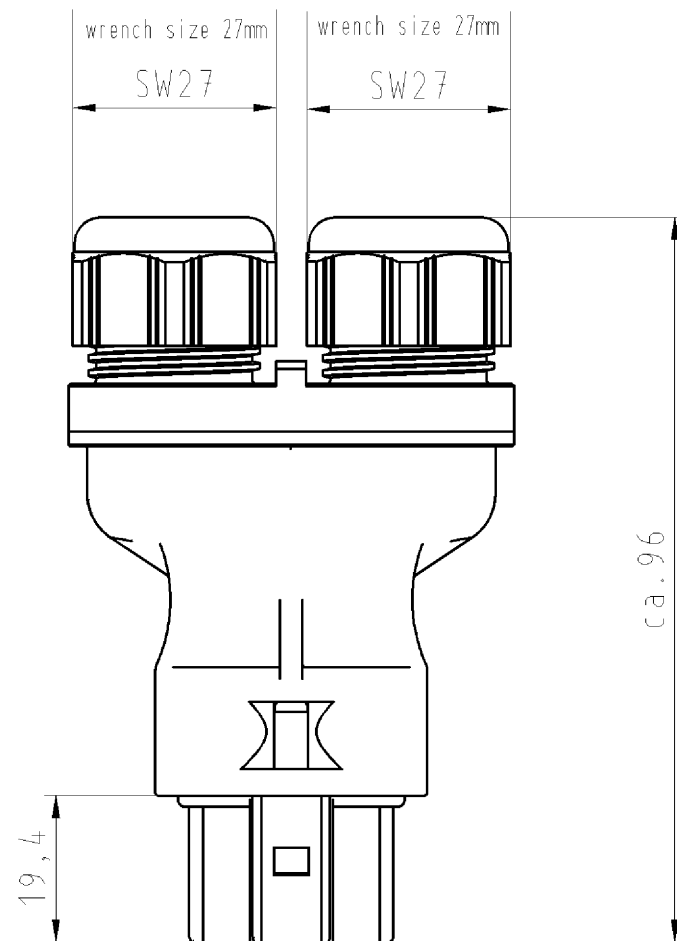
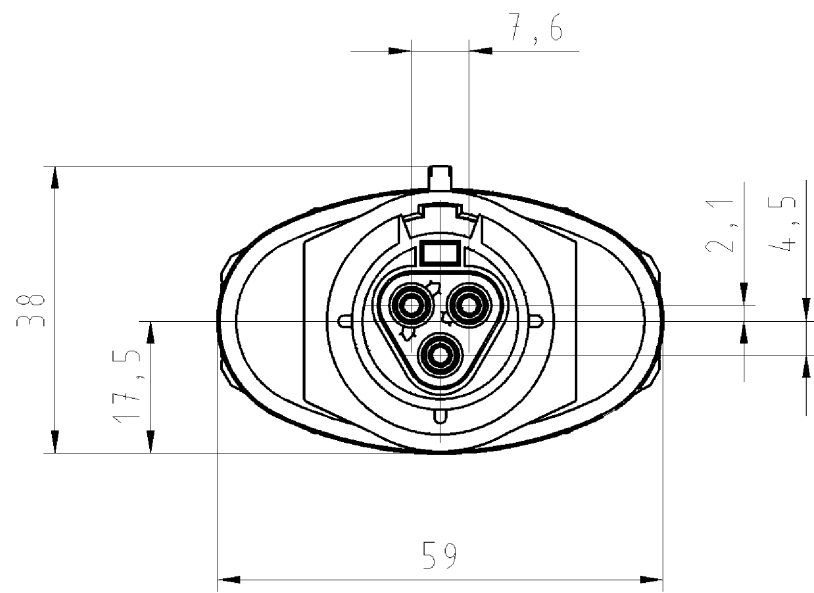
Commercial Art.No.:	Article-type description:	Description:
99.414.6205.2	Cover for female connector SW	RST20i3/2 cover piece, for covering unused female connectors, with fastening belt, color schwarz
Z5.564.4553.1	Cover for female connector SW	RST20i3/2 cover piece, for covering unused female connectors, color black

Fits with

Commercial Art.No.:	Article-type description:	Description:

96.030.0153.1	Distributor RST20I3V 3P1 F V SW	RST20i3 distribution block, 3 pole, application 250V with PE, 20A, 1 input and 3 outputs, with fastening option, coding color black, color of housing black
96.032.4253.1	Connector RST20I3S S1 ZRX V SW	RST 20i3 splitter connector, 3 pole, male, screw connection, application 250V with PE, 20A, for cable diameters 6-10mm, coding color black, color of housing black
96.032.5053.1	Device connector RST20I3S S1 M01V SW	RST20i3 device connector M25, 3 pole, male, screw connection, application 250V with PE, 20A, coding color black
96.032.6153.1	Device connector RST20I3S S1 M03V SW	RST20i3 device connector M16, 3 pole, male, screw connection, modular, application 250V with PE, 20A, coding color black, color of housing black
96.032.6053.1	Device connector RST20I3S S1 M00V SW	RST20i3 device connector M20, 3 pole, male, screw connection, modular, application 250V with PE, 20A, coding color black, color of housing black
96.034.6053.1	Device connector RST20I3S S1 M90V SW	RST20i3 device connector (90° angled) M20, 3 pole, male, screw connection, modular, application 250V with PE, 20A, coding color black, color of housing black
96.036.6153.1	Device connector RST20I3S S1 M13V SW	RST20i3 device connector (7° angled) M16, 3 pole, male, screw connection, modular, application 250V with PE, 20A, coding color black, color of housing black

Schnitt A-A
section A-A



Verpackungseinheit: je 100 Stk.
packaging unit: per 100

Teile-Nr./ part-nr.	Farbe:/ color:	Einz.-Tl.-Nr.: *)/ single-part-nr.:*)	Freitoleranz nach			CAD - Zeichnung, keine manuellen Änderungen			1. Verwendung: -		Bl.: 1 von 1	
96.031.4253.1	schwarz, ähnl. RAL 9005/ black, similar to RAL 90051	Maßstab	Werkstoff und Oberfläche: material and surface: Farbe: siehe Tabelle color: look table	2004	Tag	Name	Zeichnung Nr.		Index		
96.031.4253.0	lichtgrau, ähnl. RAL 7035/ lightgrey, similar to RAL 70350	1:1		Entworfen	27.02.	Kneitz	T		96.031.4253.0 01K a		
			Vol.	mm ³	Offl.	mm ²	Normgepr.	Ersatz für: -				
			wieland Elektrische Verbindungen			Type RST2013 S B1 ZRX V		Benennung BUCHSENTEIL MIT DOPPELZUGENTL female connector with double cord grip screw-connection/Schraubanschluß				
			Buchstabe	Datum / Blatt	Änderung							

○ Diese Maße werden bei Abnahme besonders geprüft
 ○ Ausschließlich Prüfmaße
 ○ MTL/Æ Rekanzeichnete Maße sind nur für interne Zwecke gültig

Weitergabe sowie Vervielfältigung dieses Dokuments, Verwertung und Mitteilung seines Inhalts sind verboten, soweit nicht ausdrücklich gestattet. The reproduction, distribution and utilization of this document as well as the communication of its contents to others without express authorization is prohibited.