

Data sheet

Art.No.: 92.042.3353.0

Device connector GST18i4S S1 WS

Device connectors, built-in components, GST18i4, 4 pole, female, screw connection, 250/400 V, 20 A, colour of coding: white

10110110100010100101011101
0100110110010110100101010
101001101100111001010010
10101001101100111001010010
1101010011011001011010010
1010101001010110101010010
10101010010101101010011

**DIGITALIZATION
IN PROGRESS**

Art.No.	92.042.3353.0
EAN	4015573545939
Order Unit	1

Certificates / Approvals



Technical data

General

Rated current	20 A
Rated voltage	250 V / 400 V
Pollution degree	2
Mechanical coding	Code 1
Rated impulse voltage	4 kV
Lockable	self-locking (unlocking by tool)
Color of coding/ contact carrier	white
Marking of poles	2, N, PE, 1

Connection Data

Connection cross section solid mm ² max.	4 mm ²
Connection cross section solid mm ² min.	0.75 mm ²
Connection cross section fine stranded mm ² max.	4 mm ²
Connection cross section fine stranded mm ² min.	0.75 mm ²
Terminations per pole	1
Wire strip length	7 mm

Model

Model	male
Connection type	Screw connection
Angle of plug	straight
Degree of protection (IP)	IP20
Remark to type of connection	Fine stranded wires 4 mm ² only without ferrules
built-in component	Built-in component/connector

Material

Housing material	Polyamide
halogen free	Yes

Contact material	CuZn
Fire load	0.049 kWh
Insulation components continuous temperature	100 °C
Surface finish	Tin-plated

Dimensions

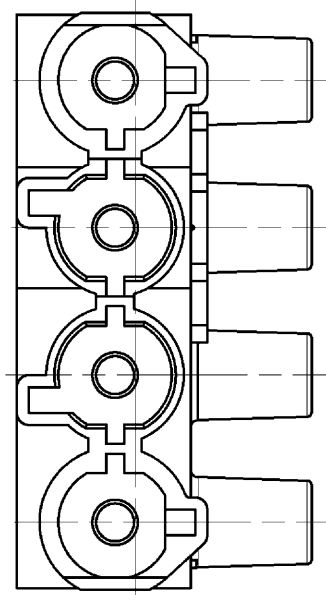
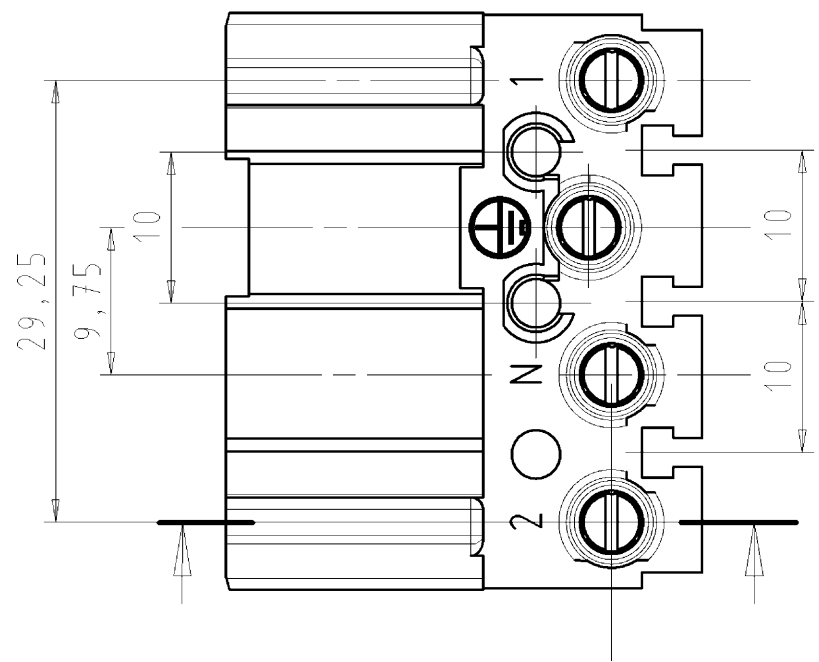
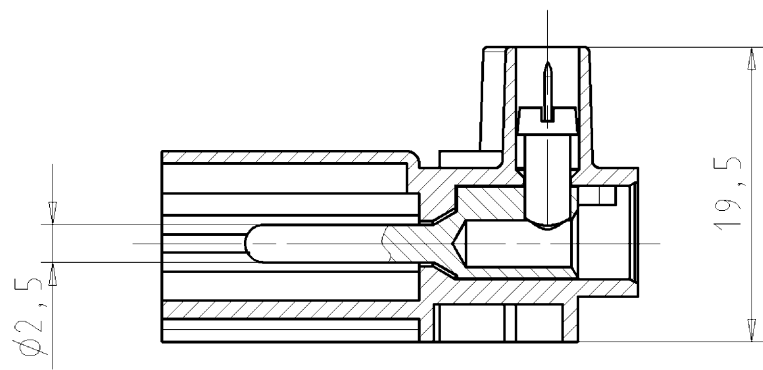
Length	31.5 mm
Width	38 mm
Height	19.5 mm

Classification

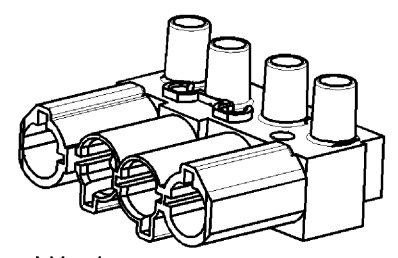
ECLASS 8.1	27440602
ETIM 7.0	EC002566
ETIM 6.0	EC002566
ETIM 5.0	EC002566
ETIM 4.0	EC002566

These dimensions will be especially checked at delivery
 Only inspection dimensions
 With /E marked dimensions are only valid for internal use

Diese Maße werden bei Abnahme besonders geprüft
 Ausschließlich Prüfmaße
 Mit /E gekennzeichnete Maße sind nur für interne Zwecke gültig



Weitere Daten siehe Katalog
 further data see catalog



M1:1

Teile-Nr. part-no.	Farbe colour
92.042.3353.0	weiß/white
92.042.3353.1	schwarz/black

Tolerierung Size ISO 14405(☉)/Tolerance system Size ISO 14405(☉).
 (This ISO-standard describes the envelope principle. According to the envelope principle the deviations of form and parallelism are limited by the size tolerances).
 ja/yes ☑ Stoffverbots- und Deklarationsliste nach UU-TQM-05/03 ist einzuhalten.
 Conformity with Wieland document UU-TQM-05/03 (list of prohibited / declarable hazardous substances) to be declared!

Freitoleranz nach General tolerance CAD - Zeichnung, keine manuellen Änderungen CAD - drawing, no manual modifications allowed I.Verwendung: - First Use: - Blatt: 1 von 1 Sheet: 1 of 1

 Maßstab/Scale 2:1	Werkstoff/Material Vol. mm ³ Oil./Surf. mm ²	2004 Tag/Date	Name	Zeichnung Nr./Drawing No. T 92.042.3353.0 01K a	Index a
		gezeichnet drawn 14.07. geprüft checked - Normgepr. Stand., check -	Schmitt J.		
Änderung/Revision a 02.01.2013/ Datum / Blatt Date / Sheet	 wieland Elektrische Verbindungen	Type	Benennung/Tittle	male connector STECKERTEIL Schraubanschluss/ screw connection 250/400V AC, 20A, 2,5qmm	

Weitergabe sowie Vervielfältigung dieses Dokuments, Verwertung und Mitteilung seines Inhalts sind verboten, soweit nicht ausdrücklich gestattet. Die Reproduktion, Distribution und Utilization of this document as well as the communication of its contents to others without express authorization is prohibited.

920423353001K_2 CADW3028 Treschan 2013-01-03 1009:17:06 1.000