

Data sheet

Art.No.: 70.350.1035.0

Hood BAS GOT GA 10 M20 A0

revos BASIC size 10 hood with cable gland M20, lateral cable entry, double locking lever

1011011010001010010101101
0100110110010110100101010
101001101100111001010010
10101010010101010101010
1101010011011001011010010
10101010010101101010011

**DIGITALIZATION
IN PROGRESS**

Art.No.	70.350.1035.0
EAN	4015573616776
Order Unit	1

Certificates / Approvals



Technical data

General

Housing material	Aluminium
Color	Grey
Surface	With powder coating
Degree of protection (IP)	IP54
UV resistant	Yes
Inflammability class of insulation material acc. with UL94	Other
Operating temperature range min.	-40 °C
Operating temperature range max.	120 °C

Model

Construction	10
Model	male
Locking mechanism	Double locking levers
Cable entry	Sideways
Type of cable	Gland nut
With cable screw gland	Yes
Thread size M	20
Thread size PG	
Hinged lid	No
EMC-version	No
Length	73 mm
Width	43 mm
Height	53 mm

Classification

ECLASS 8.1	27440202
ETIM 7.0	EC000437
ETIM 6.0	EC000437

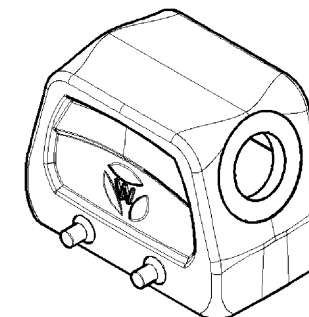
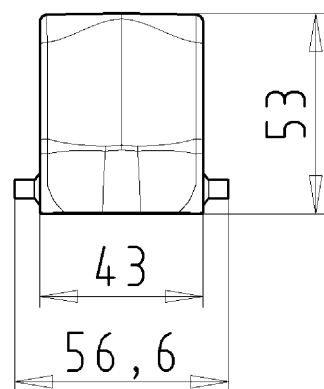
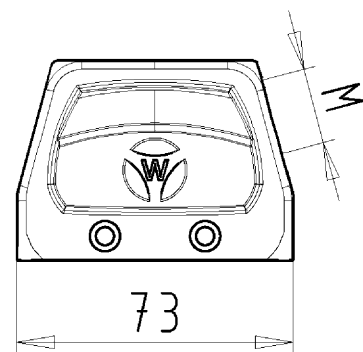
ETIM 5.0	EC000437
ETIM 4.0	EC000437
ETIM 3.0	EC000437

Fits with

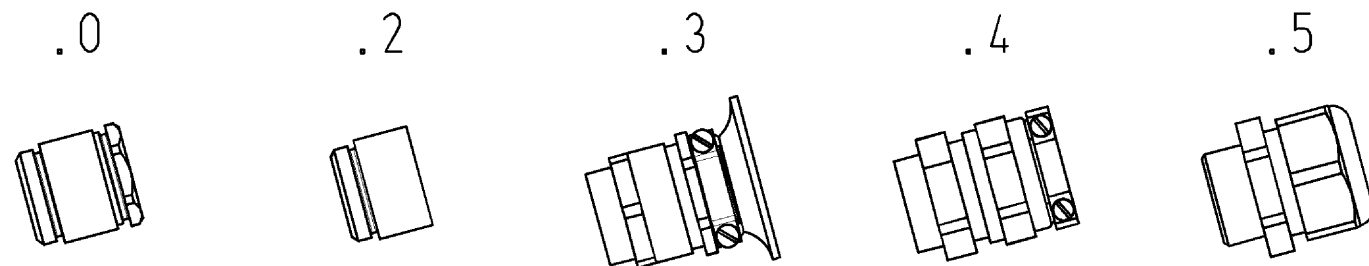
Art.No.:	Article/type description:	Description:
70.372.1035.0	Hood BAS GOT GK 10 M20 A0	revos BASIC size 10 hood for cable-to-cable couplings with cable gland M20, top cable entry, double locking lever
70.372.1035.1	Hood BAS GOT GK 10 M20 A1	revos BASIC size 10 hood for cable-to-cable couplings with threaded collar M20, top cable entry, double locking lever
70.320.1028.0	Bottom BAS GUT GA 10 A	revos BASIC size 10 open-bottom bases, double locking lever
70.330.1035.0	Bottom BAS GUT GB 10 M20 A0	revos BASIC size 10 closed-bottom base with 2 cable glands M20, double locking lever
70.330.1035.1	Bottom BAS GUT GB 10 M20 A1	revos BASIC size 10 closed-bottom base with 2 threaded collars M20, double locking lever
70.331.1035.0	Bottom BAS GUT GC 10 M20 A0	revos BASIC size 10 closed-bottom base with cable gland M20, left, double locking lever
70.331.1035.1	Bottom BAS GUT GC 10 M20 A1	revos BASIC size 10 closed-bottom base with threaded collar M20, left double locking lever
70.333.1035.0	Bottom BAS GUT GD 10 M20 A0	revos BASIC size 10 closed-bottom base with cable gland M20, bottom, double locking lever
70.333.1035.1	Bottom BAS GUT GD 10 M20 A1	revos BASIC size 10 closed-bottom base with threaded collar M20, bottom, double locking lever
70.335.1035.0	Bottom BAS GUT GC 10 M25 50 A0	revos BASIC size 10 closed-bottom base with cable gland M32, left, double locking lever
70.335.1035.1	Bottom BAS GUT GC 10 M25 A1	revos BASIC size 10 closed-bottom base with threaded collar M32, left, double locking lever
73.330.1035.0	Bottom BAS GUT GB 10HM25 50 A0	revos BASIC size 10H closed-bottom base with 2 cable glands M25, high design, double locking lever
73.330.1035.1	Bottom BAS GUT GB 10HM25 50 A1	revos BASIC size 10H closed-bottom base with 2 threaded collars M25, high design, double locking lever
73.331.1035.0	Bottom BAS GUT GC 10HM25 50 A0	revos BASIC 500V size 10H closed-bottom base with cable gland M25, left, high design, double locking lever
73.331.1035.1	Bottom BAS GUT GC 10HM25 50 A1	revos BASIC 500V size 10H closed-bottom base with threaded collar M25, left, high design, double locking lever
73.334.1035.0	Bottom BAS GUT GB 10HM32 50 A0	revos BASIC size 10H closed-bottom base with 2 cable glands M32, high design, double locking lever
73.334.1035.1	Bottom BAS GUT GB 10HM32 50 A1	revos BASIC size 10H closed-bottom base with 2 threaded collars M32, left, high design, double locking lever
73.335.1035.0	Bottom BAS GUT GC 10HM32 50 A0	revos BASIC size 10H closed-bottom base with cable gland M32, left, high design, double locking lever
73.335.1035.1	Bottom BAS GUT GC 10HM32 50 A1	revos BASIC size 10H closed-bottom base with threaded collar M32, left, high design, double locking lever

These dimensions will be especially checked at delivery
 Only inspection dimensions
 With ±E marked dimensions are only valid for internal use

Diese Maße werden bei Abnahme besonders geprüft
 Ausschließlich Prüfmaße
 Mit ±E gekennzeichnete Maße sind nur für interne Zwecke gültig



Varianten/ Variants



70.35 ³ ₀ .1035.5	BAS GOT GA 10	M25 M20	A 5	Kabelverschraubung(KV), IP65 /Cable gland(CG), IP65	
70.35 ³ ₀ .1035.4	BAS GOT GA 10	M25 M20	A 4	KV mit Zugentlastung, IP54 /CG with strain relief, IP54	
70.35 ³ ₀ .1035.3	BAS GOT GA 10	M25 M20	A 3	KV mit Zugentlastung und Knickschutz, IP54 /CG with strain relief and bend support, IP54	
70.35 ³ ₀ .1035.2	BAS GOT GA 10	M25 M20	A 2	Zwischenstützen /Bushing	
70.35 ³ ₀ .1035.1	BAS GOT GA 10	M25 M20	A 1	Gewindebohrung /Thread hole	X
70.35 ³ ₀ .1035.0	BAS GOT GA 10	M25 M20	A 0	Kabelverschraubung(KV), IP54 /Cable gland(CG), IP54	
Bestellnummer /Order number	Typ /Type		Varianten /Variants		der- gestellt /drawn

Weitere Daten siehe KATALOG oder eKatalog.
 Additional data see CATALOG or eCatalog.
www.wieland-electric.com
eshop.wieland-electric.com

Tolerierung Size ISO 14405 (E)/Tolerance system Size ISO 14405 (E).
 (This ISO-standard describes the envelope principle. According to the envelope principle the deviations of form and parallelism are limited by the size tolerances).

ja/yes Stoffverbots- und Deklarationsliste nach UU-TOM-05/03 ist einzuhalten.
 Conformity with Wieland document UU-TOM-05/03 (list of prohibited / declarable hazardous substances) to be declared!

Freitoleranz nach General tolerance CAD - Zeichnung, keine manuellen Änderungen CAD - drawing, no manual modifications allowed 1. Verwendung: - First Use: - Blatt: 1 von 1 Sheet: of 1

Werkstoff/Material Aluminium beschichtet/ coated grau/ grey	2013 Tag/Date 20.08. Name Treschan	T	Zeichnung Nr./Drawing No. 70.350.1035.0 13K	Index	
Maßstab/Scale 1:2	gezeichnet/drawn geprüft/checked Normgepr. Stand. check				
Maße in mm/Dimensions are in mm					
Ersatz für/Replacement for: -					
wieland Elektrische Verbindungen		Type revos BASIC	Benennung/Titel GEHAEUSEOBERTE IL		
Index Datum / Blatt Date / Sheet		Baugröße 10-Kabelabgang seitlich-M20/M25 Hood size 10-cable outlet side-M20/M25			
Änderung/Revision					

Weitergabe sowie Vervielfältigung dieses Dokuments, Verwertung und Mitteilung seines Inhalts sind verboten, soweit nicht ausdrücklich gestattet.
 The reproduction, distribution and utilization of this document as well as the communication of its contents to others without express authorization is prohibited.

703501035013K_2 CADW/3026 Treschan 2013-09-201084838 1.000