

## Data sheet

Art.No.: 70.330.1035.0

Bottom BAS GUT GB 10 M20 A0

revos BASIC size 10 closed-bottom base with 2 cable glands M20, double locking lever



Art.No.	70.330.1035.0
EAN	4015573623866
Order Unit	1

Certificates / Approvals



## Technical data

### General

Housing material	Aluminium
Color	Grey
Surface	With powder coating
Degree of protection (IP)	IP54
UV resistant	Yes
Inflammability class of insulation material acc. with UL94	Other
Operating temperature range min.	-40 °C
Operating temperature range max.	120 °C

### Model

Construction	10
Model	Surface mounting (base)
Locking mechanism	Double locking levers
Cable entry	Two-sided
Type of cable	Gland nut
With cable screw gland	Yes
Thread size M	20
Thread size PG	
Hinged lid	No
EMC-version	No
Length	94 mm
Width	52 mm
Height	55 mm

### Classification

ECLASS 8.1	27440202
ETIM 7.0	EC000437
ETIM 6.0	EC000437

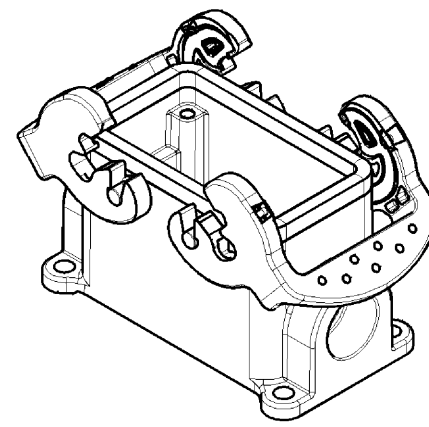
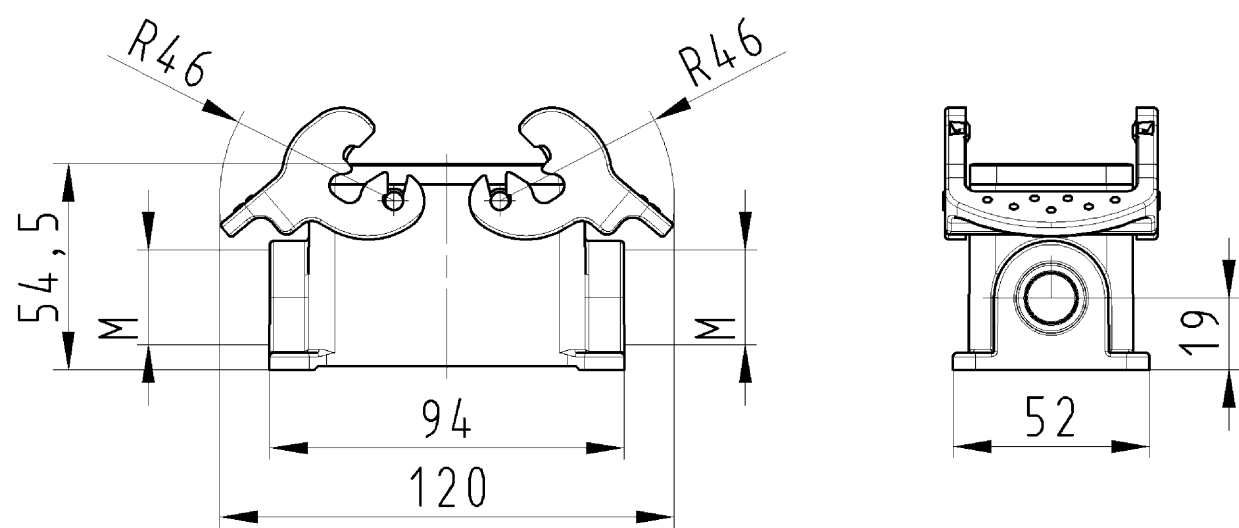
ETIM 5.0	EC000437
ETIM 4.0	EC000437

## Fits with

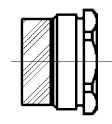
Art.No.:	Article/type description:	Description:
70.350.1035.0	Hood BAS GOT GA 10 M20 A0	revos BASIC size 10 hood with cable gland M20, lateral cable entry, double locking lever
70.350.1035.1	Hood BAS GOT GA 10 M20 A1	revos BASIC size 10 hood with threaded collar M20, lateral cable entry, double locking lever
70.350.1035.2	Hood BAS GOT GA 10 M20 A2	revos BASIC size 10 hood with intermediate support M20, lateral cable entry, double locking lever
70.352.1035.0	Hood BAS GOT GC 10 M20 A0	revos BASIC size 10 hood with cable gland M20, top cable entry, double locking lever
70.352.1035.1	Hood BAS GOT GC 10 M20 A1	revos BASIC size 10 hood with threaded collar M20, top cable entry, double locking lever
70.352.1035.2	Hood BAS GOT GC 10 M20 A2	revos BASIC size 10 hood with intermediate support M20, top cable entry, double locking lever
70.353.1035.0	Hood BAS GOT GA 10 M25 A0	revos BASIC size 10 hood with cable gland M25, lateral cable entry, double locking lever
70.353.1035.1	Hood BAS GOT GA 10 M25 A1	revos BASIC size 10 hood with threaded collar M25, lateral cable entry, double locking lever
70.353.1035.2	Hood BAS GOT GA 10 M25 A2	revos BASIC size 10 hood with intermediate support M25, lateral cable entry, double locking lever
70.354.1035.0	Hood BAS GOT GC 10 M25 A0	revos BASIC size 10 hood with cable gland M25, top cable entry, double locking lever
70.354.1035.1	Hood BAS GOT GC 10 M25 A1	revos BASIC size 10 hood with threaded collar M25, top cable entry, double locking lever
70.354.1035.2	Hood BAS GOT GC 10 M25 A2	revos BASIC size 10 hood with intermediate support M25, top cable entry, double locking lever
73.350.1035.0	Hood BAS GOT GA 10HM25 50 A0	revos BASIC size 10H hood with cable gland M25, lateral cable entry, high design, double locking lever
73.350.1035.1	Hood BAS GOT GA 10HM25 50 A1	revos BASIC size 10H hood with threaded collar M25, lateral cable entry, high design, double locking lever
73.351.1035.0	Hood BAS GOT GB 10H M20 A0	
73.351.1035.1	Hood BAS GOT GB 10H M20 A1	
73.352.1035.0	Hood BAS GOT GC 10HM25 50 A0	revos BASIC size 10H hood with cable gland M25, top cable entry, high design, double locking lever
73.352.1035.1	Hood BAS GOT GC 10HM25 50 A1	revos BASIC size 10H hood with threaded collar M25, top cable entry, high design, double locking lever
73.353.1035.0	Hood BAS GOT GA 10HM32 50 A0	revos BASIC size 10H hood with cable gland M32, lateral cable entry, high design, double locking lever
73.353.1035.1	Hood BAS GOT GA 10HM32 50 A1	revos BASIC size 10H hood with threaded collar M32, lateral cable entry, high design, double locking lever
73.354.1035.0	Hood BAS GOT GC 10HM32 50 A0	revos BASIC size 10H hood with cable gland M32, top cable entry, high design, double locking lever
73.354.1035.1	Hood BAS GOT GC 10HM32 50 A1	revos BASIC size 10H hood with threaded collar M32, top cable entry, high design, double locking lever

These dimensions will be especially checked at delivery  
 Only inspection dimensions  
 With ±E marked dimensions are only valid for internal use

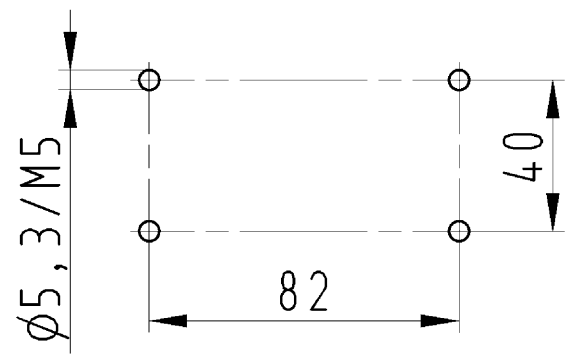
Diese Maße werden bei Abnahme besonders geprüft  
 Ausschließliche Prüfmaße  
 Mit ±E gekennzeichnete Maße sind nur für interne Zwecke gültig



Varianten/Variants  
 .0



70.330.1035.1	BAS GUT GB 10 M25 A 1	Gewindebohrung / Thread hole	X
70.330.1035.0	BAS GUT GB 10 M25 A 0	Kabelverschraubung(KV), IP54 montiert / Cable gland(CG), IP54 assembled	
Bestellnummer / Order number	Typ / Type	Varianten / Variants	der-gestellt / drawn
Weitere Daten siehe KATALOG oder eKatalog. Additional data see CATALOG or eCatalog.		www.wieland-electric.com eshop.wieland-electric.com	



Bohrbild / Cut out

Tolerierung Size ISO 14405/Tolerance system Size ISO 14405. (This ISO-standard describes the envelope principle. According to the envelope principle the deviations of form and parallelism are limited by the size tolerances).		ja/yes <input checked="" type="checkbox"/> Stoffverbots- und Deklarationsliste nach UU-TQM-05/03 ist einzuhalten. Conformity with Wieland document UU-TQM-05/03 (list of prohibited / declarable hazardous substances) to be declared!	
Freitoleranz nach General tolerance		CAD - Zeichnung, keine manuellen Änderungen CAD - drawing, no manual modifications allowed	1. Verwendung: - First Use:
Blatt: 1 von 1 Sheet: of 1		Zeichnung Nr./Drawing No. Index	
T 70.330.1035.0 13K		Maße in mm/Dimensions are in mm	
Werkstoff/Material Aluminium beschichtet/coated grau/grey		2013 Tag/Date Name gezeichnet/drawn 02.05. Treschan	
Maßstab/Scale 1:2		geprüft/checked - -	
Vol. mm³		Normgepr. Stand. check - -	
wieland Elektrische Verbindungen		Ersatz für/Replacement for: -	
Index Datum / Blatt Date / Sheet		Type revos BASIC	Benennung/Titel GEHAEUSEUNTERTEIL
Änderung/Revision		Baugröße 10-Kabelabgang 2x M20/M25 Housing size 10-cable outlet 2x M20/M25	

Weitergabe sowie Vervielfältigung dieses Dokuments, Verwertung und Mitteilung seines Inhalts sind verboten, soweit nicht ausdrücklich gestattet.  
 The reproduction, distribution and utilization of this document as well as the communication of its contents to others without express authorization is prohibited.

703301035013K\_2 CADW/3028 Treschan 2013-09-201112103 1.000