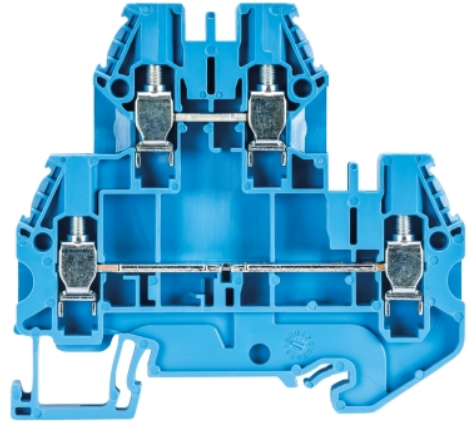


Data sheet

Commercial Art.No.: 58.504.7055.6

Multi-tier terminal WT 4 E BL

Duo Feed-through terminal with Screw connection for mounting on TS 35, nominal cross section: 4 mm², width: 6 mm, color: blue



| | |
|--------------------|---------------|
| Commercial Art.No. | 58.504.7055.6 |
| EAN | 4049088164422 |
| Order Unit | 100 |

Certificates / Approvals



SEV-Ex



Technical data

General

| | |
|--|-------------------------|
| Nominal cross section | 4 mm ² |
| Color | Blue |
| Number of levels | 2 |
| Number of clamp positions per level | 2 |
| Width/grid dimension | 6 mm |
| Insulating housing | PA666 |
| Inflammability class of insulation material acc. with UL94 | V0 |
| Mounting method | DIN rail (top hat rail) |
| Terminal blocks for electrical installations | No |

Technical data

| | |
|-----------------------------|---------------|
| Rated current | 32 A |
| Rated voltage | 800 V |
| Rated impulse voltage | 8 kV |
| Pollution degree | 3 |
| Closing plate required | Yes |
| Type of insulation material | Thermoplastic |
| Length | 73 mm |

Connection Data

| | |
|-----------------------------|----------------------|
| Connection type 1 | Screw connection |
| Connection type 2 | Screw connection |
| Minimum cross section solid | 0.14 mm ² |

| | |
|---|----------------------|
| Maximum cross section solid | 6 mm ² |
| Minimum cross section fine stranded | 0.14 mm ² |
| Maximum cross section fine stranded | 6 mm ² |
| Minimum conductor cross section (flex., stranded) with cable end sleeve | 0.5 mm ² |
| Maximum conductor cross section (flex., stranded) with cable end sleeve | 4 mm ² |
| Wire strip length | 9 mm |
| Torque conductor mounting | 0.5 Nm |

Technical Data UL/CSA

| | |
|------------------------|-----------|
| Cross section UL | 26-10 AWG |
| Voltage UL | 300 V |
| Current factory wiring | 30 A |
| Current field wiring | 30 A |
| Cross section CSA | 26-10 AWG |
| Voltage CSA | 300 V |
| Current CSA | 30 A |

Classification

| | |
|------------|----------|
| ECLASS 8.1 | 27141120 |
| ETIM 7.0 | EC000897 |
| ETIM 6.0 | EC000897 |
| ETIM 5.0 | EC000897 |
| ETIM 4.0 | EC000897 |
| ETIM 3.0 | EC000897 |

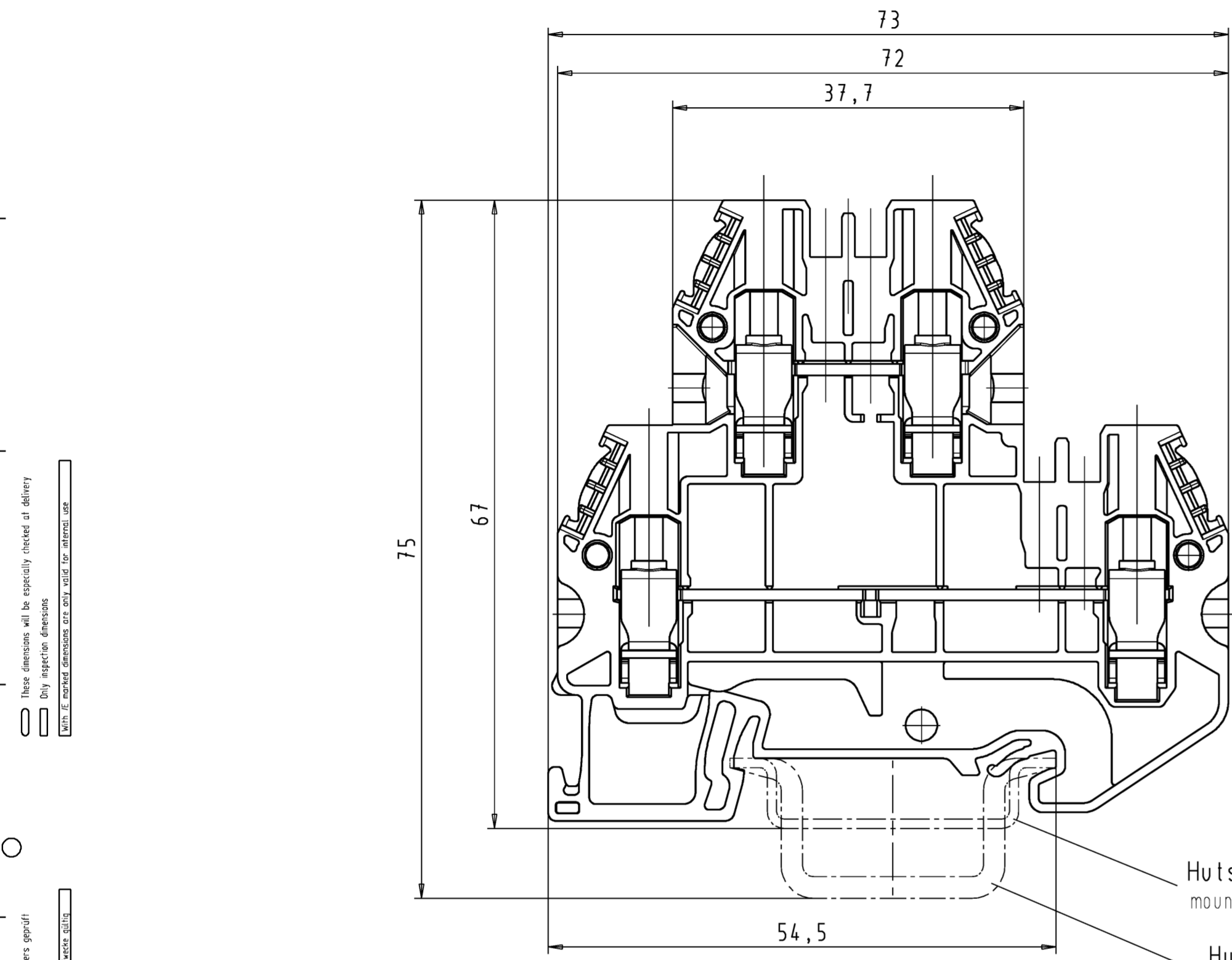
Product compliance

| | |
|------------------------------|-----------|
| ROHS conformity status | compliant |
| REACH-SVHC conformity status | compliant |

Accessories

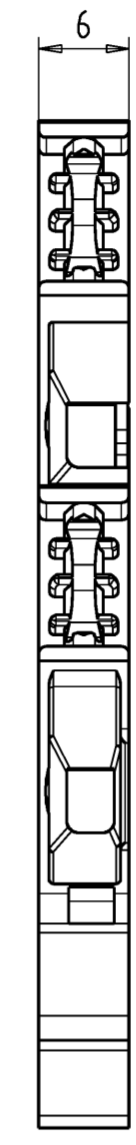
| Commercial Art.No.: | Article-type description: | Description: |
|---------------------|---------------------------|---|
| Z7.261.1227.0 | Jumper bar IVB WKF 4 - 2 | Cross connector, insulated for DIN rail terminal blocks type WKF..., 2 - pole |
| Z7.261.1327.0 | Jumper bar IVB WKF 4 - 3 | Cross connector, insulated for DIN rail terminal blocks type WKF..., 3 - pole |
| Z7.261.1427.0 | Jumper bar IVB WKF 4 - 4 | Cross connector, insulated for DIN rail terminal blocks type WKF..., 4 - pole |
| Z7.261.1527.0 | Jumper bar IVB WKF 4 - 5 | Cross connector, insulated for DIN rail terminal blocks type WKF..., 5 - pole |
| Z7.261.1627.0 | Jumper bar IVB WKF 4 - 6 | Cross connector, insulated for DIN rail terminal blocks type WKF..., 6 - pole |
| Z7.261.1727.0 | Jumper bar IVB WKF 4 - 7 | Cross connector, insulated for DIN rail terminal blocks type WKF..., 7 - pole |
| Z7.261.1827.0 | Jumper bar IVB WKF 4 - 8 | Cross connector, insulated for DIN rail terminal blocks type WKF..., 8 - pole |
| Z7.261.1927.0 | Jumper bar IVB WKF 4 - 9 | Cross connector, insulated for DIN rail terminal blocks type WKF..., 9 - pole |

| | | |
|---------------|--|--|
| Z7.261.2027.0 | Jumper bar IVB WKF 4 - 10 | Cross connector, insulated for DIN rail terminal blocks type WKF..., 10 - pole |
| 98.300.0000.0 | Mounting rail TS 35x7,5 UNPERF - l:2000mm | Mounting rail TS 35, unslotted, size 7,5 mm, length 2 m, material steel. galv. zinc-plated and dichromated |
| 98.300.1000.0 | Mounting rail TS 35x7,5 PERF 15mm - l:2000mm | Mounting rail TS 35, slotted, size 7,5 mm, length 2 m, material steel. galv. zinc-plated and dichromated |
| 98.300.1900.0 | Mounting rail TS 35x7,5 PERF 25mm - l:2000mm | Mounting rail TS 35, slotted, size 7,5 mm, length 2 m, material steel. galv. zinc-plated and dichromated |
| 98.360.0000.0 | Mounting rail TS 35x15-2,3 UNPERF - l:2000mm | Mounting rail TS 35, unslotted, size 15 mm, length 2 m, material steel. galv. zinc-plated and dichromated |
| 98.360.0004.0 | Mounting rail TS 35x15-2,3 UNPERF FZN - l:2000mm | Mounting rail TS 35, unslotted, size 15 mm, length 2 m, material steel, hot galvanized |
| 98.370.0000.0 | Mounting rail TS 35x15 UNPERF - l:2000mm | Mounting rail TS 35, unslotted, size 15 mm, length 2 m, material steel. galv. zinc-plated and dichromated |
| 98.370.1000.0 | Mounting rail TS 35x15 PERF 15mm - l:2000mm | Mounting rail TS 35, slotted, size 15 mm, length 2 m, material steel. galv. zinc-plated and dichromated |
| 98.380.0000.0 | Mounting rail TS 35x15-2,3 UNPERF CU - l:2000mm | Mounting rail TS 35, unslotted, size 15 mm, length 2 m, material E copper |
| Z1.299.9753.0 | Test plug PS WKC/F OB | Test plug with tension spring connection for DIN rail terminal blocks, for 2.5mm ² and 5mm wide resp. 4mm ² and 6mm wide |
| 07.313.2855.0 | Partition TW WT 4... GR | Partition for DIN rail terminal blocks type WT 16, grey |
| 07.313.3355.0 | End plate AP WT 4 E GR | End plate for DIN rail terminal blocks type WT 4 E..., color: grey |
| Z5.522.7453.0 | End bracket 9708 / S35 | End clamp for mounting rail TS 35 |
| Z5.522.8553.0 | End bracket 9708 / 2 S 35 | End clamp for mounting rail TS 35 |
| Z5.523.5653.0 | End bracket WE 2/U | End clamp for mounting rail TS 35 and TS 32 |
| Z5.523.5753.0 | End bracket WE 1/U | End clamp for mounting rail TS 35 and TS 32 |
| Z5.523.9353.0 | End bracket WEF 1/35 | End clamp for mounting rail TS 35 |

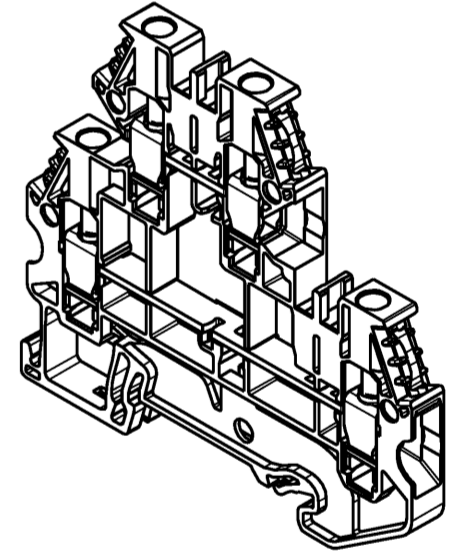


Hutschiene EN 60715-35x7,5
mounting rail EN 60715-35x7,5

Hutschiene EN 60715-35x15
mounting rail EN 60715-35x15



M/scale 1:1



| Teile-Nr./part no. | Farbe/color | Typ/type |
|---|-------------------------|-----------|
| 58.504.7055.0 | grau/grey | WT 4 E |
| ⑥ 58.504.7055.3 | schiefergrau/slate grey | WT 4 E GR |
| 58.504.7055.5 | rot/red | WT 4 E RT |
| 58.504.7055.6 | blau/blue | WT 4 E BL |
| 58.504.7055.9 ohne UL-;CSA- und ATEX-Kennzeichnung without UL-;CSA- and ATEX-sign | orange/orange | WT 4 E OR |

Weitere Daten siehe KATALOG oder eKatalog
additional data see CATALOG or eCATALOG

www.wieland-electric.com
eshop.wieland-electric.com

Tolerierung Size ISO 14405 © / Tolerance system Size ISO 14405 ©
(This ISO-standard describes the envelope principle. According to the envelope principle the deviations of form and parallelism are limited by the size tolerances)

ja/yes Stoffverbot- und Deklarationsliste nach WN 5020.010 ist einzuhalten.
(Conformity with Wieland document WN 5020.010 e (list of prohibited / declarable hazardous substances) to be declared!)

Freitoleranz nach General tolerance CAD - Zeichnung, keine manuellen Änderungen CAD - drawing, no manual modifications allowed 1. Verwendung: First Use: Blatt: 1 von 1 Sheet: 1 of 1

| | | | | |
|----------------------------------|-----------------------------------|------------|-----------------------------|-------|
| Werkstoff / Material | Tag/Date | Name | Zeichnung Nr. / Drawing No. | Index |
| gezeichnet / drawn | 18.01.2013 | Schmitt J. | T 58.504.7055.0 01K | b |
| geprüft / checked | | | | |
| Maßstab / Scale | Maße in mm / Dimensions are in mm | | | |
| 2:1 | | | | |
| Vol. mm³ / Dfl./Srf. mm² | Ersatz für / Replacement for: | | | |
| b 22.03.2017 / | Type | | | |
| a 16.03.2015 / | Benennung/Title | | | |
| Index Datum / Blatt Date / Sheet | ETAGENKLEMME | | | |
| Änderung / Revision | double deck terminal block | | | |

wieland
www.wieland-electric.com

These dimensions will be especially checked at delivery
Only inspection dimensions
With these dimensions are only valid for internal use

Diese Maße werden bei Abnahme besonders geprüft
Ausdrücklich Prüfmaße
Mit diesen Maßen sind nur für interne Zwecke gültig

Weitere sowie Verfertigung dieses Dokuments, Verwertung und Mitteilung seines Inhalts sind verboten, soweit nicht ausdrücklich gestattet.
The reproduction, distribution and utilization of this document as well as the communication of its contents to others without express authorization is prohibited.